



Specifications

Electrical Ratings	50mA @ 12VDC	Dielectric Strength	250Vrms min
Electrical Life	500,000 cycles typical	Insulation Resistance	>100MΩ min @ 250VDC
Contact Resistance	<50mΩ initial	Operating Temperature	-40°C to 85°C
Actuation Force	160 ± 50gF; 250 ± 100gF;	Storage Temperature	-40°C to 85°C
Actuation Travel	.15 ± .05mm	Packaging	10K pieces per reel

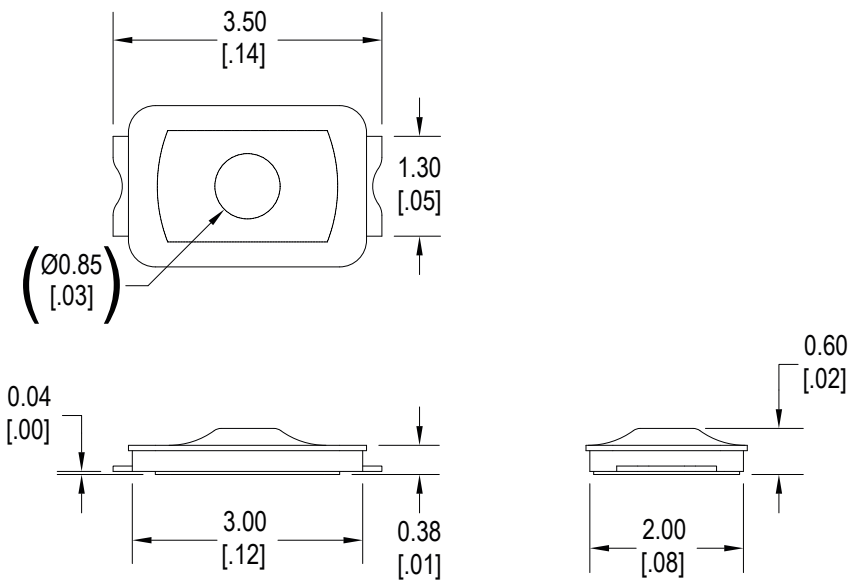
Materials

Actuator	LCP
Housing	LCP
Tape	Polyamide
Dome Contact	Stainless Steel, Silver Plated
Contacts/Terminals	Copper Alloy, Silver Plated

Ordering Information

1. Series	CS1219	F160
CS1219		
2. Actuator Force		
F160 = 160gF		
F250 = 250gF		
F320 = 320gF		

Dimensions



Schematic & PC Layout

