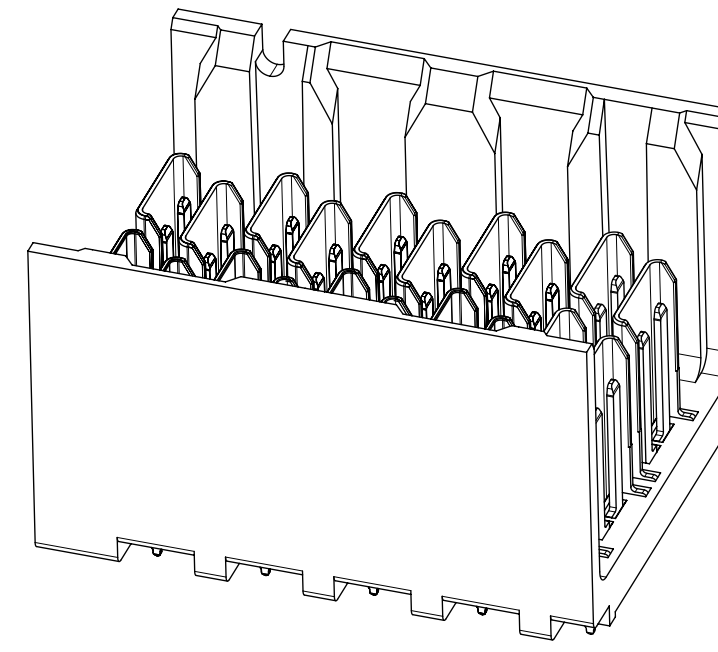


NOTES:

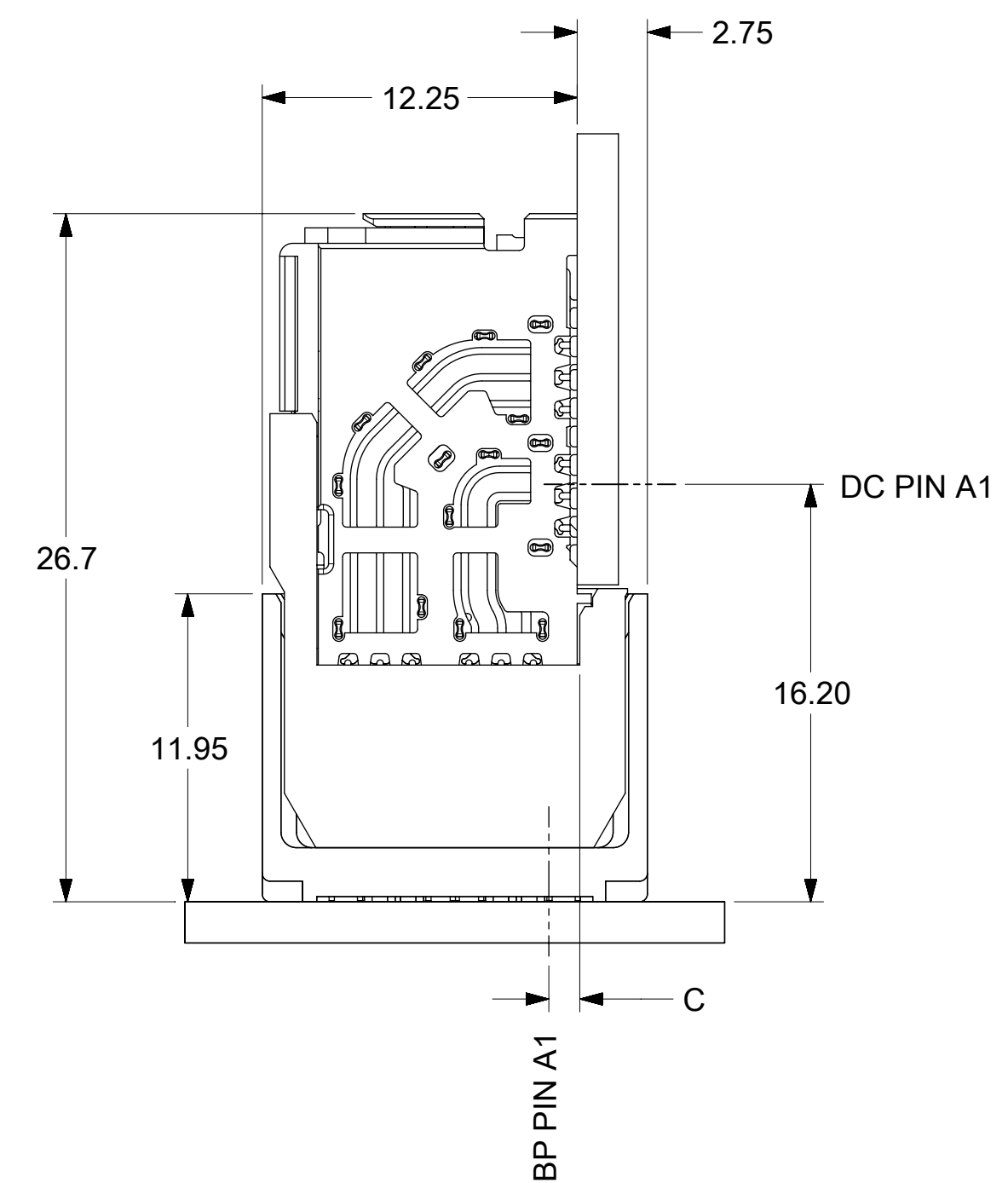
1. MATERIALS: HOUSING - LIQUID CRYSTAL POLYMER (LCP) GLASS-FILLED, UL94V-0
TERMINALS - HIGH PERFORMANCE COPPER ALLOY
2. FINISH: 30uIN GOLD IN CONTACT AREA.
SELECTIVE TIN ON PCB TAILS.
NICKEL OVERALL.
3. REFER TO MOLEX PRODUCT SPECIFICATION PS-171320-999 FOR PERFORMANCE SPECIFICATIONS.
4. THIS PART CONFORMS TO CLASS B REQUIREMENTS OF MOLEX COSMETIC SPEC PS-45499-002.
5. PRODUCT WILL BE PACKAGED PER PK-78888-312.
6. SEE SHEETS 2 AND 3 FOR HOLE PATTERN AND MATED PART DIMENSIONS.
7. MATES WITH IMPEL DC SERIES NUMBER 171750.
8. REFER TO IMPEL PCB ROUTING GUIDE AS-171320-990 FOR ANTIPAD, ROUTING RECOMMENDATIONS, AND ADDITIONAL PCB INFORMATION.
9. WHEN STACKING MODULES END TO END, THE MINIMUM COLUMN TO COLUMN SPACING IS 2.65mm.

THIS DRAWING CONTAINS INFORMATION THAT IS PROPRIETARY TO MOLEX ELECTRONIC TECHNOLOGIES, LLC AND SHOULD NOT BE USED WITHOUT WRITTEN PERMISSION											
MIGRATED TO NX EC NO: 177983 DRWN: TMARRI CHKD: DWLEED01 REV / APPR: DWLEED01	2017/09/13		2018/07/12		2018/07/12		GENERAL TOLERANCES (UNLESS SPECIFIED)		DIMENSION UNITS		SCALE
	4 PLACES		±		ANGULAR TOL ± 0.5 °		MM		4:1		
	3 PLACES		±		DRAWN BY		BJANOWIAK		DATE		2012/12/06
	2 PLACES		± 0.13		CHK'D BY				DATE		
	1 PLACE		± 0.25		APPR BY		JBINGHAM		DATE		2014/12/29
	0 PLACES		±		DRAWING SIZE		C		THIRD ANGLE PROJECTION		
DRAFT WHERE APPLICABLE MUST REMAIN WITHIN DIMENSIONS											
SERIES			MATERIAL NUMBER			CUSTOMER			PRODUCT CUSTOMER DRAWING		
171745			SEE CHART			GENERAL MARKET					
DOCUMENT NUMBER						DOC TYPE		DOC PART		SHEET NUMBER	
SD-171745-0001						PSD		001		1 OF 6	

MATERIAL NUMBER	NUMBER OF COLUMNS	NUMBER OF DIFF PAIR	DIM "A"	DIM "B"	DIM "C"	DIM "P"	PTH ϕ
171745-1804	8	16	15.80	13.30	1.10	4.90	0.46±0.05
171745-1805	8	16	15.80	13.30	1.10	5.50	0.46±0.05
171745-1807	8	16	15.80	13.30	1.20	4.90	0.36±0.05
171745-1808	8	16	15.80	13.30	1.20	5.50	0.36±0.05
171745-1104	10	20	19.60	17.10	1.10	4.90	0.46±0.05
171745-1105	10	20	19.60	17.10	1.10	5.50	0.46±0.05
171745-1107	10	20	19.60	17.10	1.20	4.90	0.36±0.05
171745-1108	10	20	19.60	17.10	1.20	5.50	0.36±0.05
171745-1204	12	24	23.40	20.90	1.10	4.90	0.46±0.05
171745-1205	12	24	23.40	20.90	1.10	5.50	0.46±0.05
171745-1207	12	24	23.40	20.90	1.20	4.90	0.36±0.05
171745-1208	12	24	23.40	20.90	1.20	5.50	0.36±0.05
171745-1604	16	32	31.00	28.50	1.10	4.90	0.46±0.05
171745-1605	16	32	31.00	28.50	1.10	5.50	0.46±0.05
171745-1607	16	32	31.00	28.50	1.20	4.90	0.36±0.05
171745-1608	16	32	31.00	28.50	1.20	5.50	0.36±0.05



OPEN WALL OPTION



MATED PART DIMENSIONS

171745-1 * * *

MODULE TYPE
1 = UNGUIDED

OF COLUMNS
8 = 8 COL
1 = 10 COL
2 = 12 COL
6 = 16 COL

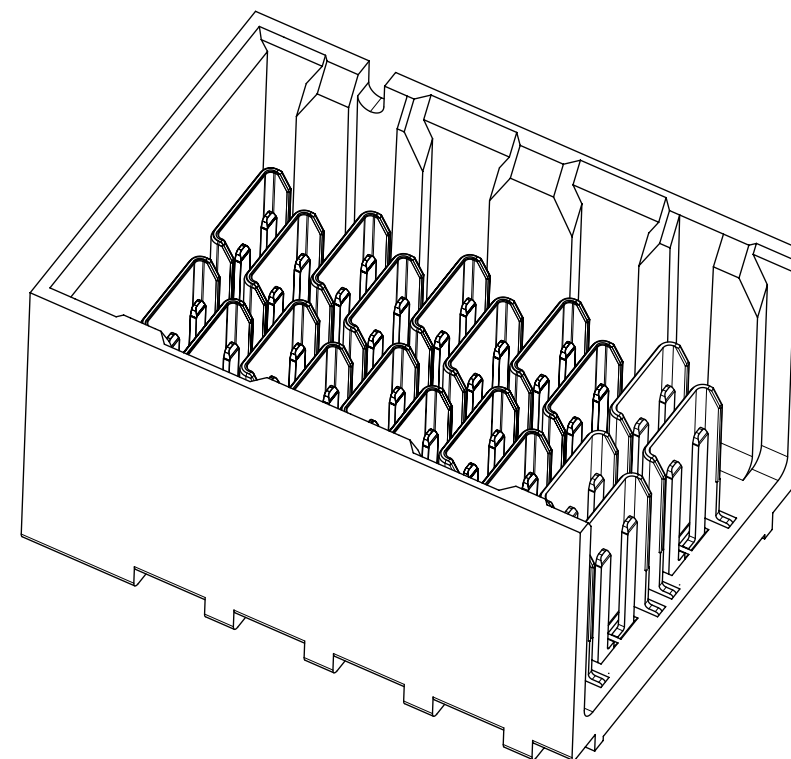
PIN LENGTH (P)
4 = 4.90 (0.46 PTH)
5 = 5.50 (0.46 PTH)
7 = 4.90 (0.36 PTH)
8 = 5.50 (0.36 PTH)

HOUSING STYLE
0 = OPEN ENDS
1 = LEFT END WALL
2 = DUAL END WALL
3 = RIGHT END WALL

THIS DRAWING CONTAINS INFORMATION THAT IS PROPRIETARY TO MOLEX ELECTRONIC TECHNOLOGIES, LLC AND SHOULD NOT BE USED WITHOUT WRITTEN PERMISSION

MIGRATED TO NX EC NO: 177983 DRWN: TMARRI CHKD: DWLEED01 REV / APPR: DWLEED01	2017/09/13	2018/07/12	2018/07/12	GENERAL TOLERANCES (UNLESS SPECIFIED)	DIMENSION UNITS: MM	SCALE: 4:1	<p>IMPEL 2 PAIR BACKPLANE UNGUIDED ASSEMBLY SALES DRAWING</p>	
	DRWN BY: BJanowiak			DATE: 2012/12/06	ANGULAR TOL ± 0.5 °	DRWN BY: BJanowiak		DATE: 2012/12/06
	CHKD BY: DWLEED01			DATE:	4 PLACES ±	CHKD BY: DWLEED01		DATE:
	APPR BY: JBINGHAM			DATE: 2014/12/29	3 PLACES ±	APPR BY: JBINGHAM		DATE: 2014/12/29
DRAFT WHERE APPLICABLE MUST REMAIN WITHIN DIMENSIONS				DRAWING SIZE: C	THIRD ANGLE PROJECTION	171745	PRODUCT CUSTOMER DRAWING	
						SEE CHART	IMPEL 2 PAIR BACKPLANE UNGUIDED ASSEMBLY SALES DRAWING	
						SD-171745-0001	GENERAL MARKET	
						PSD 001	SHEET NUMBER 2 OF 6	

MATERIAL NUMBER	NUMBER OF COLUMNS	NUMBER OF DIFF PAIR	DIM "A"	DIM "B"	DIM "C"	DIM "P"	PTH ϕ
171745-1814	8	16	17.20	13.30	1.10	4.90	0.46±0.05
171745-1815	8	16	17.20	13.30	1.10	5.50	0.46±0.05
171745-1817	8	16	17.20	13.30	1.20	4.90	0.36±0.05
171745-1818	8	16	17.20	13.30	1.20	5.50	0.36±0.05
171745-1114	10	20	21.00	17.10	1.10	4.90	0.46±0.05
171745-1115	10	20	21.00	17.10	1.10	5.50	0.46±0.05
171745-1117	10	20	21.00	17.10	1.20	4.90	0.36±0.05
171745-1118	10	20	21.00	17.10	1.20	5.50	0.36±0.05
171745-1214	12	24	24.80	20.90	1.10	4.90	0.46±0.05
171745-1215	12	24	24.80	20.90	1.10	5.50	0.46±0.05
171745-1217	12	24	24.80	20.90	1.20	4.90	0.36±0.05
171745-1218	12	24	24.80	20.90	1.20	5.50	0.36±0.05
171745-1614	16	32	32.40	28.50	1.10	4.90	0.46±0.05
171745-1615	16	32	32.40	28.50	1.10	5.50	0.46±0.05
171745-1617	16	32	32.40	28.50	1.20	4.90	0.36±0.05
171745-1618	16	32	32.40	28.50	1.20	5.50	0.36±0.05

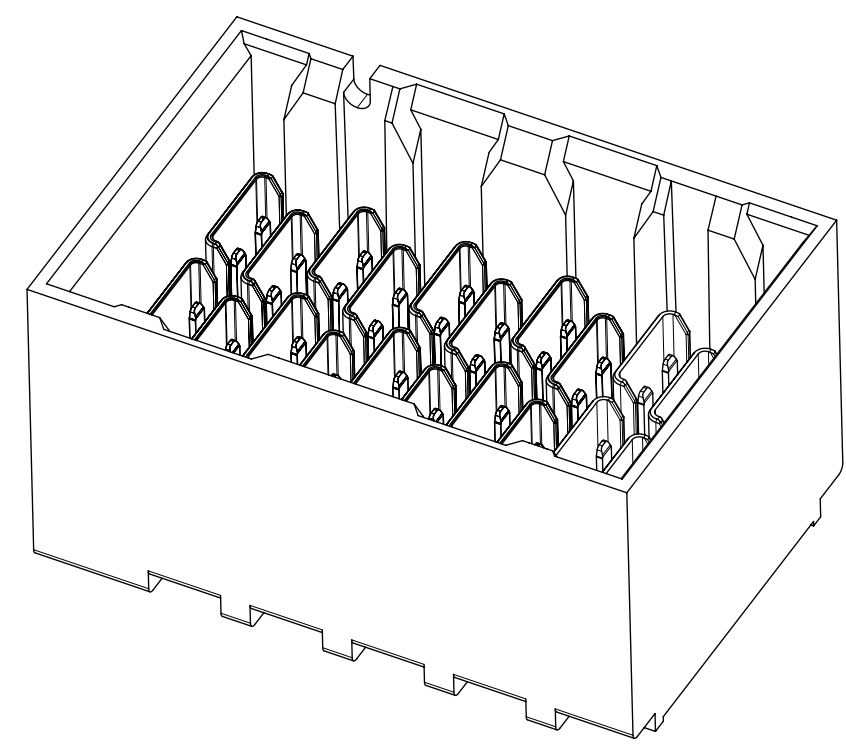


LEFT END WALL OPTION

THIS DRAWING CONTAINS INFORMATION THAT IS PROPRIETARY TO MOLEX ELECTRONIC TECHNOLOGIES, LLC AND SHOULD NOT BE USED WITHOUT WRITTEN PERMISSION

MIGRATED TO NX EC NO: 177983 DRWN: TMARRI CHKD: DWLEED1 REV / APPR: DWLEED1	2017/09/13	GENERAL TOLERANCES (UNLESS SPECIFIED)	DIMENSION UNITS	SCALE	<p>IMPEL 2 PAIR BACKPLANE UNGUIDED ASSEMBLY SALES DRAWING</p> <p>PRODUCT CUSTOMER DRAWING</p>	
	2018/07/12	ANGULAR TOL ± 0.5 °	MM	4:1		
	2018/07/12	4 PLACES ±	DRWN BY	DATE		
		3 PLACES ±	BJANOWIAK	2012/12/06		
	2 PLACES ± 0.13	CHKD BY	DATE			
	1 PLACE ± 0.25	APPR BY	DATE			
	0 PLACES ±	JBINGHAM	2014/12/29			
	DRAFT WHERE APPLICABLE MUST REMAIN WITHIN DIMENSIONS	DRAWING SIZE	THIRD ANGLE PROJECTION	SERIES	MATERIAL NUMBER	CUSTOMER
A2		C		171745	SEE CHART	GENERAL MARKET
				DOCUMENT NUMBER	DOC TYPE	DOC PART SHEET NUMBER
				SD-171745-0001	PSD	001 3 OF 6

MATERIAL NUMBER	NUMBER OF COLUMNS	NUMBER OF DIFF PAIR	DIM "A"	DIM "B"	DIM "C"	DIM "P"	PTH ϕ
171745-1824	8	16	18.60	13.30	1.10	4.90	0.46±0.05
171745-1825	8	16	18.60	13.30	1.10	5.50	0.46±0.05
171745-1827	8	16	18.60	13.30	1.20	4.90	0.36±0.05
171745-1828	8	16	18.60	13.30	1.20	5.50	0.36±0.05
171745-1124	10	20	22.40	17.10	1.10	4.90	0.46±0.05
171745-1125	10	20	22.40	17.10	1.10	5.50	0.46±0.05
171745-1127	10	20	22.40	17.10	1.20	4.90	0.36±0.05
171745-1128	10	20	22.40	17.10	1.20	5.50	0.36±0.05
171745-1224	12	24	26.20	20.90	1.10	4.90	0.46±0.05
171745-1225	12	24	26.20	20.90	1.10	5.50	0.46±0.05
171745-1227	12	24	26.20	20.90	1.20	4.90	0.36±0.05
171745-1228	12	24	26.20	20.90	1.20	5.50	0.36±0.05
171745-1624	16	32	33.80	28.50	1.10	4.90	0.46±0.05
171745-1625	16	32	33.80	28.50	1.10	5.50	0.46±0.05
171745-1627	16	32	33.80	28.50	1.20	4.90	0.36±0.05
171745-1628	16	32	33.80	28.50	1.20	5.50	0.36±0.05

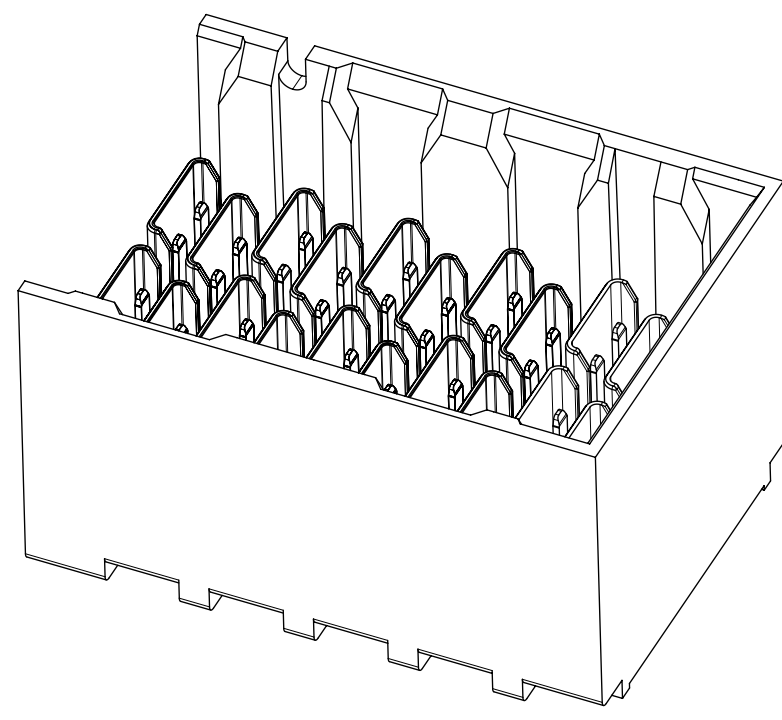


DUAL END WALL OPTION

THIS DRAWING CONTAINS INFORMATION THAT IS PROPRIETARY TO MOLEX ELECTRONIC TECHNOLOGIES, LLC AND SHOULD NOT BE USED WITHOUT WRITTEN PERMISSION

MIGRATED TO NX EC NO: 177983 DRWN: TMARRI CHKD: DWLEED01 REV / APPR: DWLEED01	2017/09/13	GENERAL TOLERANCES (UNLESS SPECIFIED)	DIMENSION UNITS	SCALE		
	2018/07/12	ANGULAR TOL ± 0.5 °	MM	4:1		
	2018/07/12	4 PLACES ±	DRWN BY	DATE		IMPEL 2 PAIR BACKPLANE UNGUIDED ASSEMBLY SALES DRAWING
		3 PLACES ±	BJANOWIAK	2012/12/06		
		2 PLACES ± 0.13	CHKD BY	DATE		
	1 PLACE ± 0.25	APPR BY	DATE			
	0 PLACES ±	JBINGHAM	2014/12/29	PRODUCT CUSTOMER DRAWING		
	DRAFT WHERE APPLICABLE MUST REMAIN WITHIN DIMENSIONS	DRAWING SIZE	THIRD ANGLE PROJECTION	SERIES	MATERIAL NUMBER	CUSTOMER
A2		C		171745	SEE CHART	GENERAL MARKET
				DOCUMENT NUMBER	DOC TYPE	DOC PART SHEET NUMBER
				SD-171745-0001	PSD	001 4 OF 6

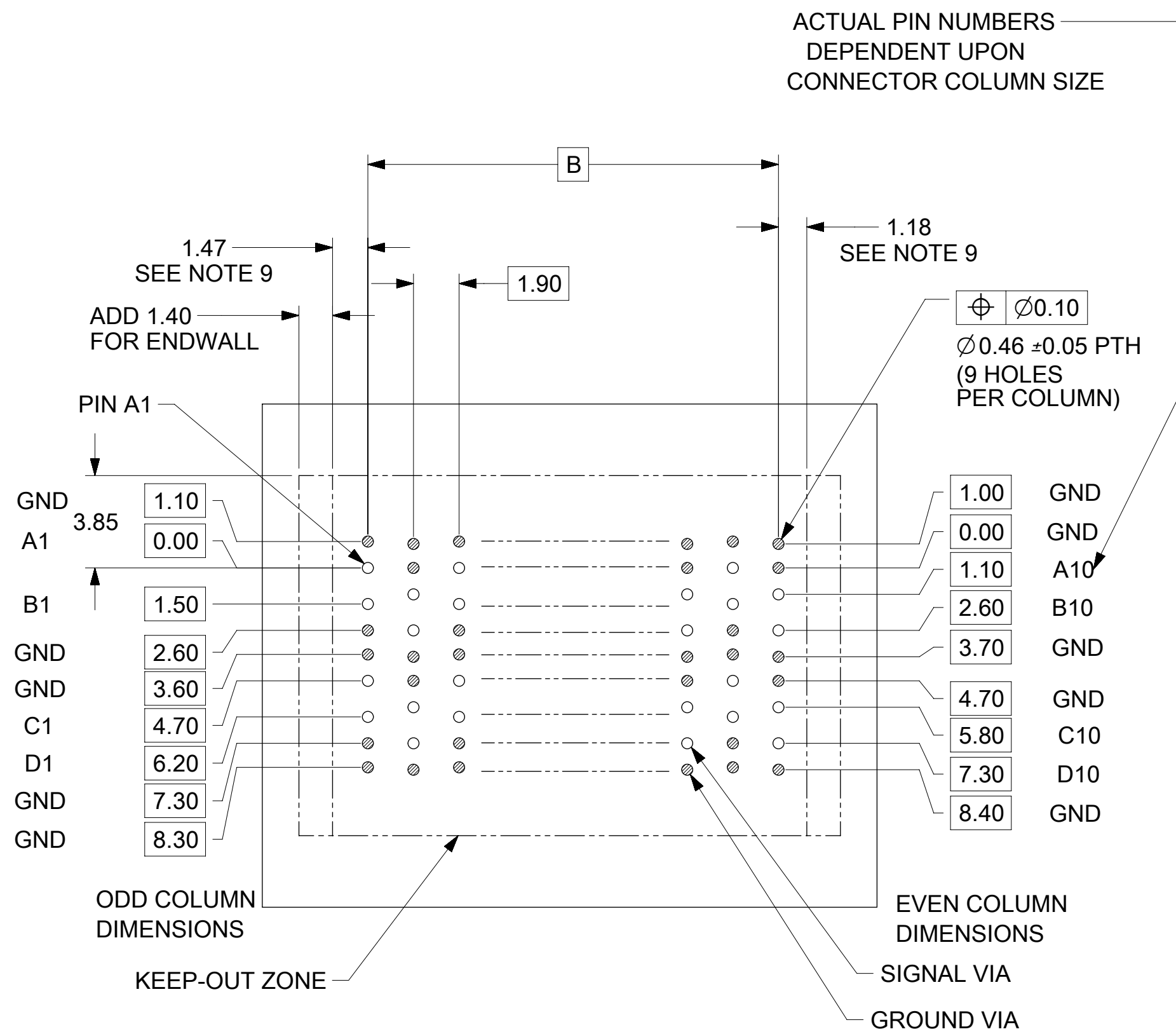
MATERIAL NUMBER	NUMBER OF COLUMNS	NUMBER OF DIFF PAIR	DIM "A"	DIM "B"	DIM "C"	DIM "P"	PTH ϕ
171745-1834	8	16	17.20	13.30	1.10	4.90	0.46±0.05
171745-1835	8	16	17.20	13.30	1.10	5.50	0.46±0.05
171745-1837	8	16	17.20	13.30	1.20	4.90	0.36±0.05
171745-1838	8	16	17.20	13.30	1.20	5.50	0.36±0.05
171745-1134	10	20	21.00	17.10	1.10	4.90	0.46±0.05
171745-1135	10	20	21.00	17.10	1.10	5.50	0.46±0.05
171745-1137	10	20	21.00	17.10	1.20	4.90	0.36±0.05
171745-1138	10	20	21.00	17.10	1.20	5.50	0.36±0.05
171745-1234	12	24	24.80	20.90	1.10	4.90	0.46±0.05
171745-1235	12	24	24.80	20.90	1.10	5.50	0.46±0.05
171745-1237	12	24	24.80	20.90	1.20	4.90	0.36±0.05
171745-1238	12	24	24.80	20.90	1.20	5.50	0.36±0.05
171745-1634	16	32	32.40	28.50	1.10	4.90	0.46±0.05
171745-1635	16	32	32.40	28.50	1.10	5.50	0.46±0.05
171745-1637	16	32	32.40	28.50	1.20	4.90	0.36±0.05
171745-1638	16	32	32.40	28.50	1.20	5.50	0.36±0.05



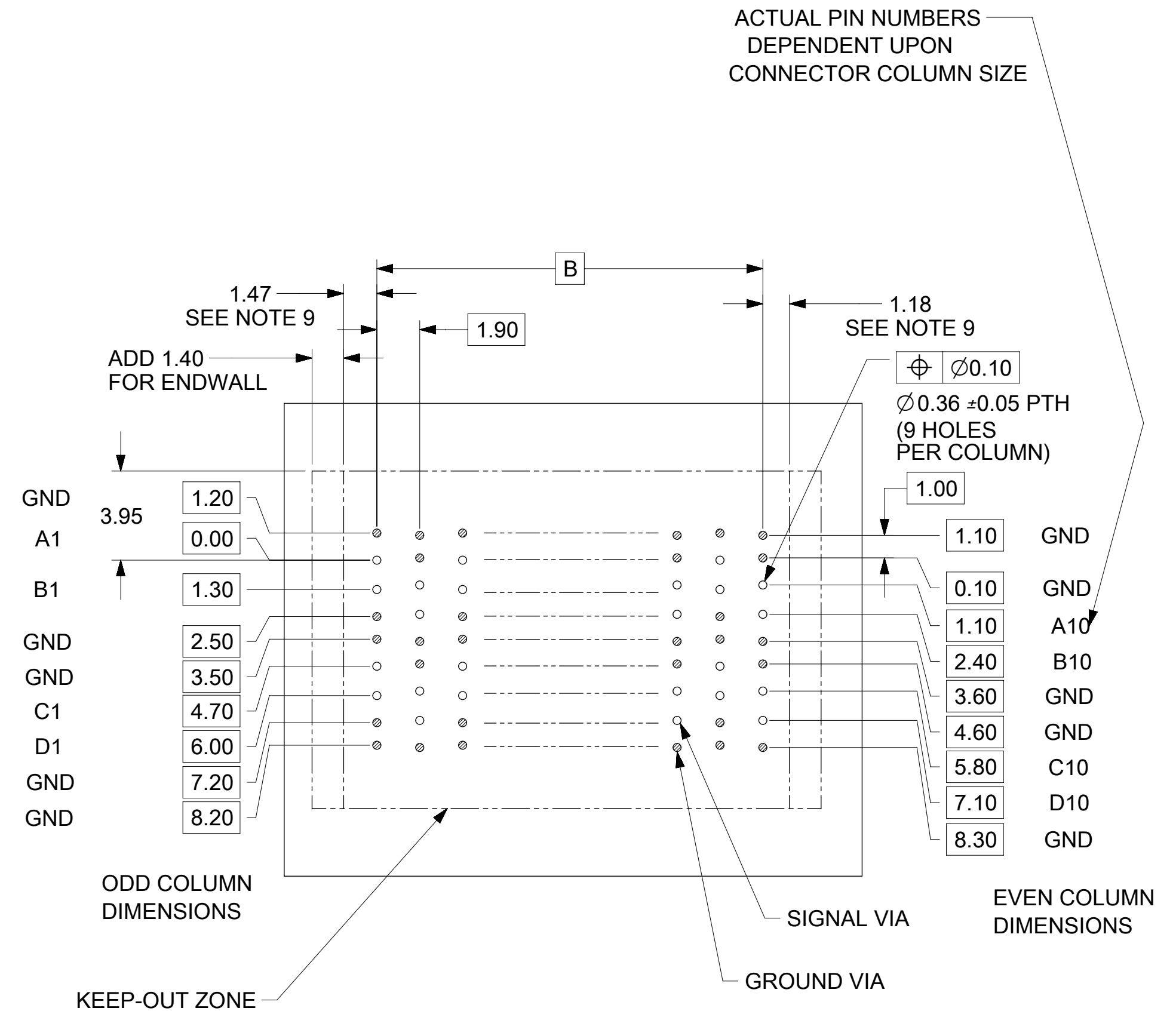
RIGHT END
WALL OPTION

THIS DRAWING CONTAINS INFORMATION THAT IS PROPRIETARY TO MOLEX ELECTRONIC TECHNOLOGIES, LLC AND SHOULD NOT BE USED WITHOUT WRITTEN PERMISSION

MIGRATED TO NX EC NO: 177983 DRWN: TMARRI CHKD: DWLEED1 REV / APPR: DWLEED1	2017/09/13	2018/07/12	2018/07/12	GENERAL TOLERANCES (UNLESS SPECIFIED) ANGULAR TOL ± 0.5 ° 4 PLACES ± 3 PLACES ± 2 PLACES ± 0.13 1 PLACE ± 0.25 0 PLACES ± DRAFT WHERE APPLICABLE MUST REMAIN WITHIN DIMENSIONS	DIMENSION UNITS MM	SCALE 4:1	<p>IMPEL 2 PAIR BACKPLANE UNGUIDED ASSEMBLY SALES DRAWING</p>
	DRWN BY BJANOWIAK	DATE 2012/12/06	CHKD BY		DATE		
	APPR BY JBINGHAM	DATE 2014/12/29	PRODUCT CUSTOMER DRAWING				
	DRAWING SIZE C	THIRD ANGLE PROJECTION	SERIES 171745		MATERIAL NUMBER SEE CHART	CUSTOMER GENERAL MARKET	
	A2	REV	DOCUMENT NUMBER SD-171745-0001		DOC TYPE PSD	DOC PART 001	



BACKPLANE HOLE PATTERN
FOR $\varnothing 0.46$ PTH
(CONNECTOR SIDE)



BACKPLANE HOLE PATTERN
FOR $\varnothing 0.36$ PTH
(CONNECTOR SIDE)

THIS DRAWING CONTAINS INFORMATION THAT IS PROPRIETARY TO MOLEX ELECTRONIC TECHNOLOGIES, LLC AND SHOULD NOT BE USED WITHOUT WRITTEN PERMISSION

MIGRATED TO NX EC NO: 177983 DRWN: TMARRI CHKD: DWLEED01 REV / APPR: DWLEED01	GENERAL TOLERANCES (UNLESS SPECIFIED)		DIMENSION UNITS	SCALE	
	ANGULAR TOL $\pm 0.5^\circ$		MM	5:1	
	4 PLACES \pm	3 PLACES \pm	DRWN BY	DATE	
	2 PLACES ± 0.13	1 PLACE ± 0.25	BJANOWIAK	2012/12/06	
0 PLACES \pm	DRAFT WHERE APPLICABLE MUST REMAIN WITHIN DIMENSIONS	CHKD BY	DATE		IMPEL 2 PAIR BACKPLANE UNGUIDED ASSEMBLY SALES DRAWING PRODUCT CUSTOMER DRAWING SERIES: 171745 MATERIAL NUMBER: SEE CHART CUSTOMER: GENERAL MARKET DOCUMENT NUMBER: SD-171745-0001 DOC TYPE: PSD DOC PART: 001 SHEET NUMBER: 6 OF 6
		APPR BY	DATE		
		JBINGHAM	2014/12/29		
		DRAWING SIZE	THIRD ANGLE PROJECTION		