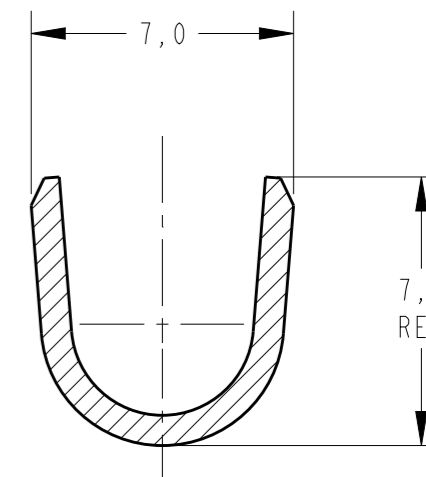
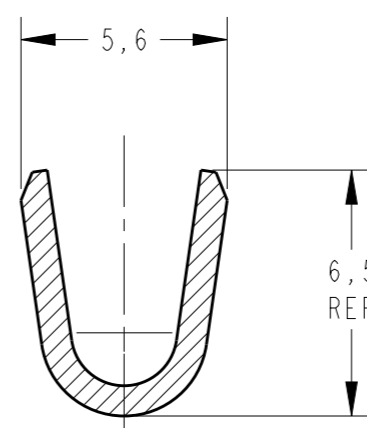
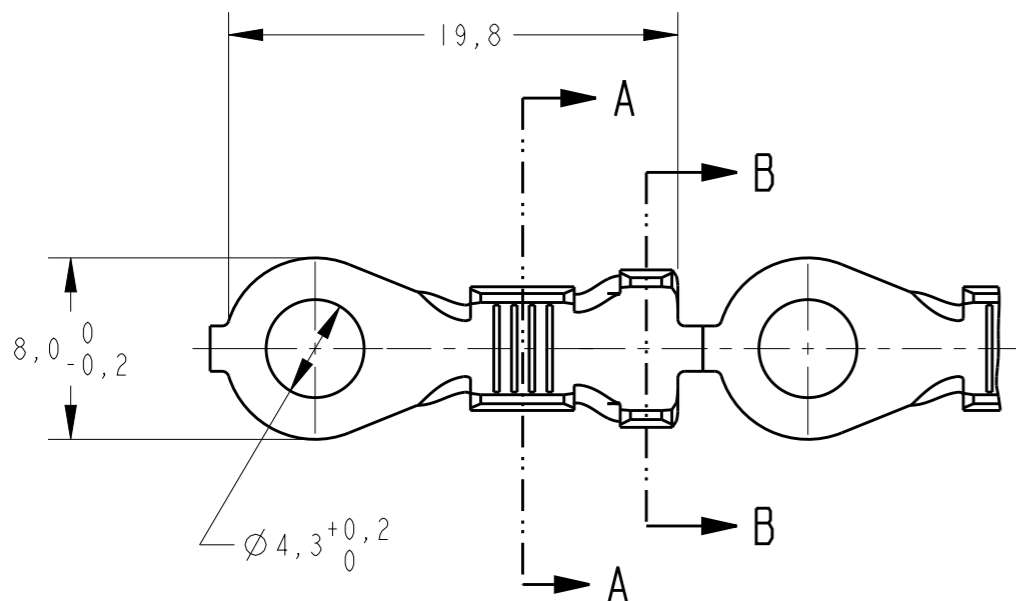


creo
Creo Parametric 2.0
DO NOT REUSE
EXCEPT BY CAD

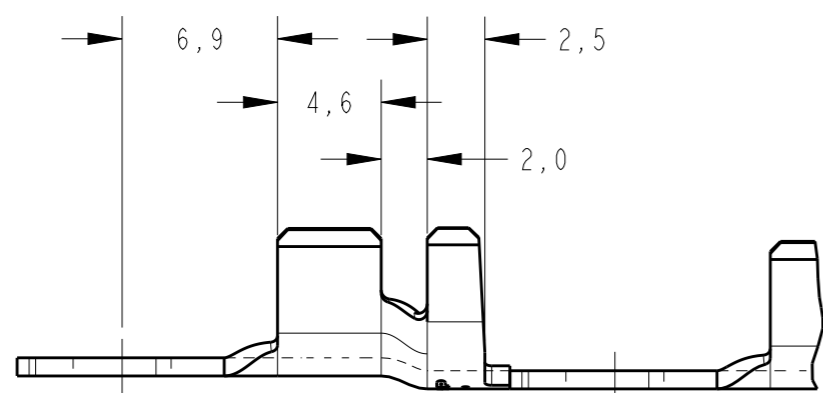
REVISIONS

P	LTR	DESCRIPTION	DATE	DWN	APVD
F		REDRAW BY CAD ECO-14-013530	08SEP2014	NCL	LWP
G		REV. BY ECO-14-018352	09DEC2014	HC	WLS



SECTION A-A
SCALE 5:1

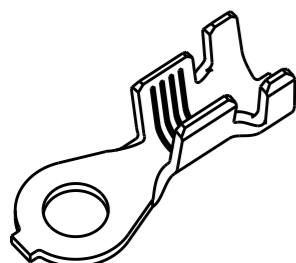
SECTION B-B
SCALE 5:1




- 1 - BOBINAR COM PAPEL INTERCALADO
- REELING WITH PAPER INTERLEAVE

△ - OBSOLETE PARTS: OBSOLETE CIS STREAMLINING PER RENAUD/D.SINISI

3,2-5,3mm	4,0-6,0mm ²	ESTANHADO / TIN PLATED	LATÃO / BRASS	626035-3 △
3,2-5,3mm	4,0-6,0mm ²	ESTANHADO / TIN PLATED	LATÃO / BRASS	626035-2
—	—	—	LATÃO / BRASS	626035-1
INSUL RANGE	WIRE RANGE	FINISH	MATERIAL	PART NO



PERSPECTIVE VIEW
SCALE 2:1

THIS DRAWING IS A CONTROLLED DOCUMENT.		DWN 08SEP2014 NCLAPRESA	 TE Connectivity	
DIMENSIONS: mm		CHK 08SEP2014 FCHRISTIANO		
TOLERANCES UNLESS OTHERWISE SPECIFIED:		APVD 08SEP2014 LWPRADO	NAME - RING TONGUE	
0 PLC ±-	1 PLC ±0,3	PRODUCT SPEC	SIZE CAGE CODE DRAWING NO RESTRICTED TO	
2 PLC ±-	3 PLC ±-	APPLICATION SPEC	A3 00779 C-626035 -	
4 PLC ±-	ANGLES ±1°	WEIGHT	SCALE 3:1 SHEET 1 OF 1 REV G	
MATERIAL SEE TABLE	FINISH SEE TABLE	Customer Drawing		