

Type BLX-01 Fuse Block For Maxi Auto Blade Fuses



www.optifuse.com

(619)-593-5050

Fuse Style: Maxi Auto Blade Fuses

Material:

Body: Nylon (UL Flame: 94V-0)

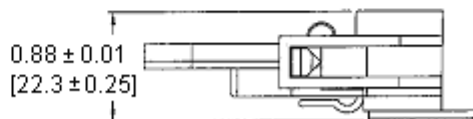
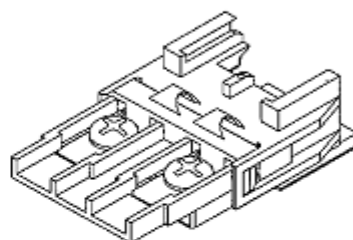
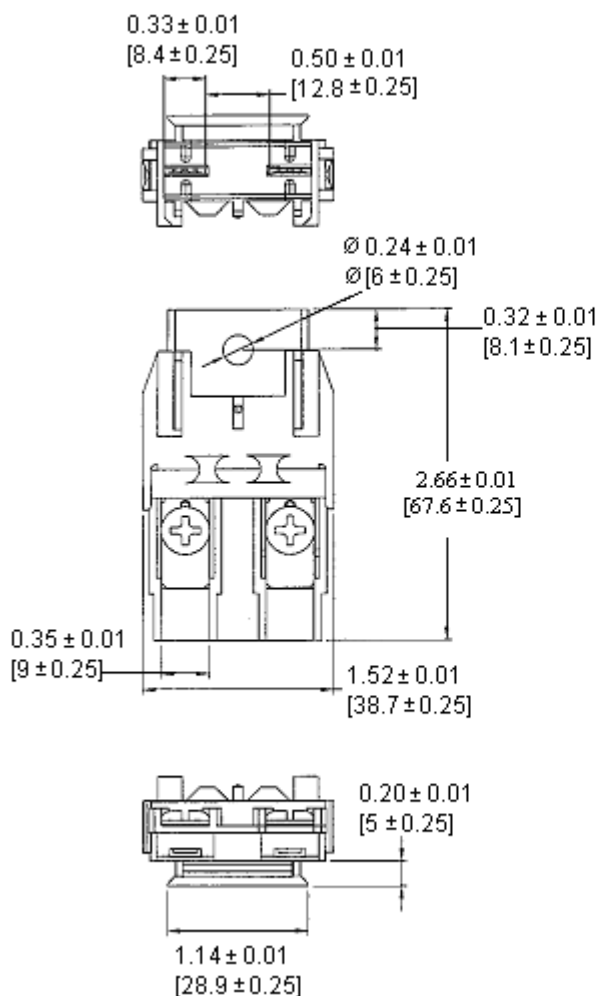
Terminal: Plated Brass

Specifications:

Rating: 32VDC 60A Max

Temperature Rating: -20° C ~ +85° C

Product Dimensions: Inches [mm]



Warning:



-Operation beyond the specified maximum ratings or improper use may result in damage and possible electrical arcing and/or flame.

-Avoid contact of Fuse Block with chemical solvent. Prolonged contact will damage the device performance.