

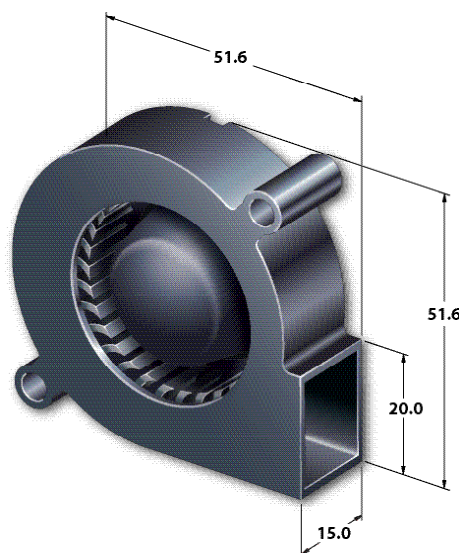
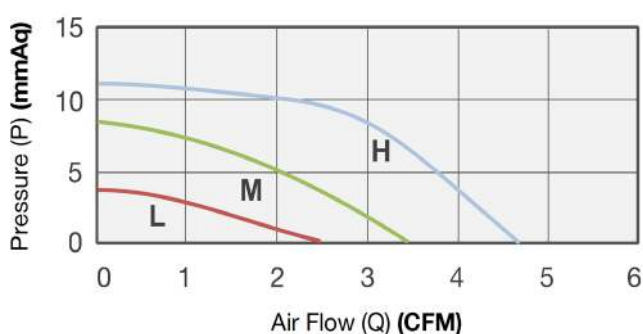
RB5015 Series

51 x 51 x 15mm (2.0 x 2.0 x 0.59 in)



- 5V, 12V, 24V
- Ball bearings
- 2.4 CFM to 4.4 CFM
- Lead Wires: UL (+) Red; (-) Black
- Operating temperature: -10°C ~ +70°C
- Operating life: 50,000 hours
- UL, cUL, CE Listed
- RoHS Compliant

| Model Number | V | Range (V) | A | RPM | CFM | m ³ /min | mmAq | inH ₂ O | dBA |
|--------------|----|-----------|------|------|-----|---------------------|------|--------------------|-----|
| RBH5015B5 | 5 | 3.5~5.75 | 0.33 | 4500 | 3.8 | 0.11 | 11.3 | 0.44 | 37 |
| RBM5015B5 | 5 | 3.5~5.75 | 0.22 | 4000 | 3.4 | 0.96 | 7.4 | 0.29 | 35 |
| RBL5015B5 | 5 | 3.5~5.75 | 0.13 | 3000 | 2.4 | 0.07 | 3.5 | 0.14 | 26 |
| RBH5015B | 12 | 6.0~13.8 | 0.14 | 5000 | 4.4 | 0.12 | 11.5 | 0.45 | 41 |
| RBM5015B | 12 | 6.0~13.8 | 0.09 | 4000 | 3.4 | 0.96 | 7.4 | 0.29 | 35 |
| RBL5015B | 12 | 6.0~13.8 | 0.05 | 3000 | 2.4 | 0.07 | 3.5 | 0.14 | 26 |
| RBH5015B2 | 24 | 12.0~27.6 | 0.12 | 5000 | 4.4 | 0.12 | 11.5 | 0.45 | 41 |
| RBM5015B2 | 24 | 12.0~27.6 | 0.08 | 4000 | 3.4 | 0.96 | 7.4 | 0.29 | 35 |
| RBL5015B2 | 24 | 12.0~27.6 | 0.05 | 3500 | 2.9 | 0.82 | 7.3 | 0.29 | 30 |



| Optional Features | <input type="checkbox"/> | <input type="checkbox"/> | <input checked="" type="checkbox"/> | <input checked="" type="checkbox"/> | <input type="checkbox"/> | <input type="checkbox"/> | <input type="checkbox"/> | <input type="checkbox"/> | <input type="checkbox"/> | <input type="checkbox"/> | <input type="checkbox"/> | <input type="checkbox"/> | <input type="checkbox"/> | <input type="checkbox"/> | <input type="checkbox"/> |
|---------------------------|--------------------------|--------------------------|-------------------------------------|-------------------------------------|--------------------------|--------------------------|--------------------------|--------------------------|--------------------------|--------------------------|--------------------------|--------------------------|--------------------------|--------------------------|--------------------------|
| Inrush Current Protection | Autostart | Tachometer | Rotation Detector | Life Detection | Over Voltage Protection | VPWM | IPWM | PPWM | TPWM | RPWM | Current Limit Control | Constant Speed | IP56 | IP67 | |