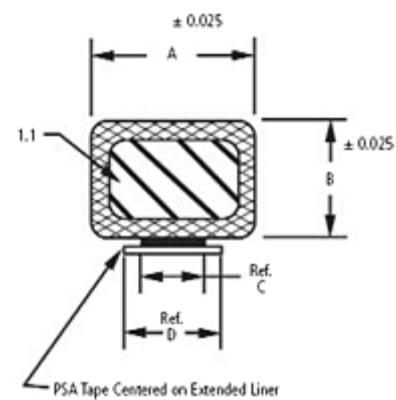


**Laird Technologies**Web site: [www.LairdTech.com](http://www.LairdTech.com)

All Categories > EMI Solutions > EMI Shielding & Gaskets > Wire Mesh & Knitted Gaskets > Clips, Washer, Tape etc. > Ultrasoft Knit EMI Gaskets > Item # 8417-3055-62

**Item # 8417-3055-62, Ultrasoft Knit EMI Gaskets**List Price **QUOTE**
[Stock Locator](#)

Laird Technologies UltraSoft Knit EMI gasket material consists of a metalized nylon yarn knit over a flame retardant UL 94 HF-1 low density foam polyester core material. The close-knit stitch of the metalized nylon provides a highly effective EMI shield, as well as a smooth, soft surface that will not abrade plated plastic interfaces.


[larger image](#)

[larger image](#)
**Specifications**

<b>Dimension A</b>	0.375 inches
<b>Dimension A</b>	9.5 mm
<b>Dimension B</b>	0.187 inches
<b>Dimension B</b>	4.7 mm
<b>Dimension C</b>	0.150 inches
<b>Dimension C</b>	3.8 mm
<b>Dimension D</b>	0.336 inches
<b>Dimension D</b>	8.5 mm
<b>Length</b>	7 ft.
<b>Length</b>	2.1 M
<b>EMI Shield Material</b>	Silver plated nylon

<b>Foam Core Material</b>	Low density UL 94 HF-1 approved polyester
<b>Pressure Sensitive Adhesive Material</b>	Acrylic

[Print](#)

[Back](#)