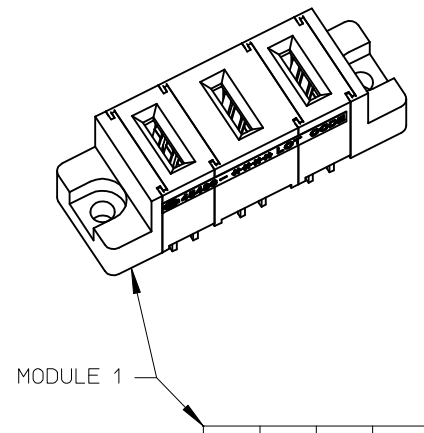
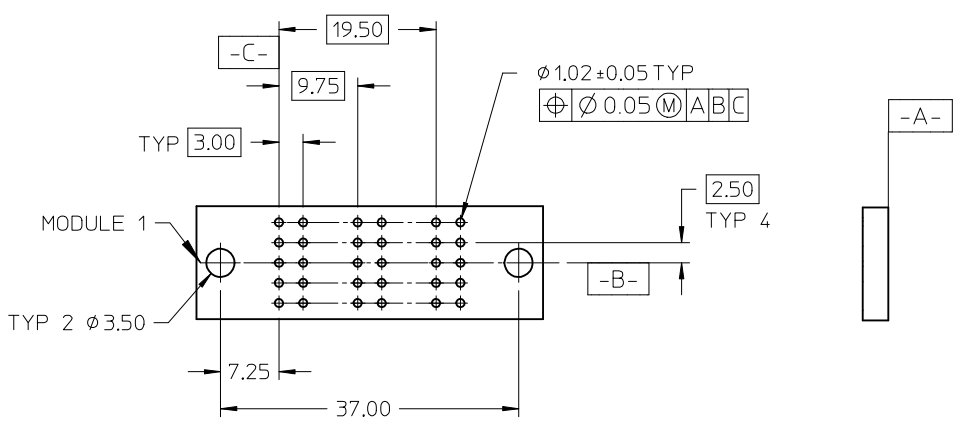
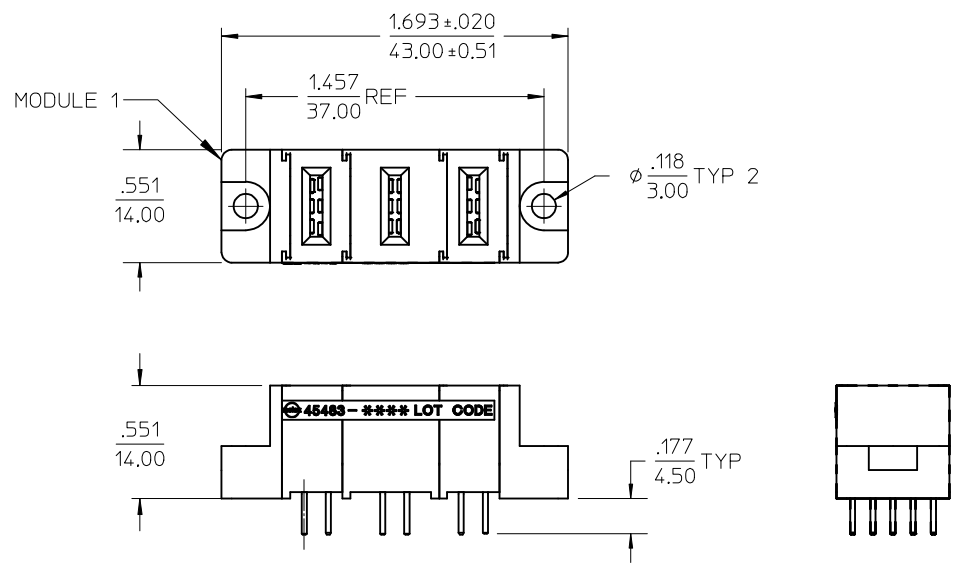


NOTES:

1. MATERIAL: LCP, GLASS FILLED, UL94V-0, BLACK.
CONTACTS: COPPER ALLOY
2. FINISH: SELECT GOLD: 30 MI MIN.
SELECT TIN: 100 MI MIN.
BOTH OVER NICKEL.
3. PRODUCT SPECIFICATION: PS-45424-001.
4. PACKAGING SPECIFICATION: PK-45483-001.



PCB LAYOUT: COMPONENT SIDE
PCB THICKNESS: .125/3.18
PCB TOLERANCE: ±.002/0.05

EC NO: UCP2005-1959	DESCRIPTION
DRWN: ADRA1N02005/05/12	
CHKD: SAMIEC 2005/05/16	
APPR: YMARGULI 2005/05/18	
B1	REV

GENERAL TOLERANCES (UNLESS SPECIFIED)	
	mm INCH
4 PLACES	± --- ± ---
3 PLACES	± --- ± .010
2 PLACES	± 0.25 ± .015
1 PLACE	± 0.38 ± ---
ANGULAR ± 1/2°	
DRAFT WHERE APPLICABLE	
MUST REMAIN WITHIN DIMENSIONS	

SCALE	DESIGN UNITS
1:1	METRIC
DIMENSION STYLE	
IN/MM	
DRAWN BY	DATE
SAMIEC	2004/06/17
CHECKED BY	DATE
SAMIEC	2004/06/17
APPROVED BY	DATE
MARGULIS	2004/06/17

THIRD ANGLE PROJECTION	REVISE ON CAD ONLY			
TITLE	POWER DOCK ASSEMBLY SOCKET VERTICAL SOLDER TAIL			
Molex	MOLEX INCORPORATED			
MATERIAL NO.	DOCUMENT NO.	SHEET NO.		
45483-0140	SD-45483-140	1 OF 1		
THIS DRAWING CONTAINS INFORMATION THAT IS PROPRIETARY TO MOLEX INCORPORATED AND SHOULD NOT BE USED WITHOUT WRITTEN PERMISSION				
			A	