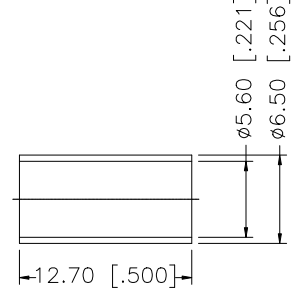
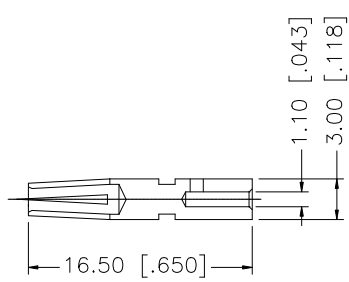
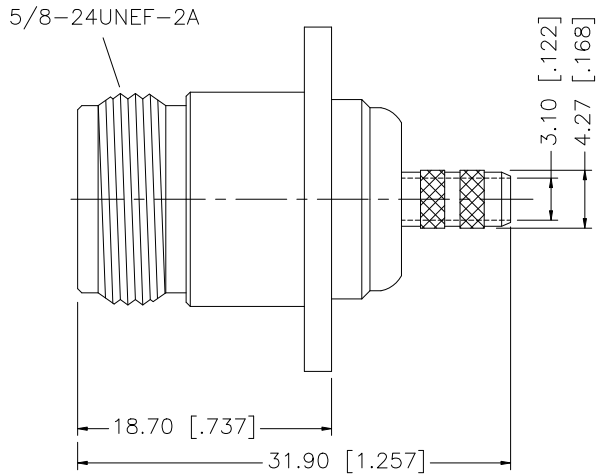
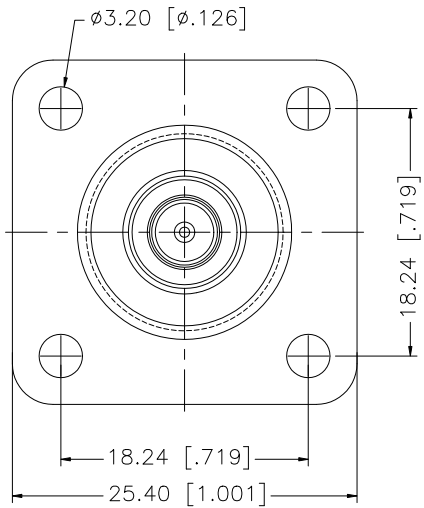
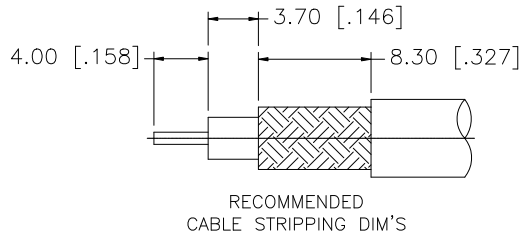


REV.	DATE	DESCRIPTION
A	02/09/05	MODIFY PLATING SPEC/ UPDATE DRAWING FORMAT
B	07/12/07	REVISE CRIMP NOTES



NOTE:
 1. CRIMPED FERRULE HEX CRIMP SIZE .213"
 2. CRIMPED CONTACT PIN HEX CRIMP SIZE .100"

DESCRIPTION	MATERIAL	FINISH	QTY	DO NOT SCALE DRAWING	APPROVALS	DATE	PART DESCRIPTION			PART NO.	DWG. NO.	REV.	SIZE	SCALE
							N PANEL CRIMP JACK			172175	172175.DWG	B	A	NA
							FOR RG-55/U, 143A/U, 223/U, 400/U							

Amphenol Connex

UNLESS OTHERWISE SPECIFIED DIMENSIONS ARE IN MILLIMETERS. DIMENSIONS IN [] ARE IN INCHES AND FOR CUSTOMER REFERENCE ONLY.

UNLESS OTHERWISE SPECIFIED TOLERANCES FOR MILLIMETERS ARE:
 0.5 - 8mm ± 0.20mm
 8 - 30mm ± 0.40mm
 30 - 120mm ± 0.50mm

UNLESS OTHERWISE SPECIFIED TOLERANCES FOR INCHES ARE:
 .020 - .315 = ± 0.007"
 .315 - 1.180 = ± 0.015"
 1.180 - 4.724 = ± 0.020"

APPROVALS	DATE
DRAWN G.R.S.	07/12/07
CHECKED	
ISSUED	
SHEET 1 OF 1	
CAD FILE	C:/172/172175.DWG