

REV. Status

PRELIMINARY  
11/13/00 BT

PRELIMINARY 1  
CHANGED PIN  
STYLE  
11/17/00 LL

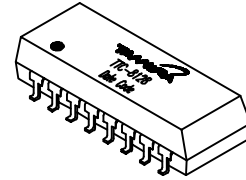
PRELIMINARY 2  
CHANGED  
ELECTRICAL  
SPECIFICATION,  
SCHEMATIC,  
AND LOGO.  
05/29/01 LL

PRELIMINARY 3  
CHANGED  
INSERTION LOSS  
RANGE, AND  
COMMON MODE  
REJ. RATIO.  
08/07/01 LL



# 10 Base-T LAN Magnetic Module Single Port, 16 pin SMD

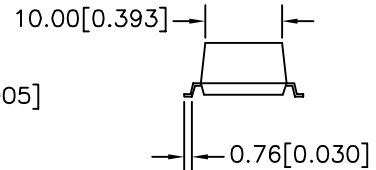
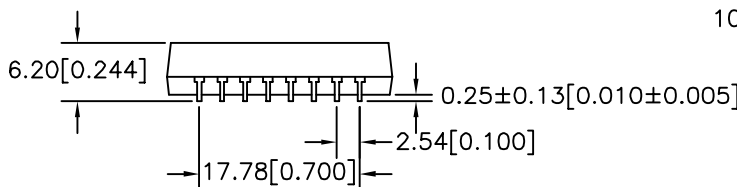
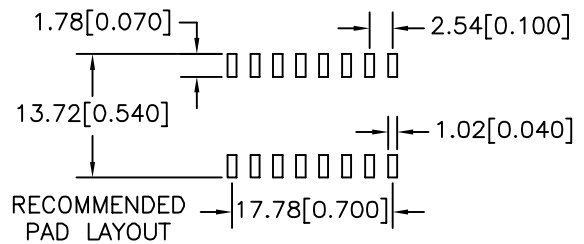
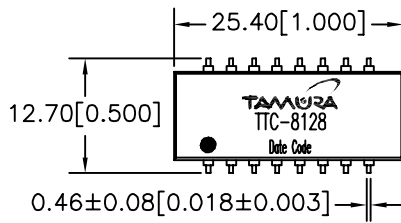
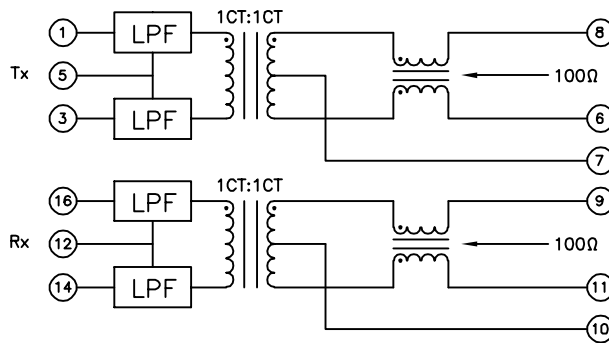
- Complies with IEEE 802.3 Standard
- Surface Mount Device withstands IR reflow profile process
- Operating temperature: 0°C to 70°C
- Enhanced Common Mode Attenuation



MODEL NUMBER  
**TTC-8128**

Electrical Specification @ 25°C

Insertion Loss (dB Max)	Attenuation (dB Min)				Return Loss (dB Min)		Common Mode Rejection Ratio (dB Min)		Crosstalk (dB Min)	Hipot (Vrms)
	20 MHz	25 MHz	30 MHz	40 MHz	5-10MHz (100Ω)	5-10MHz (98±13Ω)	5-100 MHz	100-200 MHz		
0.1-10 MHz	20 MHz	25 MHz	30 MHz	40 MHz	5-10MHz (100Ω)	5-10MHz (98±13Ω)	5-100 MHz	100-200 MHz	5-10 MHz	60 sec
-1	-5	-11	-16	-26	-18	-15	-40	-30	-35	1500



PREPARED BY:

D. Rund

ENGINEER:

L. Le

QUALITY CONTROL:

D. Kelley

APPROVED:

J. Coleman

NOTE: Unless otherwise specified, all dimensions are mm[in] with tolerance of ±0.25[0.010]

DWG CONTROL NO. P-A1-12649 ACAD\TTC\A1126491.DWG	REV <b>PR3</b>	10 Base-T LAN Magnetic Module Single Port, 16 pin SMD
--	-------------------	--

**TTC-8128**

MODEL SPECIFICATION

**TAMURA CORPORATION OF AMERICA**  
43352 BUSINESS PARK DRIVE, TEMECULA, CA. 92590-6624  
(909) 699-1270 FAX 9096769482

DIM: mm(in) SCL: none SH: 1 OF 1

PROPRIETARY NOTICE: THIS DRAWING PRINT OR DOCUMENT AND SUBJECT MATTER DISCLOSED HEREIN ARE PROPRIETARY ITEMS TO WHICH TAMURA RETAINS THE EXCLUSIVE RIGHT OF DISSEMINATION, REPRODUCTION, MANUFACTURE AND SALE. THIS DRAWING, PRINT OR DOCUMENT IS SUBMITTED IN CONFIDENCE FOR CONSIDERATION BY THE RECIPIENT ALONE UNLESS PERMISSION FOR FURTHER DISCLOSURE IS EXPRESSLY GRANTED IN WRITING.