

THIS DRAWING IS UNPUBLISHED.

RELEASED FOR PUBLICATION

-, -

LOC

DIST

REVISIONS

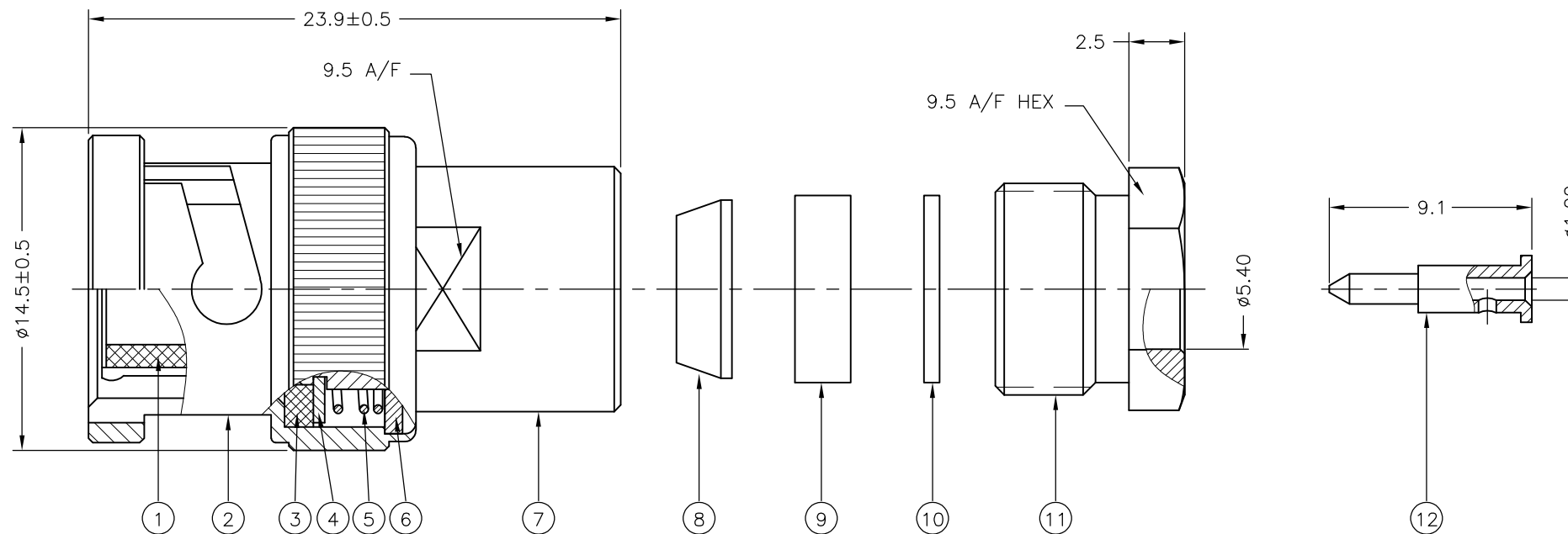
© COPYRIGHT - By -

ALL RIGHTS RESERVED.

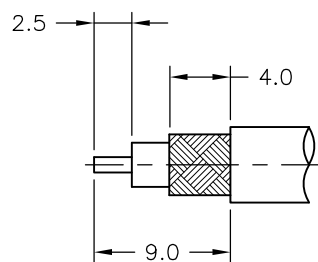
P	LTR	DESCRIPTION	DATE	DWN	APVD
	D	ECR-14-000528	18SEP2014	RZ	MY

NOTES:


- 1 SINGLE PACKING: ONE CONNECTOR PER LABELED BAG PACKAGED. LABELED PER TEC-107-115
- 2 TRAY PACKAGED
- 3 Ag PLATING
- 4 PASSIVATION
- 5 THIS ITEM MUST BE WHITE
- 6 ELECTRICAL CHARACTERISTICS  
 FREQUENCY RANGE: DC - 4 GHz  
 NOMINAL IMPEDANCE: 50 Ohm  
 INSULATION RESISTANCE: 5000 MOhm  
 WORKING VOLTAGE: 500 Volts RMS at Sea Level  
 DIELECTRIC WITHSTAND VOLTAGE: 1500 Volts RMS Max  
 CONTACT RESISTANCE:  
   CENTER CONTACT: 1.50 mOhm Max  
   OUTER CONTACT: 1.00 mOhm Max  
 VSWR @ 4GHz: 1.30:1 Max  
 INSERTION LOSS dB @ 3 GHz: 0.20 Max
- 7 MECHANICAL CHARACTERISTICS  
 COUPLING NUT RETENTION FORCE: 266 N Min  
 CABLE RETENTION FORCE: 128 N Min  
 CLAMP NUT RECOMMENDED TORQUE: 4 Nm  
 DURABILITY: 500 Cycles Min
- 8 ENVIRONMENTAL CHARACTERISTICS  
 OPERATING TEMPERATURE: -65 to +165 DegC



RECOMMENDED CABLE STRIPPING DIM'S



QTY	QTY PER ASSY	MATERIAL	DESCRIPTION	ITEM
1	1	BRASS	CONTACT	12
1	1	BRASS	CLAMP NUT	11
1	1	BRASS	WASHER	10
1	1	SILICON RUBBER	GASKET	9
1	1	BRASS	SLEEVE	8
1	1	BRASS	BODY	7
1	1	BRASS	WASHER	6
1	1	STAINLESS STEEL	SPRING	5
1	1	PHOSPHOR BRONZE	WASHER	4
1	1	SILICON RUBBER	GASKET	3
1	1	BRASS	COLLAR	2
1	1	PTFE	DIELECTRIC	1
6--0	1--0	MATERIAL	DESCRIPTION	ITEM

THIS DRAWING IS A CONTROLLED DOCUMENT.		DWN J.SANDWELL 18NOV05	 TE Connectivity NAME BNC STRAIGHT PLUG SOLDER 50 OHM RG58C/U, 141A/U, URM43,76, Belden 9907,KX15				
DIMENSIONS: mm		CHK S.PARLOW 18NOV05					
TOLERANCES UNLESS OTHERWISE SPECIFIED:		APVD F.WHEELER-KING 18NOV05					
0 PLC ± - 1 PLC ± 0.2 2 PLC ± 0.1 3 PLC ± - 4 PLC ± - ANGLES ± -		PRODUCT SPEC 108-112000					
MATERIAL SEE TABLE	FINISH -	APPLICATION SPEC 411-3252	WEIGHT -	SIZE A3	CAGE CODE 00779	DRAWING NO C-1337421	RESTRICTED TO -
CUSTOMER DRAWING				SCALE NTS	SHEET 1 OF 1	REV D	