



TE Internal #: 280268-2

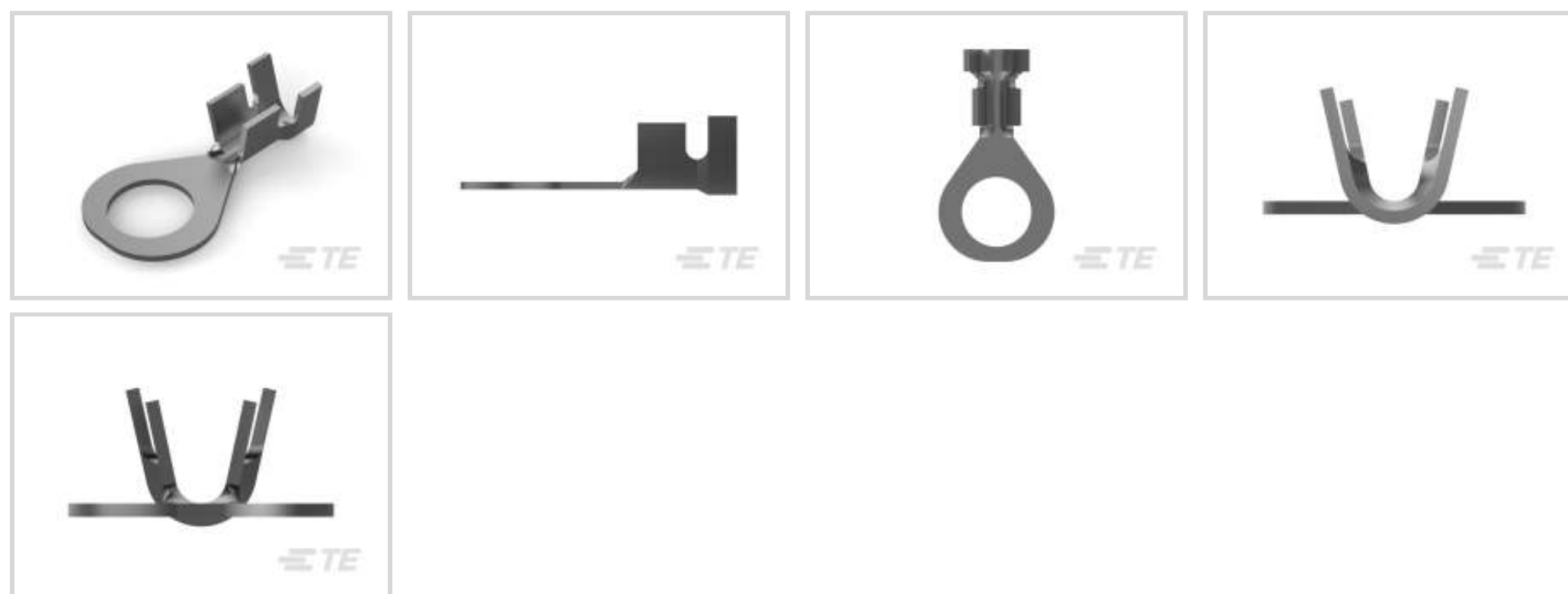
Ring Terminals & Spade Terminals, Ring Tongue, 11 – 10 AWG

Wire Size, 4 – 6 mm<sup>2</sup> Wire Size, 8234 – 10383 CMA Wire Size, Stud

Size 5/16 / M8

[View on TE.com >](#)

Terminals & Splices > Ring Terminals & Spade Terminals



Ring & Spade Terminal Type: **Ring Tongue**

Wire Size: **8234 – 10383 CMA**

Stud Size: **5/16, M8**

## Features

### Product Type Features

Shape Description	Circular/Oval
Stud Size	5/16, M8
Sealable	No
Compatible With Discrete Wire Type	Stranded
Wire Insulation Support Retention Type	Insulation Support

### Configuration Features

Number of Holes	1
-----------------	---

### Body Features

Product Weight	1.392 g
----------------	---------

### Contact Features

Contact Base Material	Brass
Ring & Spade Terminal Type	Ring Tongue
Barrel Type	Open
Terminal Orientation	Straight
Terminal Plating Material	Tin
Contact Underplating Material	Nickel



### Mechanical Attachment

Wire Insulation Support	With
-------------------------	------

### Dimensions

	.15 in
Wire Size	8234 – 10383 CMA
Stud Diameter	8.3 mm[.327 in]
Tongue Thickness	.7 mm[.028 in]
Product Length	26.16 mm[1.03 in]
Barrel Inside Diameter	2.66 mm, 4.44 mm[.105 in][.175 in]
Compatible Insulation Diameter (Max)	5.31 mm[.209 in]
Compatible Insulation Diameter Range	3.8 – 5.3 mm[.15 – .209 in]

### Usage Conditions

Insulation Option	Uninsulated
Operating Temperature Range	-40 – 110 °C[-40 – 230 °F]

### Operation/Application

Compatible With Wire Base Material	Copper
------------------------------------	--------

### Industry Standards

Government Qualified Terminal	No
-------------------------------	----

### Packaging Features

Packaging Quantity	2000
Packaging Method	Strip/Reel

### Product Compliance

[For compliance documentation, visit the product page on TE.com>](#)

EU RoHS Directive 2011/65/EU	Compliant
EU ELV Directive 2000/53/EC	Compliant
China RoHS 2 Directive MIIT Order No 32, 2016	No Restricted Materials Above Threshold
EU REACH Regulation (EC) No. 1907/2006	Current ECHA Candidate List: JUNE 2023 (235) Candidate List Declared Against: JUNE 2023 (235) Does not contain REACH SVHC
Halogen Content	Low Halogen - Br, Cl, F, I < 900 ppm per homogenous material. Also BFR/CFR/PVC

Free

Solder Process Capability

Not applicable for solder process capability

Product Compliance Disclaimer

This information is provided based on reasonable inquiry of our suppliers and represents our current actual knowledge based on the information they provided. This information is subject to change. The part numbers that TE has identified as EU RoHS compliant have a maximum concentration of 0.1% by weight in homogenous materials for lead, hexavalent chromium, mercury, PBB, PBDE, DBP, BBP, DEHP, DIBP, and 0.01% for cadmium, or qualify for an exemption to these limits as defined in the Annexes of Directive 2011/65/EU (RoHS2). Finished electrical and electronic equipment products will be CE marked as required by Directive 2011/65/EU. Components may not be CE marked. Additionally, the part numbers that TE has identified as EU ELV compliant have a maximum concentration of 0.1% by weight in homogenous materials for lead, hexavalent chromium, and mercury, and 0.01% for cadmium, or qualify for an exemption to these limits as defined in the Annexes of Directive 2000/53/EC (ELV). Regarding the REACH Regulation, the information TE provides on SVHC in articles for this part number is based on the latest European Chemicals Agency (ECHA) 'Guidance on requirements for substances in articles' posted at this URL: <https://echa.europa.eu/guidance-documents/guidance-on-reach>

### Compatible Parts



TE Part # 41126  
RING 12-10 AWG TPBR



TE Part # 160163-2  
RING TONGUE WITH IS 3.1-5.3 MM2 TPBR



TE Part # 160181-2  
RING TONGUE IS 3.1-5.3 MM2 TPBR



TE Part # 160336-2  
RING TONGUE IS 12-10 0.295 X .650 TPBR



TE Part # 160134-5  
RING TONGUE WITH IS 12-10 AWG PHBZ



TE Part # 160134-2  
RING TONGUE WITH IS 12-10 AWG TPBR



TE Part # 280267-2  
COSSE RONDE 12 10



TE Part # 140656  
TERMINAL RING TONGUE 12 10

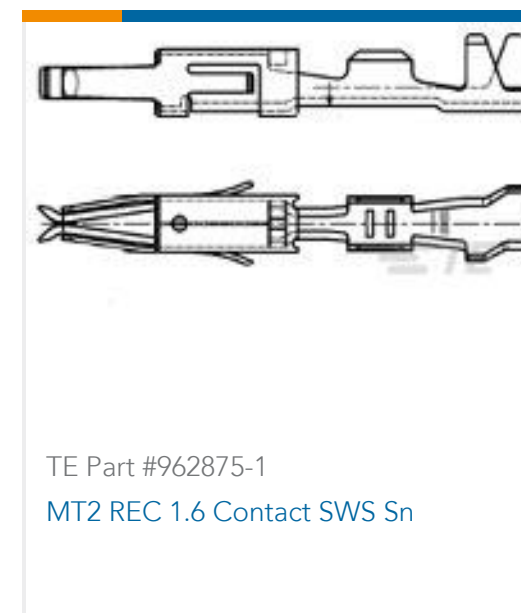
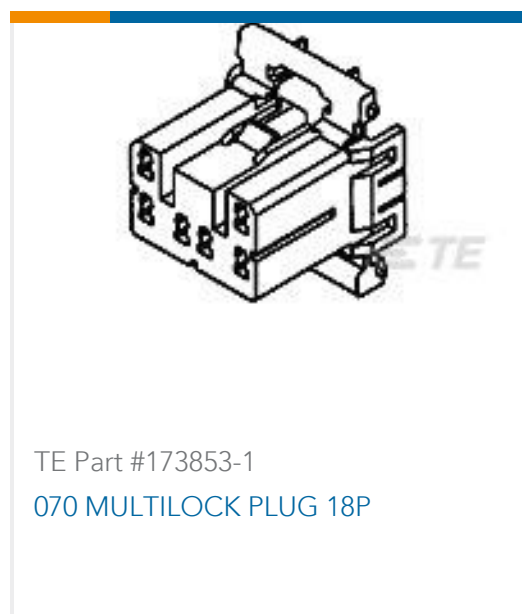


TE Part # 160411-5  
RING TONGUE I.S.



TE Part # 280261-2  
OPEN BARREL RINGTON

### Customers Also Bought



## Documents

### Product Drawings

[RING TONGUE 4-6MM2 0.0276X0.650 TPBR](#)

English

### CAD Files

[3D PDF](#)

3D

Customer View Model

[ENG\\_CVM\\_CVM\\_280268-2\\_E.2d\\_dxf.zip](#)

English

Customer View Model

[ENG\\_CVM\\_CVM\\_280268-2\\_E.3d\\_igs.zip](#)

English

Customer View Model

[ENG\\_CVM\\_CVM\\_280268-2\\_E.3d\\_stp.zip](#)

English

By downloading the CAD file I accept and agree to the [Terms and Conditions](#) of use.

### Product Specifications



**Product Specification**

English

**Product Specification**

English

**Product Specification**

English

---

**Product Environmental Compliance**

**Product Compliance**

English

**Product Compliance**

English

---

**Agency Approvals**

**Agency Approval Document**

English