

RECEPTACLE

DIMENSIONS SHOWN METRIC () INCH

UNLESS OTHERWISE SPECIFIED TOLERANCES: ANGULAR ± .005° TO

	INCH	METRIC
3 PLACE	± .010	---
2 PLACE	± .014	± 0.25
1 PLACE	---	± 0.35

DRAFT WHERE APPLICABLE MUST REMAIN WITHIN DIMENSIONS

DRWG. BY: RAS
APP'D. BY: RAS

REVISIONS ONLY ON CAD SYSTEM

TITLE	.093/(2.36) HOUSING, PLUG AND RECEPTACLE, 9 CKT., .264/(6.70) CTRS.	
PART NO.	MOLEX INCORPORATED	SHEET NO. 2
DATE	8/2/89	

SEE CHART
SD-3191-9
DIV. CP
SIZE

LTR.	REVISIONS	LTR.	REVISIONS
		J	SEE SHT. 1

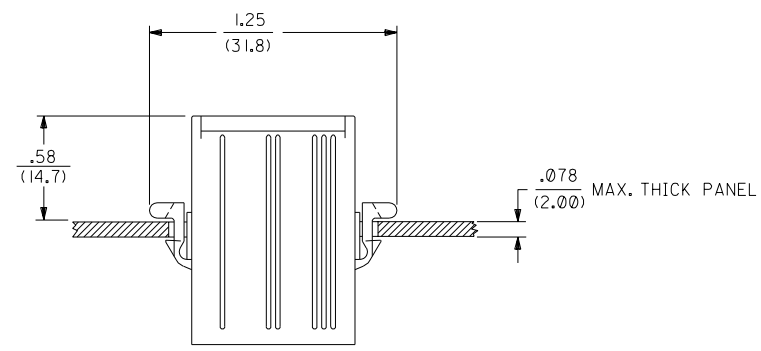
PLUG		RECEPTACLE	
PART NO.	ENG. NO.	PART NO.	ENG. NO.
19-09-2098	3191-9P	19-09-1099	3191-9R1
19-09-2099	3191-9P1	19-09-1096	3191-9R1-201
19-09-2097	3191-9P-201		
19-09-2096	3191-9P1-201		

LEGEND:
 3191-9****-*

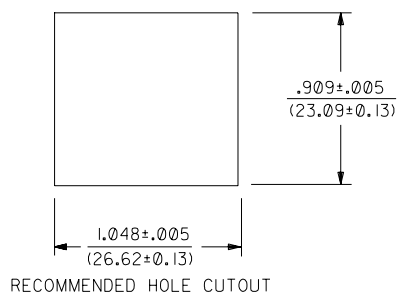
CIRCUIT SIZE

P = PLUG
 R = RECEPTACLE

EARS: BLANK = WITH PREBENT EARS (PLUG ONLY)
 I = WITHOUT EARS



COLOR: BLANK = NATURAL COLOR
 AM=AMBER BK=BLACK BU=BLUE
 BN=BROWN GY=GRAY GN=GREEN
 OR=ORANGE RD=RED YW=YELLOW
 COLORS AVAILABLE ONLY IN 94V-2 MATERIAL
MATERIAL: BLANK=NYLON TYPE 6/6, 94V-2
 201=NYLON TYPE 6/6, 94V-0



NOTES:
 I. THESE HOUSINGS FOR USE WITH MOLEX .093/(2.36) DIAMETER SERIES TERMINALS.

DIMENSIONS SHOWN (METRIC) INCH UNLESS OTHERWISE SPECIFIED TOLERANCES: ANGULAR ± .02° 0		REVISE ONLY ON CAD SYSTEM																	
<table border="1"> <thead> <tr> <th></th> <th>INCH</th> <th>METRIC</th> </tr> </thead> <tbody> <tr> <td>3 PLACE</td> <td>± .010</td> <td>---</td> </tr> <tr> <td>2 PLACE</td> <td>± .014</td> <td>± 0.25</td> </tr> <tr> <td>1 PLACE</td> <td>---</td> <td>± 0.35</td> </tr> </tbody> </table>			INCH	METRIC	3 PLACE	± .010	---	2 PLACE	± .014	± 0.25	1 PLACE	---	± 0.35	<table border="1"> <tr> <td colspan="2">TITLE .093/(2.36) HOUSINGS PLUG AND RECEPTACLE 9 CKT., .264/(6.70) CTRS.</td> </tr> <tr> <td>MOLEX INCORPORATED LITL, ILL. 60532 U.S.A.</td> <td>SHEET NO. 3 DATE 8/ 2/89</td> </tr> </table>		TITLE .093/(2.36) HOUSINGS PLUG AND RECEPTACLE 9 CKT., .264/(6.70) CTRS.		MOLEX INCORPORATED LITL, ILL. 60532 U.S.A.	SHEET NO. 3 DATE 8/ 2/89
	INCH	METRIC																	
3 PLACE	± .010	---																	
2 PLACE	± .014	± 0.25																	
1 PLACE	---	± 0.35																	
TITLE .093/(2.36) HOUSINGS PLUG AND RECEPTACLE 9 CKT., .264/(6.70) CTRS.																			
MOLEX INCORPORATED LITL, ILL. 60532 U.S.A.	SHEET NO. 3 DATE 8/ 2/89																		
DRAFT WHERE APPLICABLE MUST REMAIN WITHIN DIMENSIONS		PART NO. SD-3191-9*																	
DRWG. BY: GEP	CHK'D. BY: RW	FILE NAME: S31919X3.DGN	THIS DRAWING CONTAINS INFORMATION THAT IS PROPRIETARY TO MOLEX INC. AND SHOULD NOT BE USED WITHOUT WRITTEN PERMISSION																
APP'D. BY: RAS	SCALE: --:--	NO P.S. 1																	
LTR. REVISIONS	LTR. REVISIONS																		