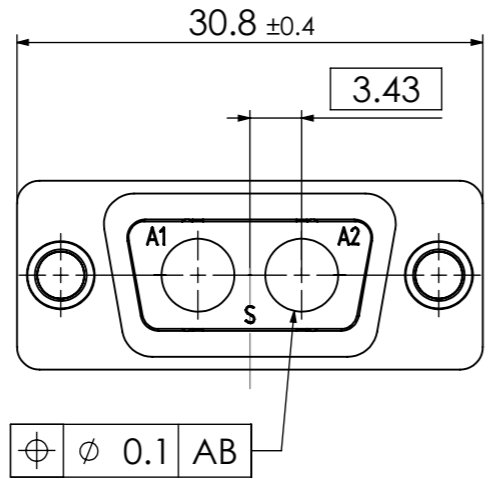
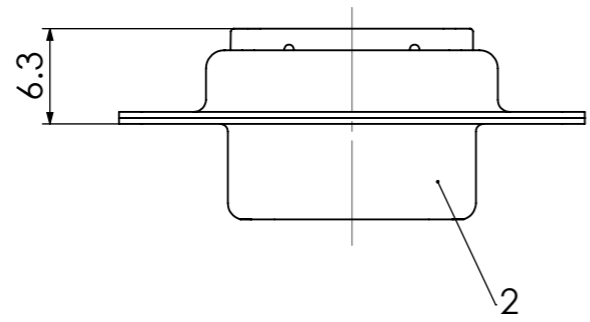
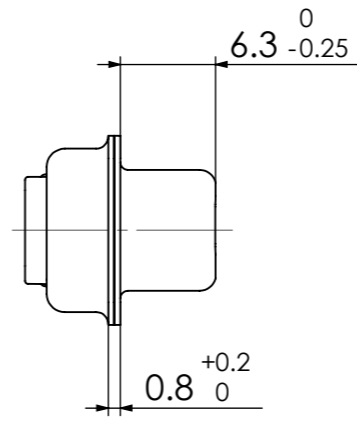
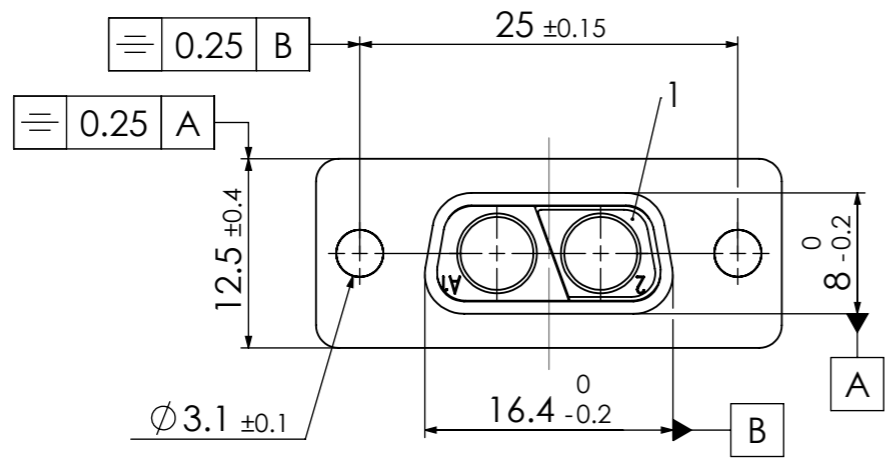


COMMENT: ALL RIGHTS ARE RESERVED BY US FOR THIS DRAWING. WITHOUT OUR PRIOR CONSENT, IT MAY NEITHER BE DUPLICATED NOR MADE AVAILABLE TO A THIRD PARTY. AND IT ALSO MAY NOT BE IMPROPERLY USED BY THE RECEIVER, OR A THIRD PARTY.



RoHS compliant

No.	St.	Part	Type Description/Material	Surface plating/Colour/Class
2	1	Shell	Steel	tin plated
1	1	Insulator	PBT (-55°C - +130°C)	black

				SCALE	TITLE
				2:1	D-Sub Mixed-Layout Connector
		NAME / DATE			
DRAWN		Denzinger 29-10-2002			
CHECKED		floßmann 29-10-2002			
				DWG.NO.	REV.
1				F2W2SC-K121	1
REV.	DATE	CH.-NO.	ORIGINAL: DIN A3-DRAWING AS A FILE	REPLACEMENT FOR:	PAGES 1