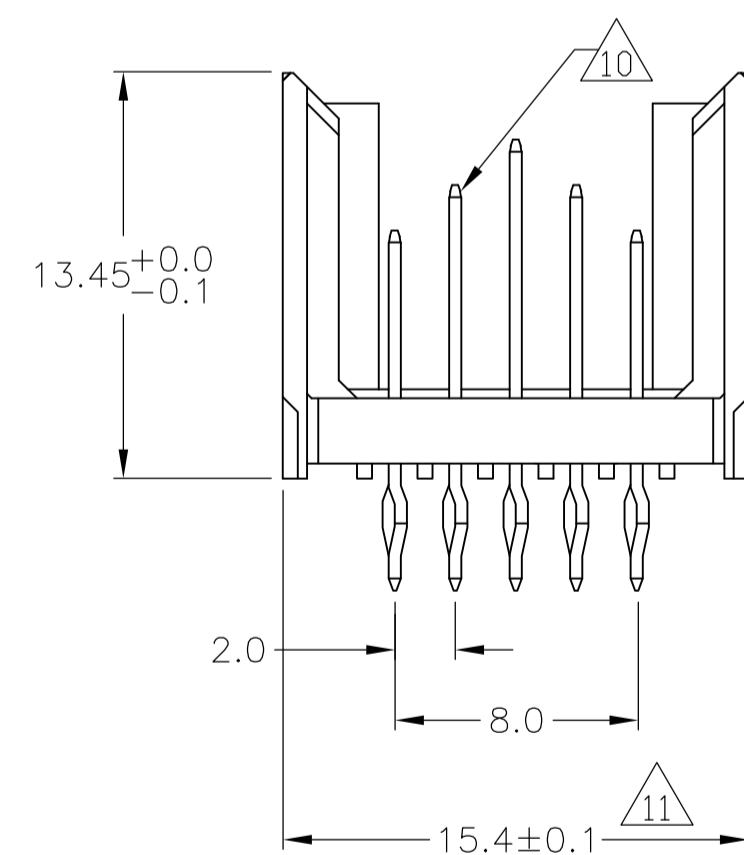
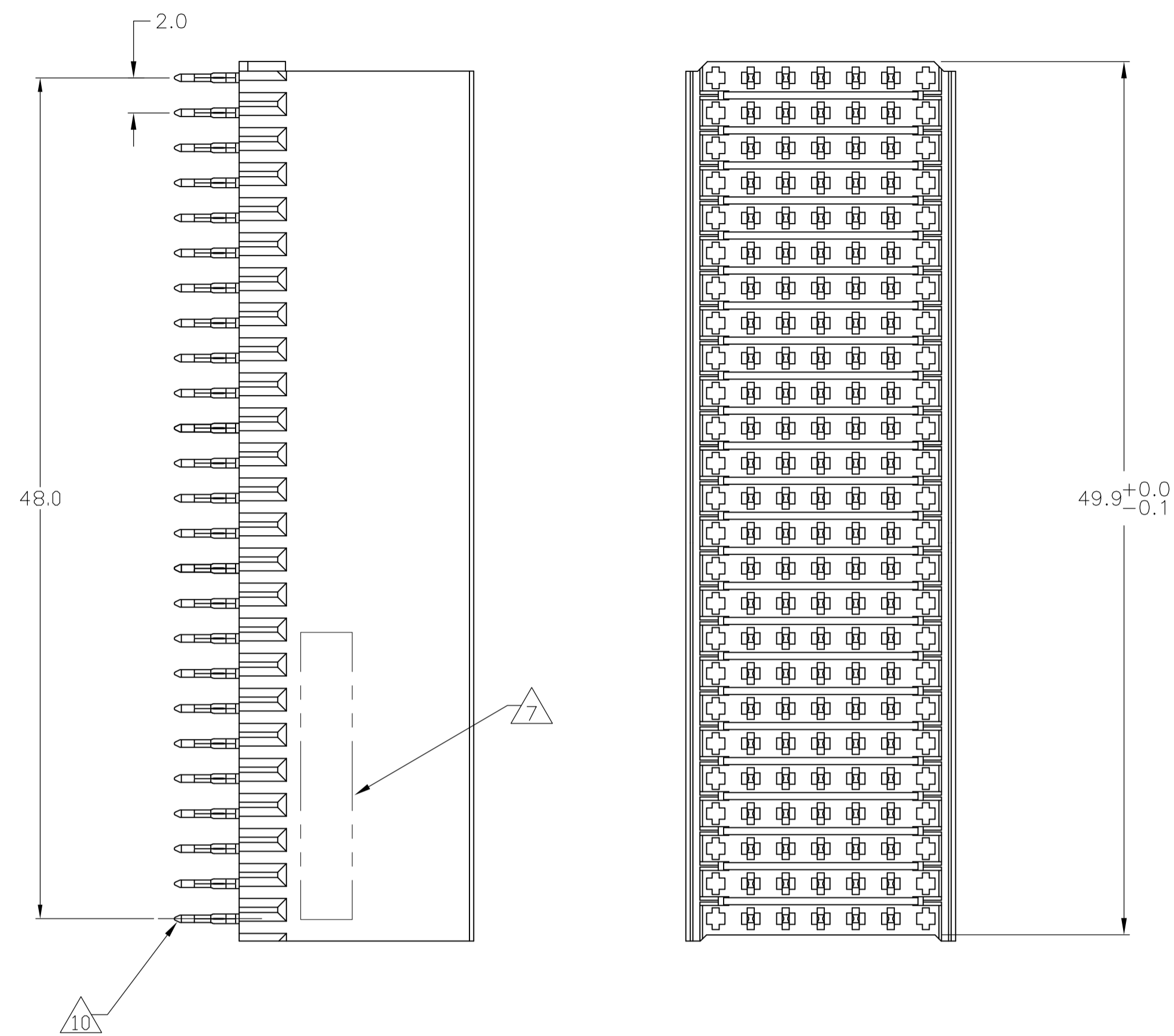


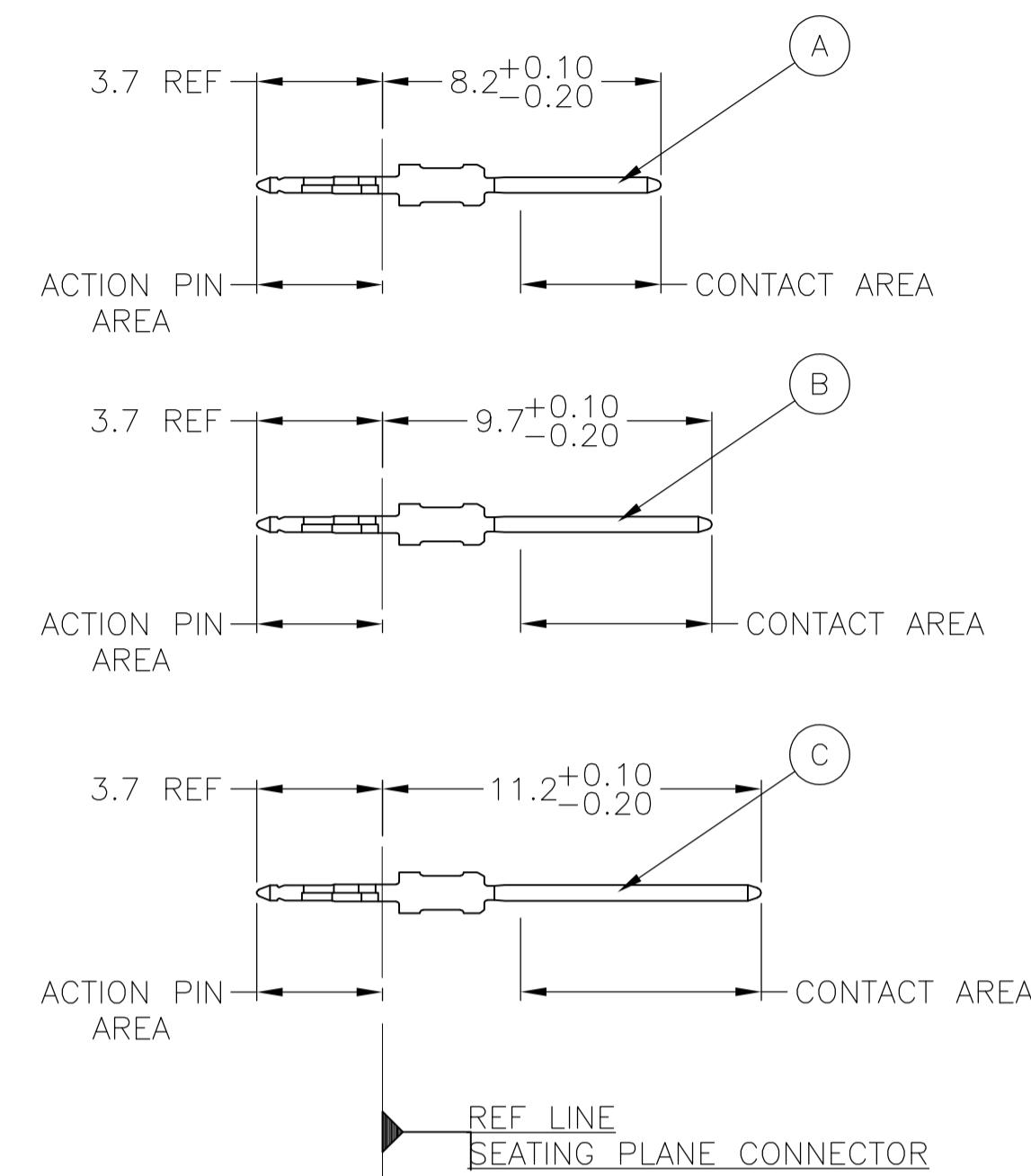
| LOC | | DIST | | REVISIONS | | | |
|-----|----|------|-----|-------------------------|---------|----|------|
| AD | 00 | F | LTR | DESCRIPTION | DATE | DN | APVD |
| | | F | | REV PER EC 0512-0304-05 | 23MAY06 | BC | GS |
| | | G | | ECR-10-018652 | 10SEP10 | SW | MQW |
| | | H | | ECR-12-010652 | 6NOV12 | SY | AC |

CONNECTOR ASSEMBLY EXAMPLARY LOADED $\triangle 9$



CONTACT DIMENSIONS

SCALE 5:1



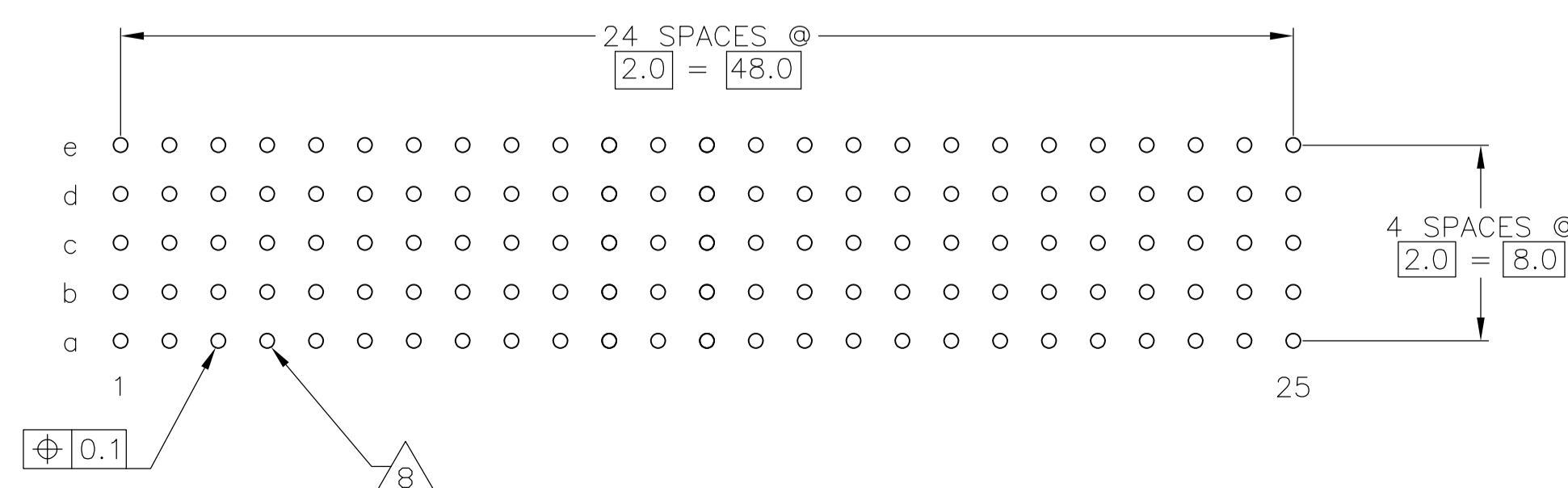
CONTACT LAYOUT

| | z | a | b | c | d | e | f |
|----|---|---|---|---|---|---|---|
| 1 | | A | B | C | B | A | |
| 2 | | A | B | C | B | A | |
| 3 | | A | B | C | B | A | |
| 4 | | A | B | C | B | A | |
| 5 | | A | B | C | B | A | |
| 6 | | A | B | C | B | A | |
| 7 | | A | B | C | B | A | |
| 8 | | A | B | C | B | A | |
| 9 | | A | B | C | B | A | |
| 10 | | A | B | C | B | A | |
| 11 | | A | B | C | B | A | |
| 12 | | A | B | C | B | A | |
| 13 | | A | B | C | B | A | |
| 14 | | A | B | C | B | A | |
| 15 | | A | B | C | B | A | |
| 16 | | A | B | C | B | A | |
| 17 | | A | B | C | B | A | |
| 18 | | A | B | C | B | A | |
| 19 | | A | B | C | B | A | |
| 20 | | A | B | C | B | A | |
| 21 | | A | B | C | B | A | |
| 22 | | A | B | C | B | A | |
| 23 | | A | B | C | B | A | |
| 24 | | A | B | C | B | A | |
| 25 | | A | B | C | B | A | |

RECOMMENDED PCB-HOLE LAYOUT COMPONENT SIDE SHOWN

PLATED THRU HOLES PARAMETERS

REFERENCE APPLICATION SPECIFICATION



| | | |
|----------|--|-------------|
| OBSOLETE | $\triangle 2$ $\triangle 6$ $\triangle 12$ | 1-106414-9 |
| | $\triangle 2$ $\triangle 5$ $\triangle 12$ | 106414-9 |
| | $\triangle 2$ $\triangle 4$ | 106414-4 |
| | $\triangle 2$ $\triangle 3$ | 106414-1 |
| | FINISH | PART NUMBER |

| | | | | |
|--|--|---------------------------|---|--|
| THIS DRAWING IS A CONTROLLED DOCUMENT. | | DIN B CARBO 21APR05 | Tyco Electronics Corporation Harrisburg, Pa 17105-3608 | |
| DIMENSIONS: mm | | CHK G SKIPPER 21APR05 | NAME Tyco Electronics | |
| TOLERANCES UNLESS OTHERWISE SPECIFIED: | | APVD G SKIPPER 21APR05 | PRODUCT SPEC | |
| 0-PLC ± | | 108-19082 | | |
| 1-PLC ± 0.1 | | APPLICATION SPEC | | |
| 2-PLC ± | | 114-19029 | | |
| 3-PLC ± | | SIZE CAGE CODE DRAWING NO | | |
| 4-PLC ± | | A1 00779 C=106414 | | |
| ANGLES | | RESTRICTED TO | | |
| MATERIAL $\triangle 1$ | | WEIGHT | | |
| SEE TABLE | | CUSTOMER DRAWING | | |

| LOC | | DIST | | REVISIONS | | | | |
|-----|-----|-------------|------|-----------|------|--|--|--|
| P | LTR | DESCRIPTION | DATE | DN | APVD | | | |
| AD | 00 | SEE SHEET 1 | - | - | - | | | |

- 1 MATERIAL:
CONTACT: PHOSPHOR BRONZE.
HOUSING: GLASS-FILLED POLYESTER.
- 2 GENERAL PLATING SPECIFICATION: UNDERPLATING
(ENTIRE CONTACT): 1.27µm MIN NICKEL AND ACTION
PIN: 0.5µm MIN TIN/LEAD.
FOR PLATING OF MATING SURFACES SEE APPLICABLE
SPECIFICATION REFERENCE FOR EACH DASH NUMBER.
- 3 CONFORMS TO ALL TESTING ACCORDING TO IEC 61076-4-101
PERFORMANCE LEVEL 2.
- 4 CONFORMS TO ALL TESTING ACCORDING TO IEC 61076-4-101
PERFORMANCE LEVEL 1.
- 5 CONNECTOR TESTED AND QUALIFIED AGAINST TELCORDIA GR-1217-CORE QUALITY LEVEL 3,
CENTRAL OFFICE APPLICATIONS.
- 6 CONNECTOR TESTED AND QUALIFIED AGAINST TELCORDIA GR-1217-CORE QUALITY LEVEL 3,
UNCONTROLLED ENVIROMENT APPLICATIONS.
- 7 CONNECTOR MARKED WITH PART NUMBER AND DATE CODE.
ADDITIONAL CHARACTERS OR MARKINGS, AS WELL AS THE LOCATION OF THE MARKINGS,
MAY BE ADDED FOR TRACEABILITY BASED UPON MANUFACTURERS DISCRETION.
- 8 PLATED-THROUGH HOLES AT 2x2mm SQUARE GRID
PATTERN DEFINED BY CONTACT LAYOUT.
- 9 FOR ACTUAL PIN LOADING SEE "CONTACT LAYOUT".
- 10 FOR ACTUAL PIN DIMENSIONS SEE "CONTACT DIMENSIONS".
- 11 TO BE MEASURED AT BOTTOM OF SHROUD.
- 12 CONNECTOR LUBRICATED WITH BELCORE APPROVED LUBRICANT,
TECHNICAL REFERENCE: TR-NWT-001217 ISSUE 1, SEP 1992.

| | | | | | |
|--|--|--|--|---|--|
| THIS DRAWING IS A CONTROLLED DOCUMENT. | | DIN B CARBO 21APR05 | | Tyco Electronics Corporation Harrisburg, Pa 17105-3608 | |
| DIMENSIONS: mm | | TOLERANCES UNLESS OTHERWISE SPECIFIED: 0-PLC ± 1-PLC ±0.1 2-PLC ± 3-PLC ± 4-PLC ± ANGLES ± | | G.SKIPPER 21APR05 | |
| | | ±0.2 | | NAME: MALE ASSEMBLY, Z-PACK 2mm HM, TYPE B | |
| MATERIAL: SEE SHEET 1 | | FINISH: SEE SHEET 1 | | PRODUCT SPEC: 108-19082 | |
| | | APPLICATION SPEC: 114-19029 | | SIZE: A1 | |
| | | WEIGHT: - | | CAGE CODE: 00779 | |
| | | CUSTOMER DRAWING | | DRAWING NO: 106414 | |
| | | SCALE: 4:1 | | SHEET 2 OF 2 | |
| | | | | REV H | |