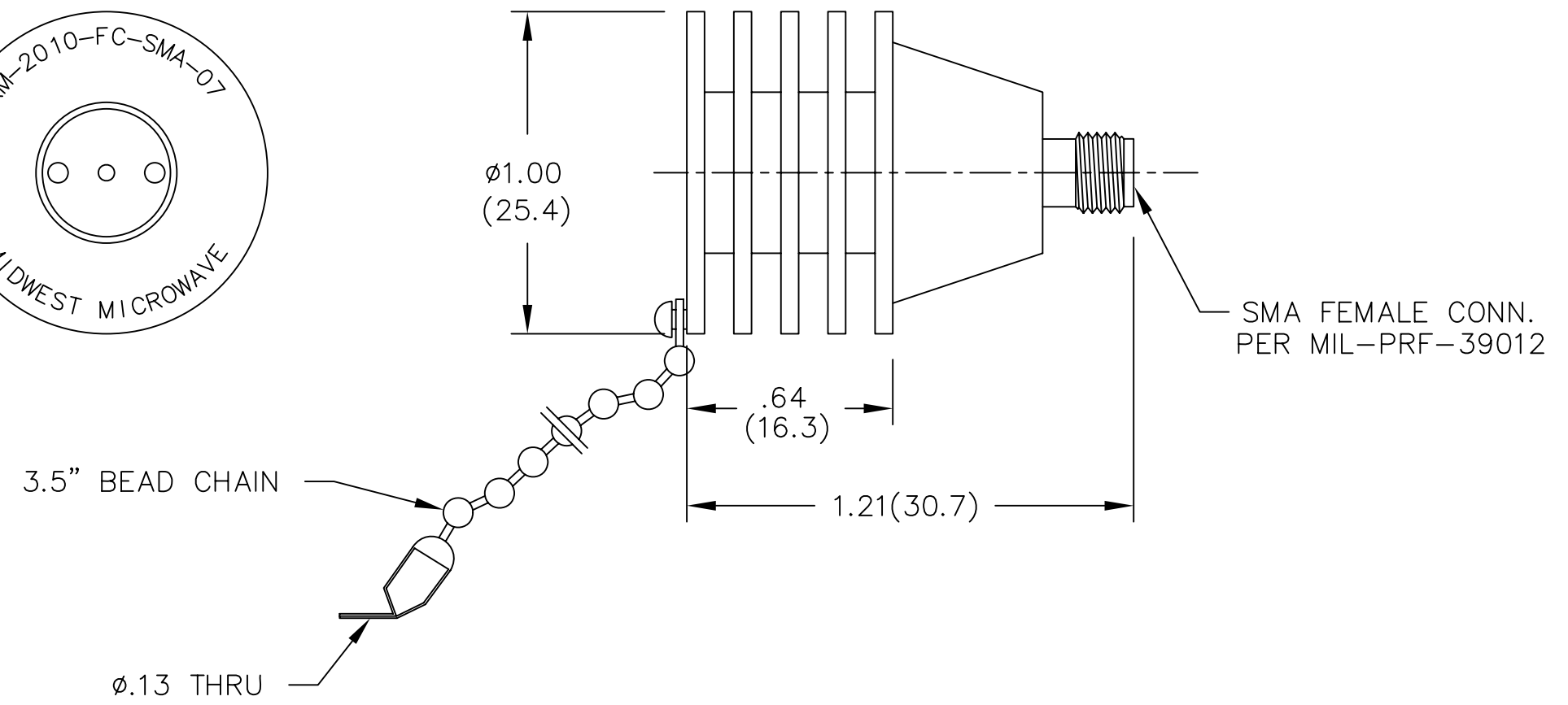
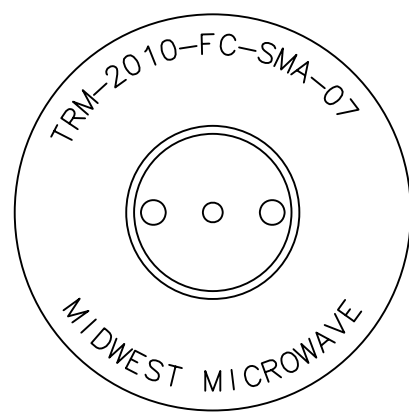


NOTES:

- 1.0 ELECTRICAL SPECIFICATIONS:
  - 1.1 FREQUENCY RANGE: DC to 18.0 GHz
  - 1.2 MAXIMUM INPUT POWER: 5 WATTS AVG. AT +40°C DERATED LINEARLY TO 0.5 WATTS AT +125°C
  - 1.3 OPERATING TEMP. RANGE: -55°C to +125°C
  - 1.4 IMPEDANCE: 50 OHMS
  - 1.5 MAXIMUM VSWR: 1.05 +0.01f(GHz)

2.0 MARKING: MARK UNIT AS SHOWN.  
(REF.: INK-01526-27-04)

3.0 DIMENSIONS IN PARENTHESIS ARE  
IN MILLIMETERS.



REV.	DESCRIPTION	DATE
-	RELEASED	3/25/92
A	ECN 15506	9/23/96
A1	ADDED TITLEBLOCK	10/26/05

UNLESS OTHERWISE NOTED DIMENSIONS ARE IN INCHES AND TOLERANCES ARE:  3 PLACE DECIMALS ±.005 2 PLACE DECIMALS ±.02 FRACTIONS ±1/64 PARALLELITY: T.I.R. _____ FLATNESS: T.I.R. _____ CONCENTRICITY: T.I.R. _____ ANGLES AND PERPENDICULARITY: ±1°	FSCM NO. <b>34078</b>		<b>MIDWEST MICROWAVE</b>		
	NOTICE: The information contained in this drawing is proprietary and must not be used without the permission of Midwest Microwave			TITLE TERMINATION	
	DRAWN/DATE A.BEATTY 3/17/92	ENG./DATE G.KOZAK 3/25/92	DRAWING NUMBER TRM-2010-FC-SMA-07		
	CHECKED/DATE	APPROVED/DATE	SCALE: 2=1	SHEET 1 of 1	