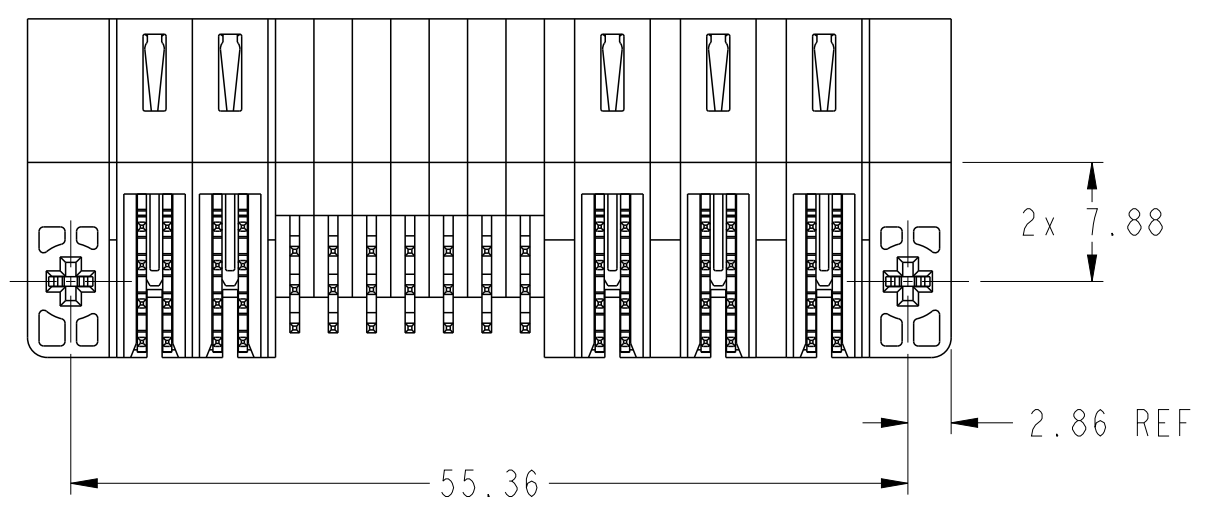
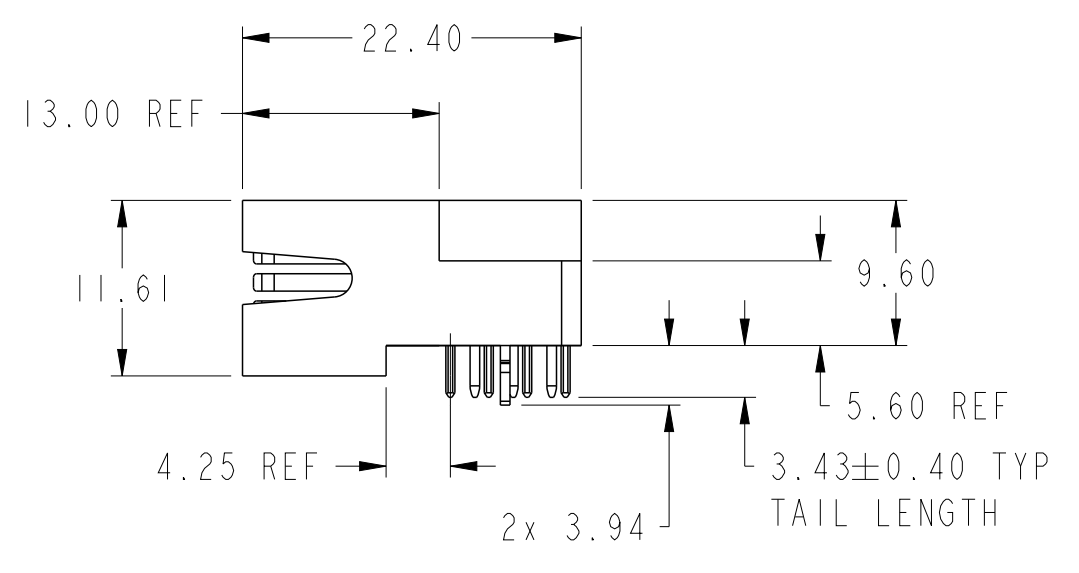
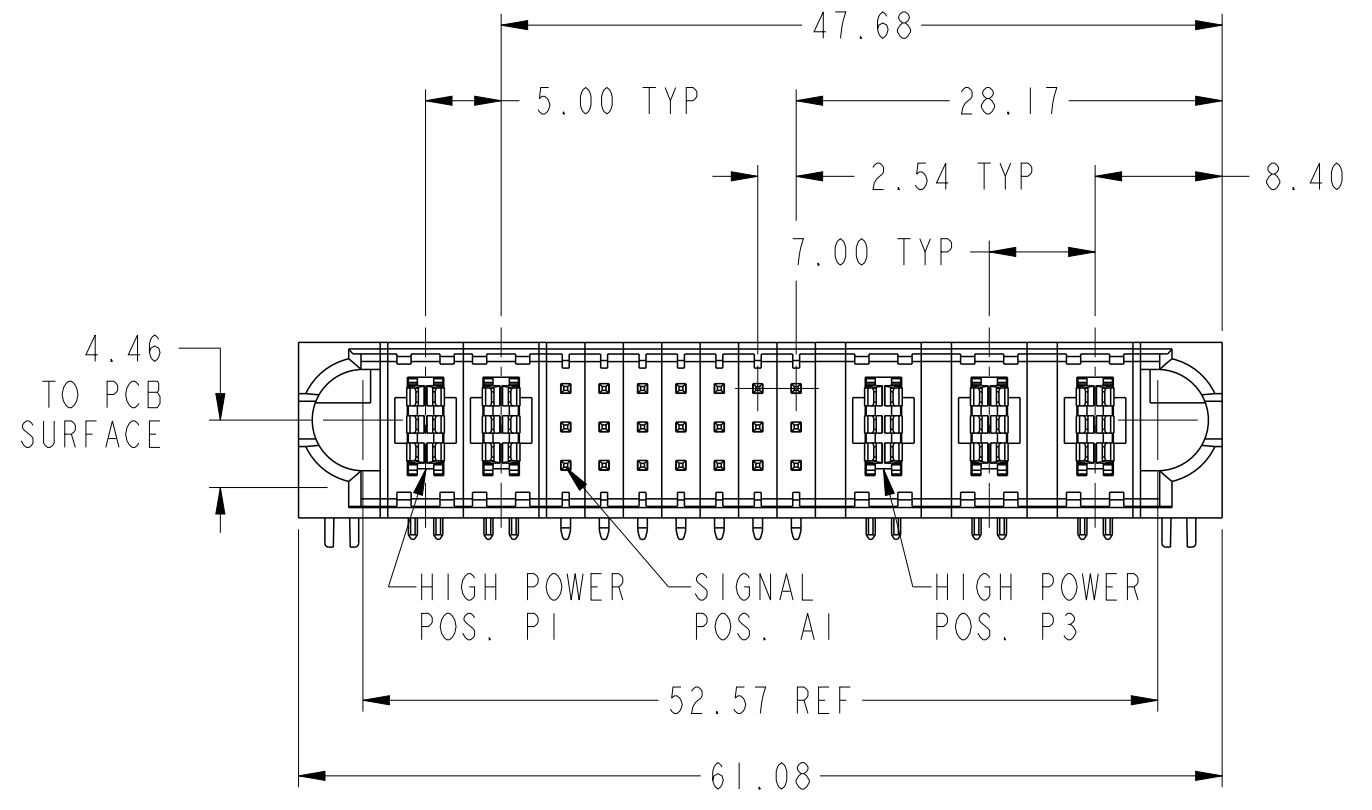
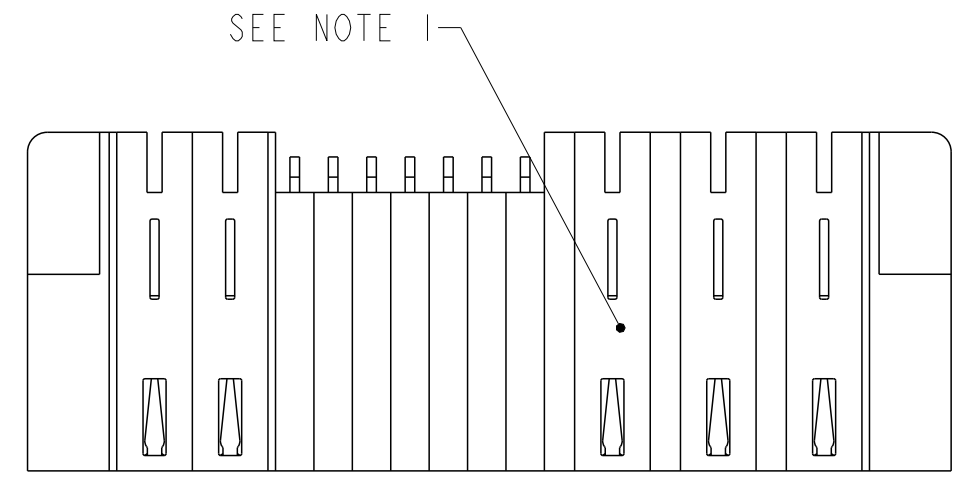


PRODUCT NUMBER
10127397-05HI430LF



Amphenol
FCi

© 2016 AFci

spec ref	-	dr	De-Ming Lu	2016/02/29	projection	mm	size	A2	scale	2:1
tolerance std	ISO 406 ISO 1101	eng	De-Ming Lu	2016/03/16		mm	ecn no	-	rel level	Released
TOLERANCES UNLESS OTHERWISE SPECIFIED		chr	Fancy Zhang	2016/03/16						
surface	ISO 1302	appr	Pei-Ming Zheng	2016/03/16	product family	PwrBlade ULTRA	cat. no.	-	Product - Customer Drw	sheet 1 of 3
	linear	0.X	±0.5		2HP+2IS+3HVP, SOLDER		title R/A PLUG, PwrBlade ULTRA dwg no 10127397-05HI430	rev A		
		0.XX	±0.25							
	angular	0°	±2°							

PDS: Rev :A

STATUS:Released

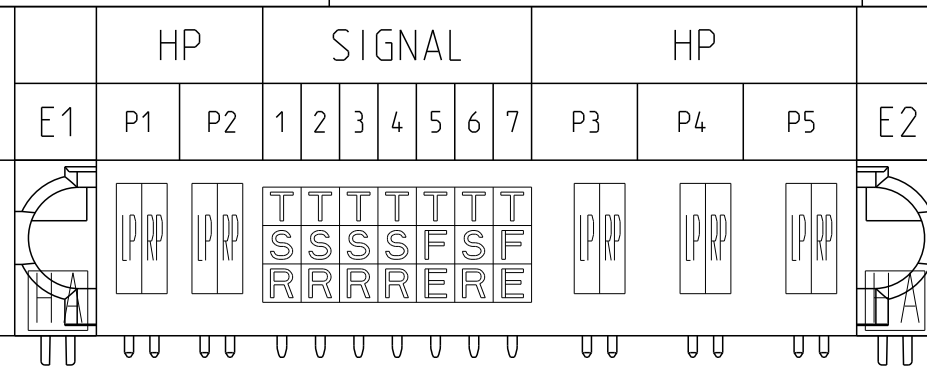
Printed: Mar 16, 2016

PRODUCT NO.

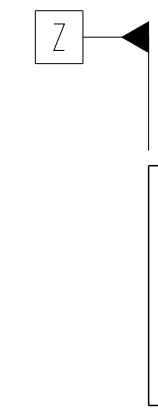
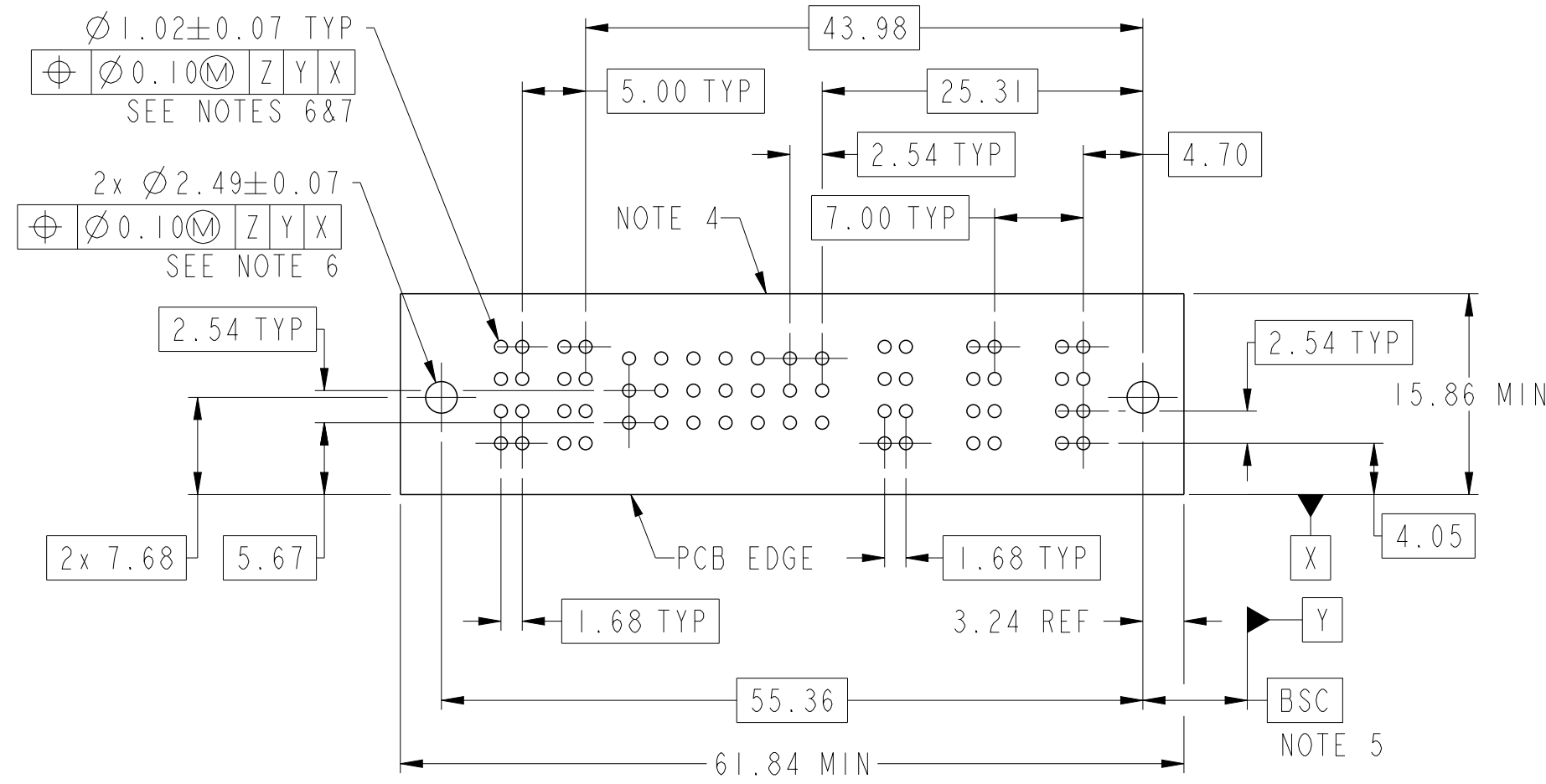
ROWS

10127397-05HI430LF

C
B
A



CODE	DESCRIPTION
LP	LEFT POWER CONTACT
RP	RIGHT POWER CONTACT
R	MFBL SIGNAL CONTACT
S	MFBL SIGNAL CONTACT
T	MFBL SIGNAL CONTACT
E	STD SIGNAL CONTACT
F	STD SIGNAL CONTACT
HA	HOLD DOWN



spec ref	-	dr	De-Ming Lu	2016/02/29	projection	mm	size	A2	scale	2:1
tolerance std	ISO 406 ISO 1101	eng	De-Ming Lu	2016/03/16		mm	ecn no	-	rel level	Released
TOLERANCES UNLESS OTHERWISE SPECIFIED		chr	Fancy Zhang	2016/03/16						
surface	ISO 1302	appr	Pei-Ming Zheng	2016/03/16	product family	PwrBlade ULTRA	cat. no.	-	Product - Customer Drw	sheet 2 of 3
	linear	0.X	±0.5		title	2HP+2IS+3HVP, SOLDER	dwg no	10127397-05HI430	rev	A
		0.XX	±0.25				R/A PLUG, PwrBlade ULTRA			
	angular	0°	±2°							

Amphenol FCI

© 2016 AFCI

PRODUCT NUMBER
10127397-05HI430LF

NOTES:

- ①. "FCI", PART NUMBER AND DATE CODE TO BE MARKED ON THIS SURFACE.
THE P/N CAN BE OMITTED IF THERE IS NOT ENOUGH SPACE ON THIS SURFACE.
2. MATERIALS:
HOUSING: GLASS FILLED WITH HIGH TEMP POLYAMIDE, UL94V-0.
POWER CONTACTS: COPPER ALLOY.
SIGNAL CONTACTS: COPPER ALLOY.
HOLD DOWN: COPPER ALLOY.
3. PLATING SPECIFICATION: FCI 10135186.
- ④. DENOTES CONNECTOR KEEP OUT ZONE.
- ⑤. DATUM AND BASIC DIMENSION ARE ESTABLISHED BY CUSTOMER.
- ⑥. ALL HOLE DIAMETERS ARE FINISHED HOLE SIZES.
- ⑦. 1.150±0.025mm DRILLED HOLE PLATED WITH 7.62µm MIN Sn OVER
25.4µm-76.2µm Cu PLATING TO ACHIEVE A 1.02±0.07mm FINISHED HOLE.
8. PRODUCT SPECIFICATION: FCI GS-12-1176.
APPLICATION SPECIFICATION: FCI GS-20-0389.
PRODUCT PACKAGE SPECIFICATION: FCI GS-14-2354.

Amphenol
FCI

© 2016 AFCI

spec ref	-	dr	De-Ming Lu	2016/02/29	projection	mm	size	A2	scale	2:1
tolerance std	ISO 406 ISO 1101	eng	De-Ming Lu	2016/03/16			ecn no	-		
TOLERANCES UNLESS OTHERWISE SPECIFIED		chr	Fancy Zhang	2016/03/16			rel level	Released		
surface	ISO 1302	appr	Pai-Ming Zheng	2016/03/16			product family	PwrBlade ULTRA		
	linear	0.X	±0.5		title		2HP+2IS+3HVP, SOLDER	div no 10127397-05HI430	rev	A
		0.XX	±0.25		R/A PLUG, PwrBlade ULTRA					
		0.XXX	±0.130		cat. no.		-		Product - Customer Drw	sheet 3 of 3
	angular	0°	±2°							

PDS: Rev :A

STATUS:Released

Printed: Mar 16, 2016