



100 MHz LC Lowpass Filter

Part Number: AE100L8904



Electrical specifications

Cutoff Frequency (FC): 100 MHz
Passband: 0-100 MHz
Insertion loss @ 64-100MHz: 1 dB Min
Insertion loss @ 107MHz: 3 dB Min
Return loss: 15 dB Max
Rejection @ 180-1000 MHz: 50 dB Max
Rejection @ 127 MHz: 15 dB Max
Power Handling: 50 Watts

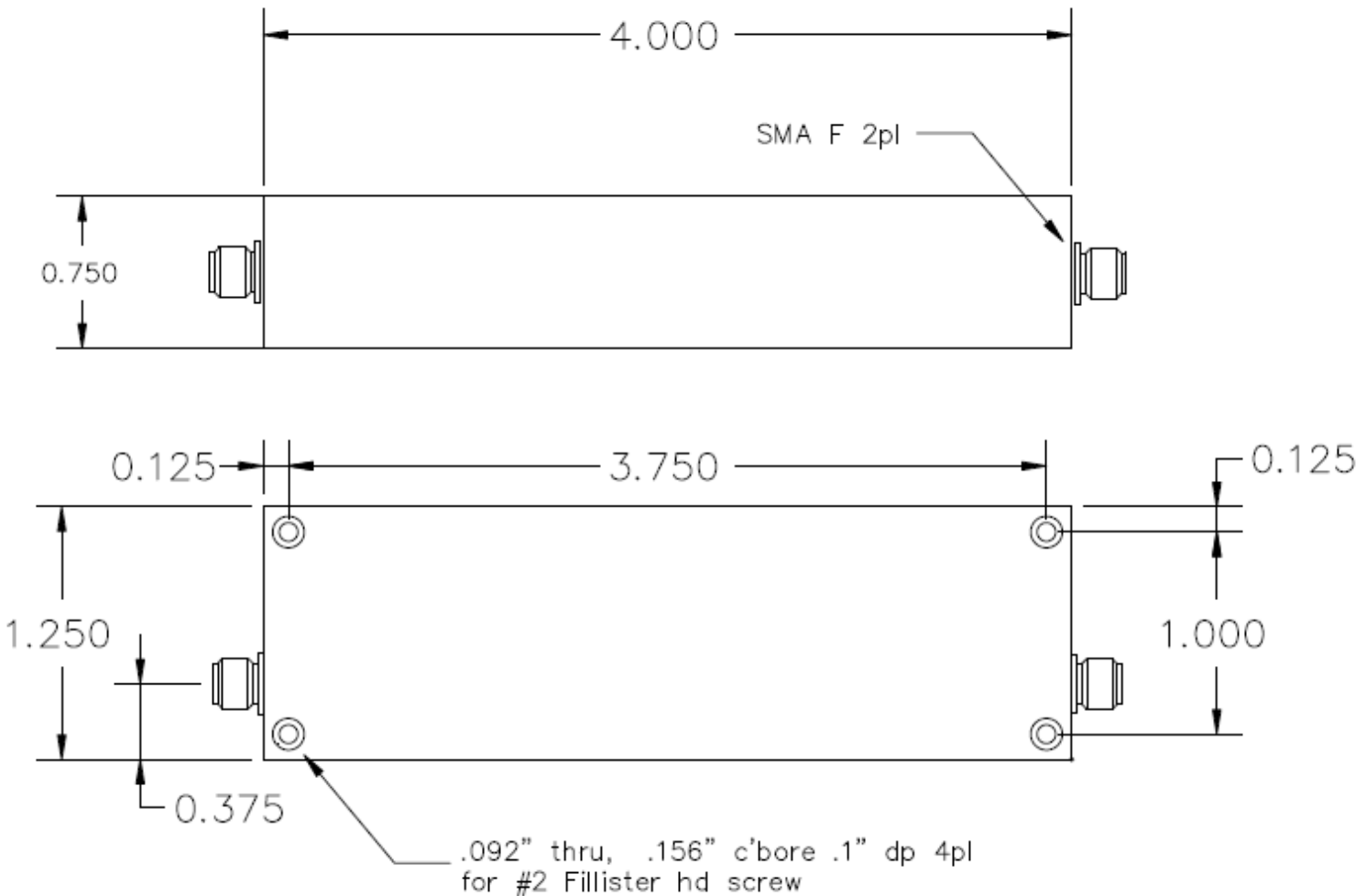
Mechanical

Mounting Method: SMA (F)
Dimensions: 4 x 1.25 x 0.75 Inches

Environmental

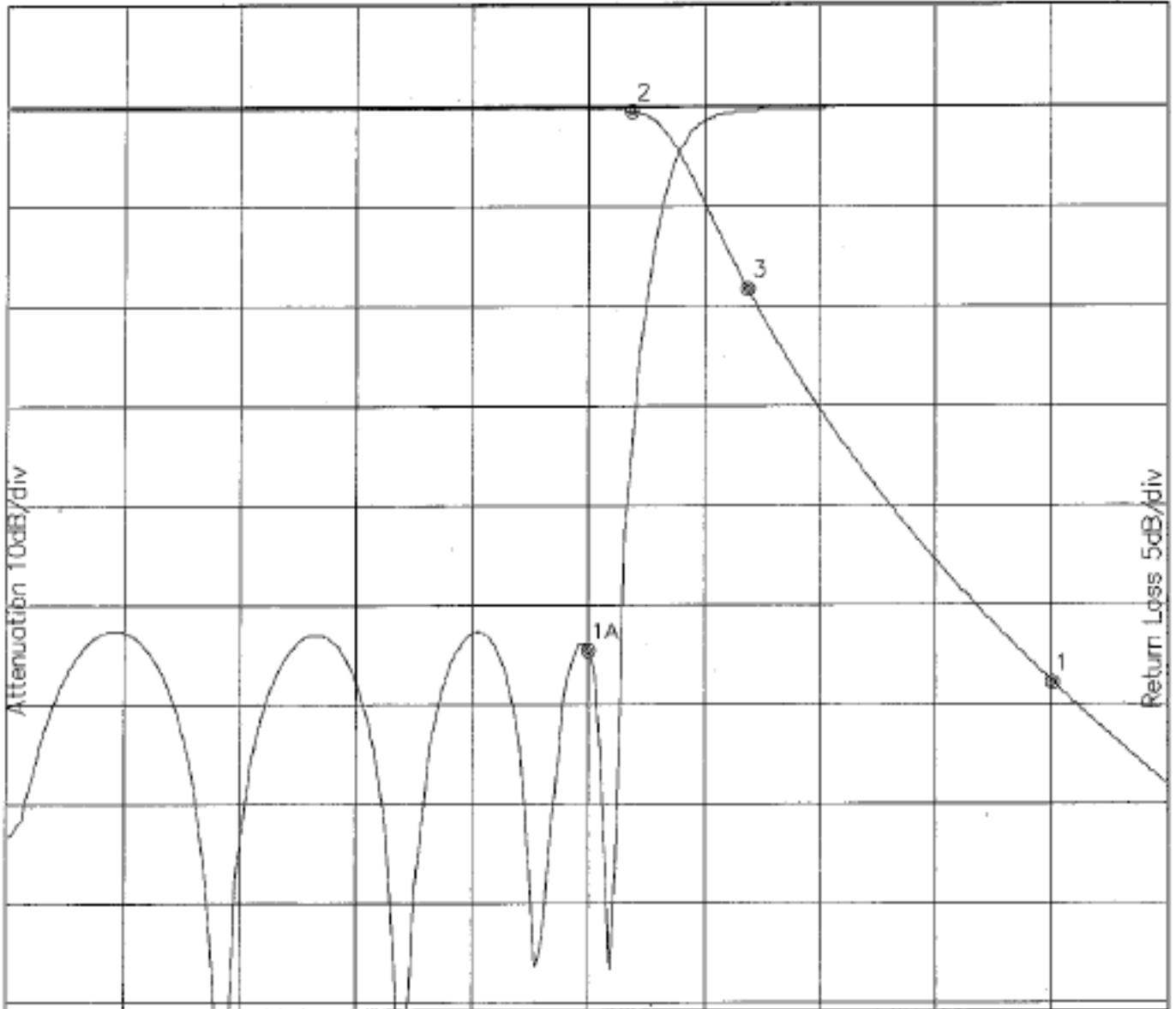
Operating Temperature: -40 to +85° C
Storage Temperature: -55 to +95° C

Outline Drawing:





Response Plot



Attenuation Start: 0.020Hz Stop: 200.0MHz

Return Loss Start: 0.020Hz Stop: 200.0MHz

Marker 1 Freq 180.29MHz Atten -57.756dB
Marker 2 Freq 107.27MHz Atten -0.419dB
Marker 3 Freq 127.30MHz Atten -18.296dB

Marker 1A Freq 99.838MHz Ret Loss -27.336dB