

1

2

3

4

5

6

A

A

B

B

C

C

D

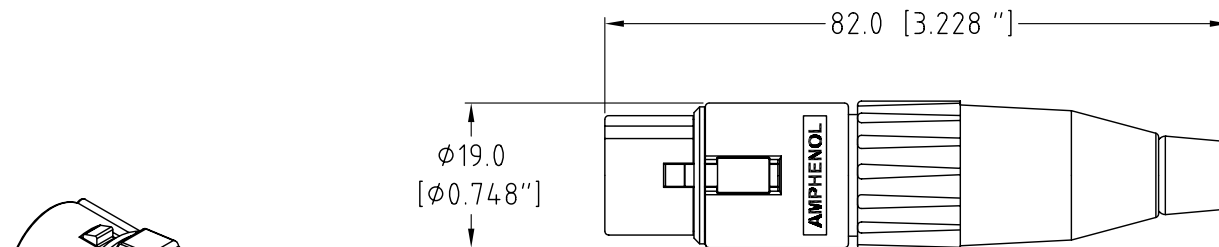
D

E

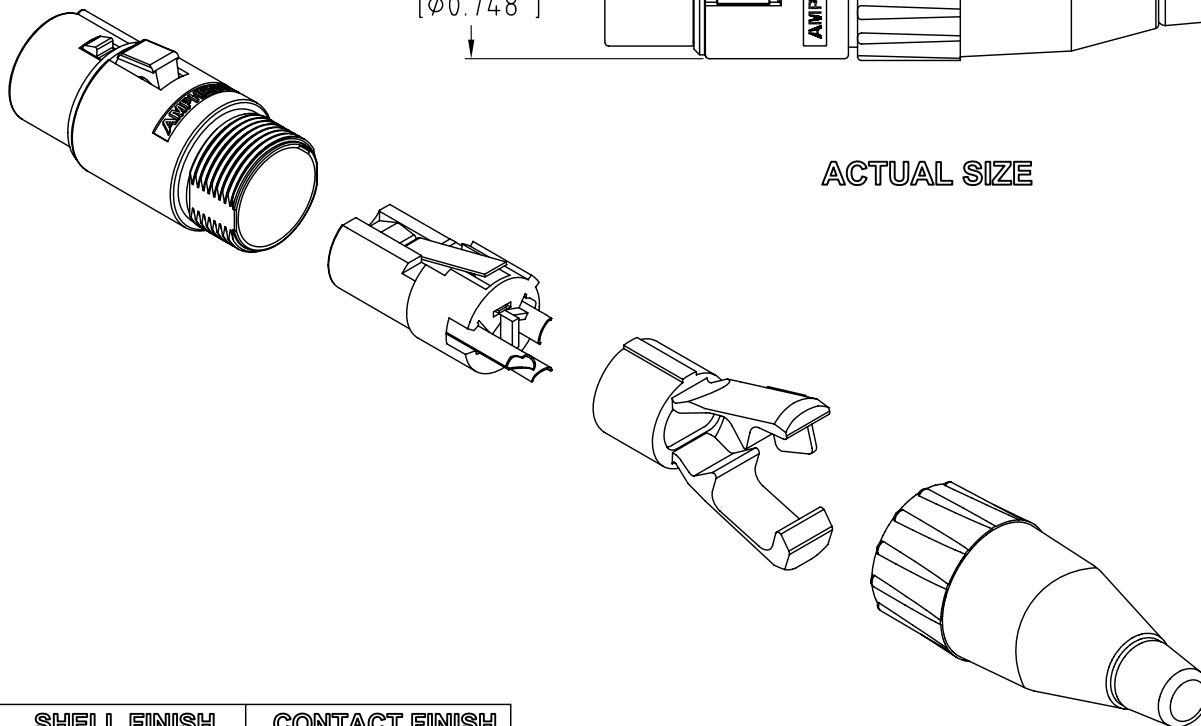
E

F

F



ACTUAL SIZE



CAT P/No.	SHELL FINISH	CONTACT FINISH
AC3F	NICKEL	TIN PLATING
AC3FJ		GOLD PLATING
AC3F-AU		
AC3FJ-AU	BLACK	TIN PLATING
AC3FB		GOLD PLATING
AC3FBJ		
AC3FB-AU		
AC3FBJ-AU		

UNLESS OTHERWISE SPECIFIED TOLERANCE TO BE		THIS DOCUMENT IS THE PROPERTY OF AMPHENOL AUSTRALIA PTY. LTD. NO PART THEREOF MAY BE REPRODUCED AND USED WITHOUT THE PRIOR WRITTEN CONSENT OF THE OWNER				0	FIRST ISSUE	L.V	01-05-06	----	
LINEAR		ANGULAR		CAD FILE:	00848100	DRN:	L.V	DATE:	01-05-06	TITLE:	
X ± 0.5	X° ± 1°			MATL:	REFER TO COMPONENT	CKD:	M.N.H	DATE:	01-05-06	AC3F LINE CONNECTOR CUSTOMER DWG	
XX ± 0.1	X°X' ± 30'			DO NOT SCALE	FINISH: REFER TO COMPONENT	APP'D:	P.M	DATE:	01-05-06		
XXX ± 0.05	X°X'X" ± 15'			DIMENSIONS IN MILLIMETRES		THIRD ANGLE PROJECTION	SCALE:	1:1 UOS	PART No:	REFER TO CHART	
							REV.	CHANGE DETAILS	BY	DATE	CHG/No
							Amphenol		Amphenol Australia Pty.Ltd, 2 Fireways Blvd, Keysborough, Vic3173		
							DRAWING NO.		128321-0000		SHEET
							SIZE:		A4		2 OF 2

1

2

3

4

5

6