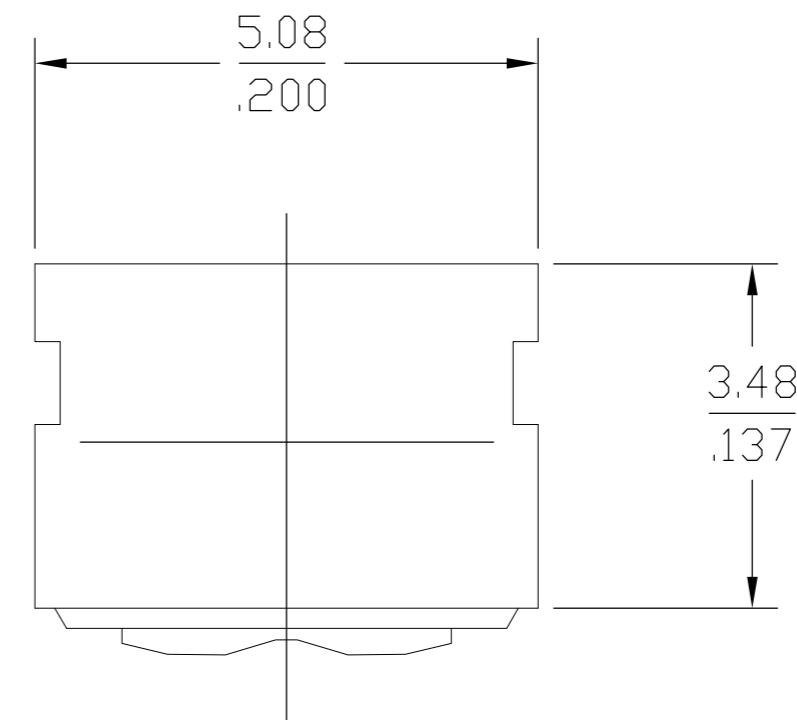
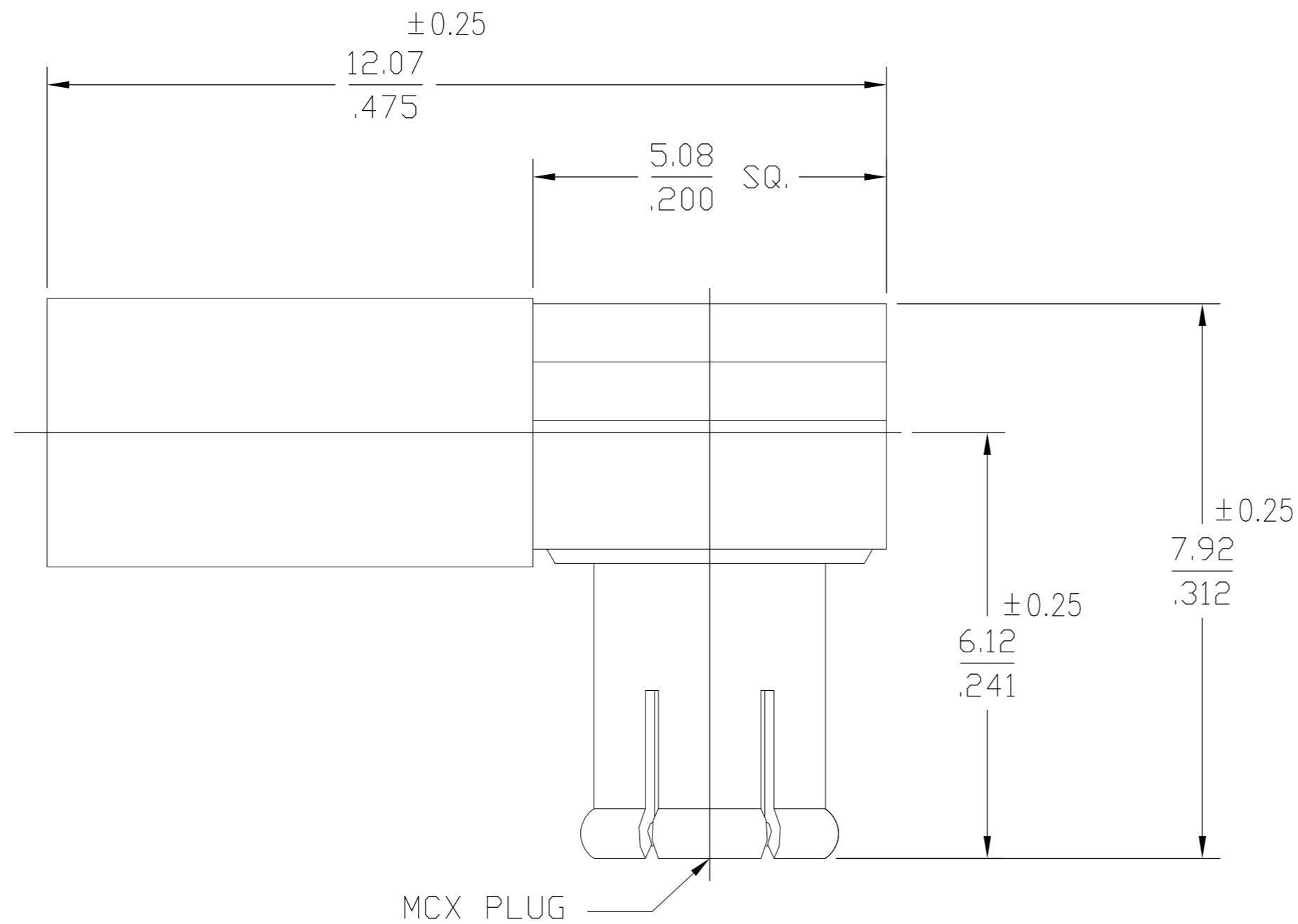


THIS DRAWING IS UNPUBLISHED. RELEASED FOR PUBLICATION
 © COPYRIGHT BY TYCO ELECTRONICS CORPORATION. ALL RIGHTS RESERVED.

LOC		DIST		REVISIONS			
P	LTR	DESCRIPTION	DATE	DWN	APVD		
AJ	00	B	REV PER ECO 07-027463	17DEC2007	DW	JL	



1. SEE INSTRUCTION SHEET
408-4714

1060604-1
PART NUMBER

DESIGNED FOR USE WITH RD 316/U FLEX CABLE DOUBLE BRAIDED CABLE ENTRY DIAMETER MINIMUM	
CONTACT	.024 SLOT
HOUSING	.067
FERRULE	.137

XX.X = mm
.XXX = in

ELECTRICAL	MECHANICAL	ENVIRONMENTAL
Nominal Impedance (Ohms) <u>50</u>	Force to Engage (lbs MAX)	TEMPERATURE RATING <u>-65° TO +165°C</u>
Frequency Range (GHz) <u>DC to 6</u>	<u>3.4 (1.1 TYP)</u>	Vibration MIL-STD-202, Method 204, Condition B
Volt Rating (VRMS MAX) @ Sea Level <u>335</u>	& Disengage (lbs) <u>1.77 MIN 4.5 MAX</u>	Thermal Shock MIL-STD-202, Method 102, Condition B
VSWR <u>1.25 MAX @ 4 GHz</u> <u>1.35 MAX @ 6 GHz</u>	Center Contact Captivation Designed to Maintain MCX Interface When Mating	Moisture Resistance MIL-STD-202, Method 106D,10 Cycles, 96 Hours
Insertion Loss <u>.1dB MAX/1000 MHz</u>		Corrosion - MIL-STD-202, Method 101, Condition B
Corona, 70,000 Ft (VRMS MIN) <u>250</u>		
Dielectric Withstanding Voltage (VRMS MIN) @ Sea Level <u>1000</u>		
Contact Resistance (Milliohms MAX)		
Center Contact <u>5.0</u>		
Outer Contact <u>1.0</u>		
Cable to Housing <u>1.0</u>		
RF High Potential @ Sea Level (VRMS MIN @ 5 MHz) <u>670</u>		
I.R.(Megohms MIN) <u>10,000</u>		

COMPONENT	MATERIAL	FINISH
HOUSING CAP CENTER CONTACT	BRASS PER QQ-B-626 COMP. 360	NICKEL PLATE PER QQ-N-290
DIELECTRIC	PTFE FLUOROCARBON PER ASTM-D-1457	N/A
CONTACT FINGERS	BERYLLIUM COPPER PER ASTM B 196, ALLOY C17300, CONDITION H	GOLD PLATE PER MIL-G-45204
FERRULE	COPPER OR BRASS ALLOY ROCKWELL F65 MAX	NICKEL PLATE PER QQ-N-290

THIS DRAWING IS A CONTROLLED DOCUMENT.		DWN	1/16/95	Tyco Electronics Corporation Harrisburg, PA 17105-3608
DIMENSIONS:		CHK	-	
TOLERANCES UNLESS OTHERWISE SPECIFIED:		APVD	-	
mm		PRODUCT SPEC	-	
0 PLC ± -		APPLICATION SPEC	-	NAME
1 PLC ± -		WEIGHT	-	MCX RIGHT ANGLE CABLE PLUG- CRIMP ATTACHMENT (5837-5010-10)
2 PLC ± 0.12 .005		SCALE	1:1	SIZE
3 PLC ± -		SHEET	1 of 1	CAGE CODE
4 PLC ± -		REV	B	DRAWING NO
ANGLES ± 1°		CUSTOMER DRAWING		RESTRICTED TO
FINISH				