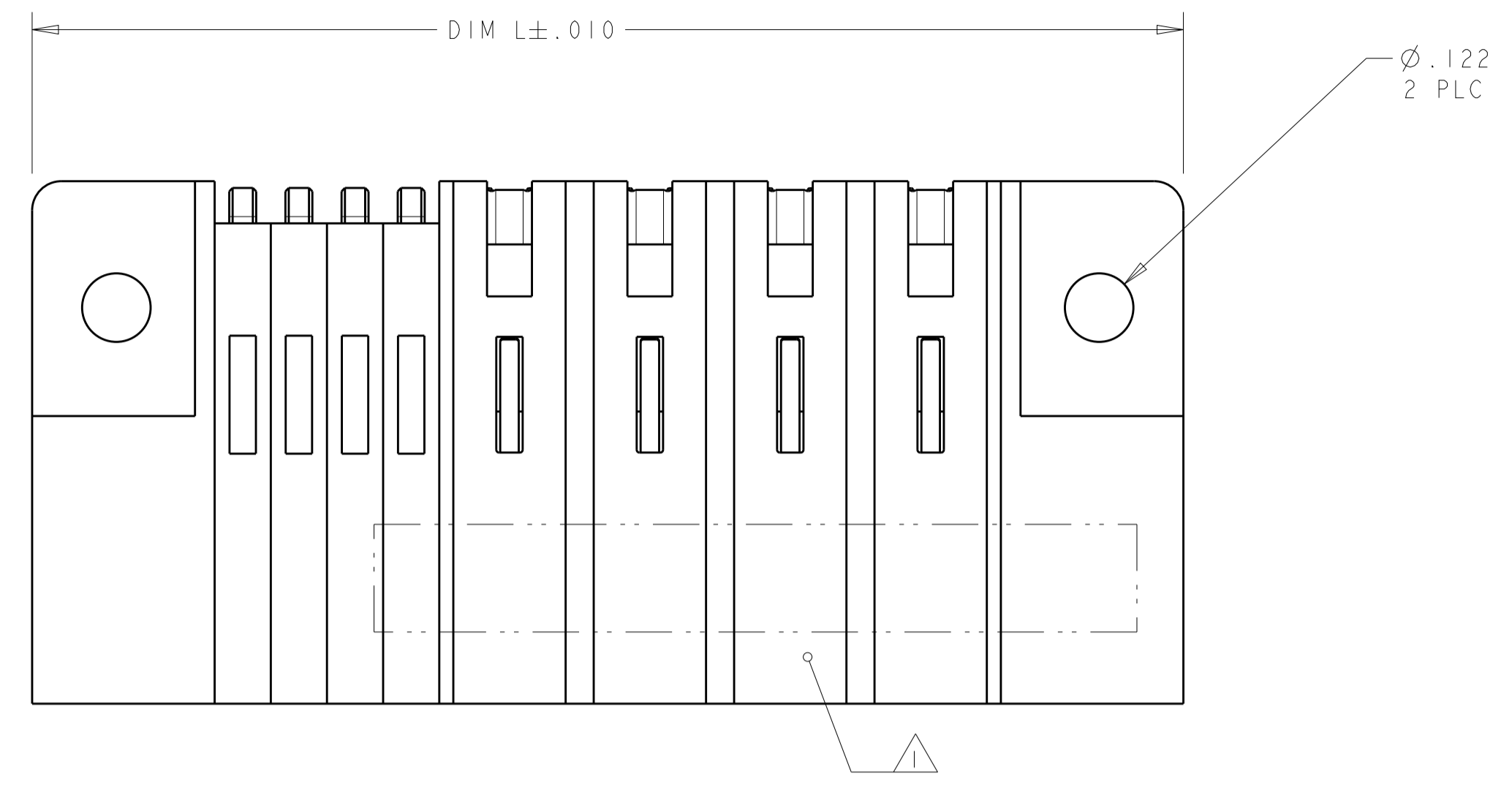
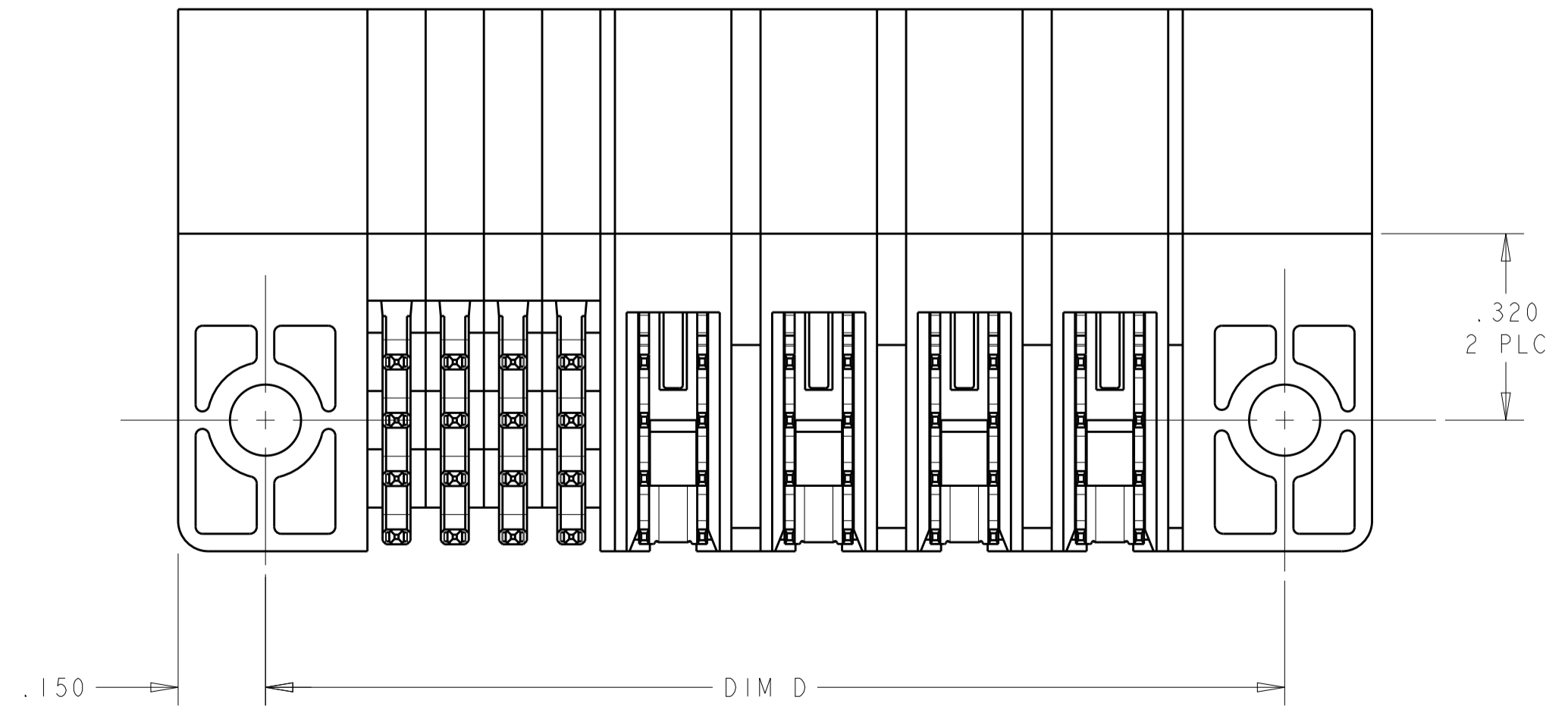
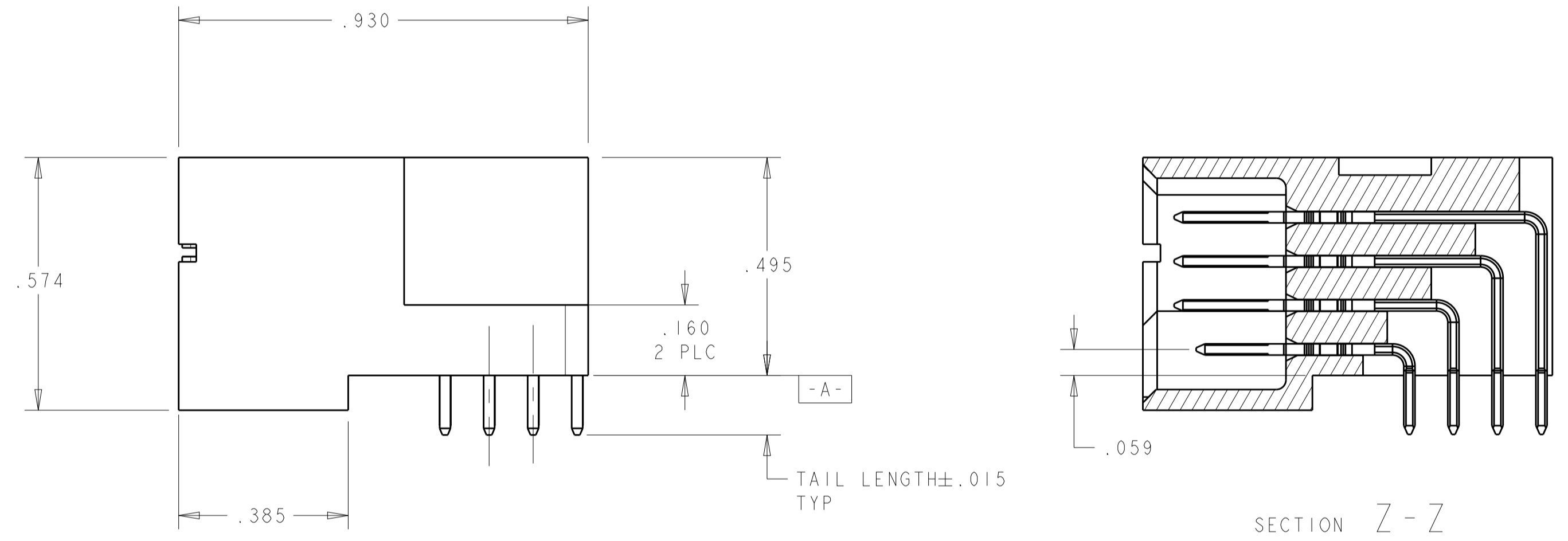
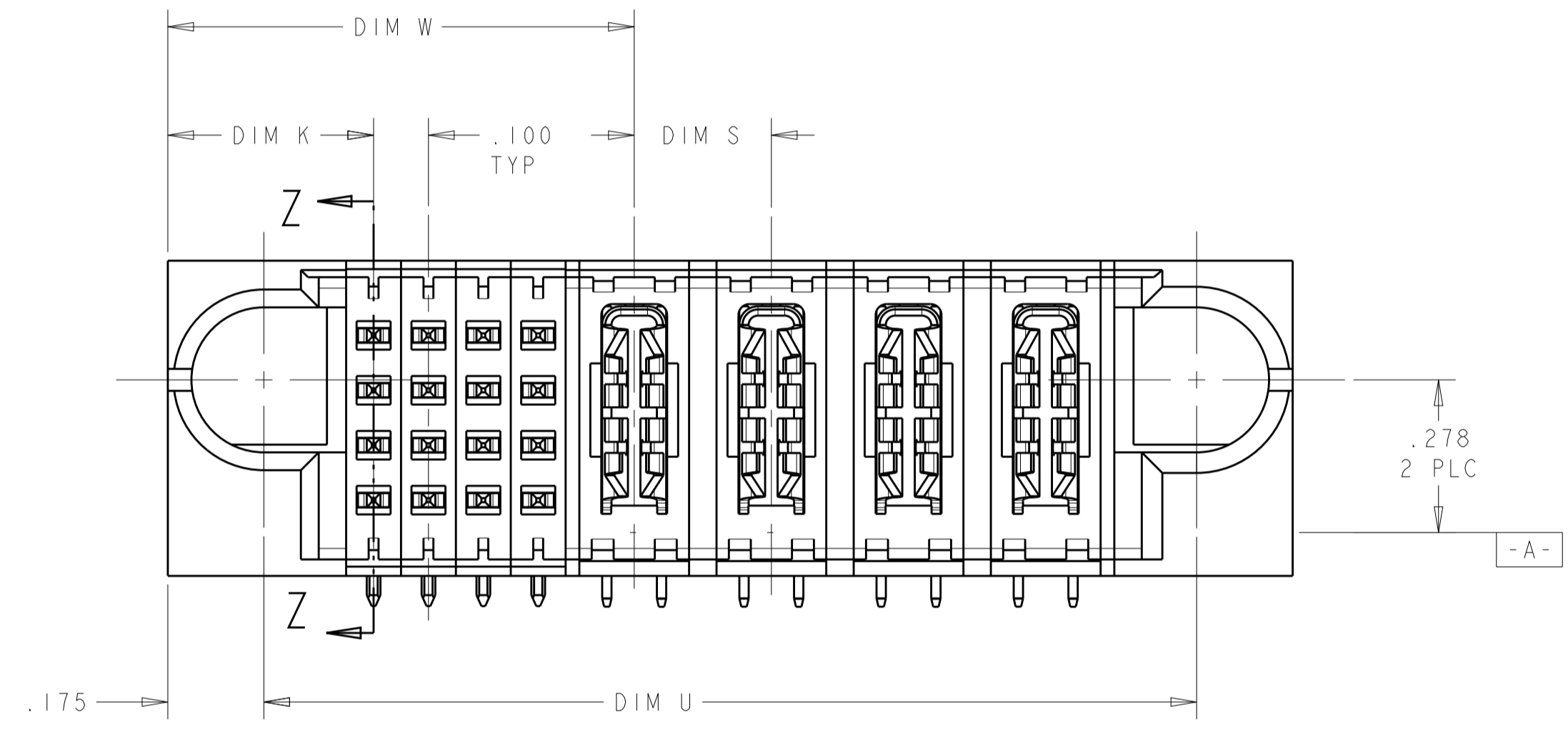


LOC		DIST		REVISIONS			
ES	00	P	LTN	DESCRIPTION	DATE	DWN	APVD
		A2		REVISED	28AUG2007	CZ	SY



- 1 PART NUMBER, AND DATE CODE MARKED IN AREA SHOWN.
- 2 MATERIAL:  
HOUSING - GLASS FILLED HIGH TEMP THERMO PLASTIC, UL94 V-0  
SIGNAL CONTACT - COPPER ALLOY  
POWER CONTACT - HIGH CONDUCTIVITY COPPER ALLOY
- 3 CONTACT PLATING:  
.000050 MIN NI UNDER ALL, NOBLE METAL PLATED ON CONTACT FUNCTIONAL AREA.  
AND Sn AT PCB INTERFACE.
- 4 MECHANICAL CONNECTOR KEEP OUT ZONE.
- 5 DATUM AND BASIC DIMENSIONS ESTABLISHED BY CUSTOMER.
- 6 PCB - ALL HOLE DIAMETERS ARE FINISHED HOLE SIZES.
- 7 PCB - .0453 ± .0010 DRILLED HOLES PLATED WITH .0003 MIN Sn  
OVER .001 TO .003 Cu PLATING TO ACHIEVE A .040 HOLE.
- 8 NOT RELEASED FOR PRODUCTION.
- 9 VARIABLE DIMENSION SHOW ON VIEW (SHEET 2).



1.800	1.050	1.850	.375	2.150	24S + 4P	6450231-3
1.700	.250	.850	1.750	.375	16S + 4P	6450231-1
DIM U	DIM S	DIM W	DIM D	DIM K	DIM L	DESCRIPTION PART NUMBER

THIS DRAWING IS A CONTROLLED DOCUMENT.

DIMENSIONS:	TOLERANCES UNLESS OTHERWISE SPECIFIED:	DWN R. GRZYBOWSKI 22MAR05	CHK M. PERCHERKE 22MAR05	APVD M. PERCHERKE	NAME
mm	0 PLC ± .01 1 PLC ± .01 2 PLC ± .01 3 PLC ± .005 4 PLC ± .0020	PRODUCT SPEC	108-1973	APPLICATION SPEC	114-13038
MATERIAL	FINISH	WEIGHT	SIZE	CAGE CODE	DRAWING NO
			A1	00779	6450231
CUSTOMER DRAWING		SCALE	4:1	SHEET	1 OF 2

RESTRICTED TO

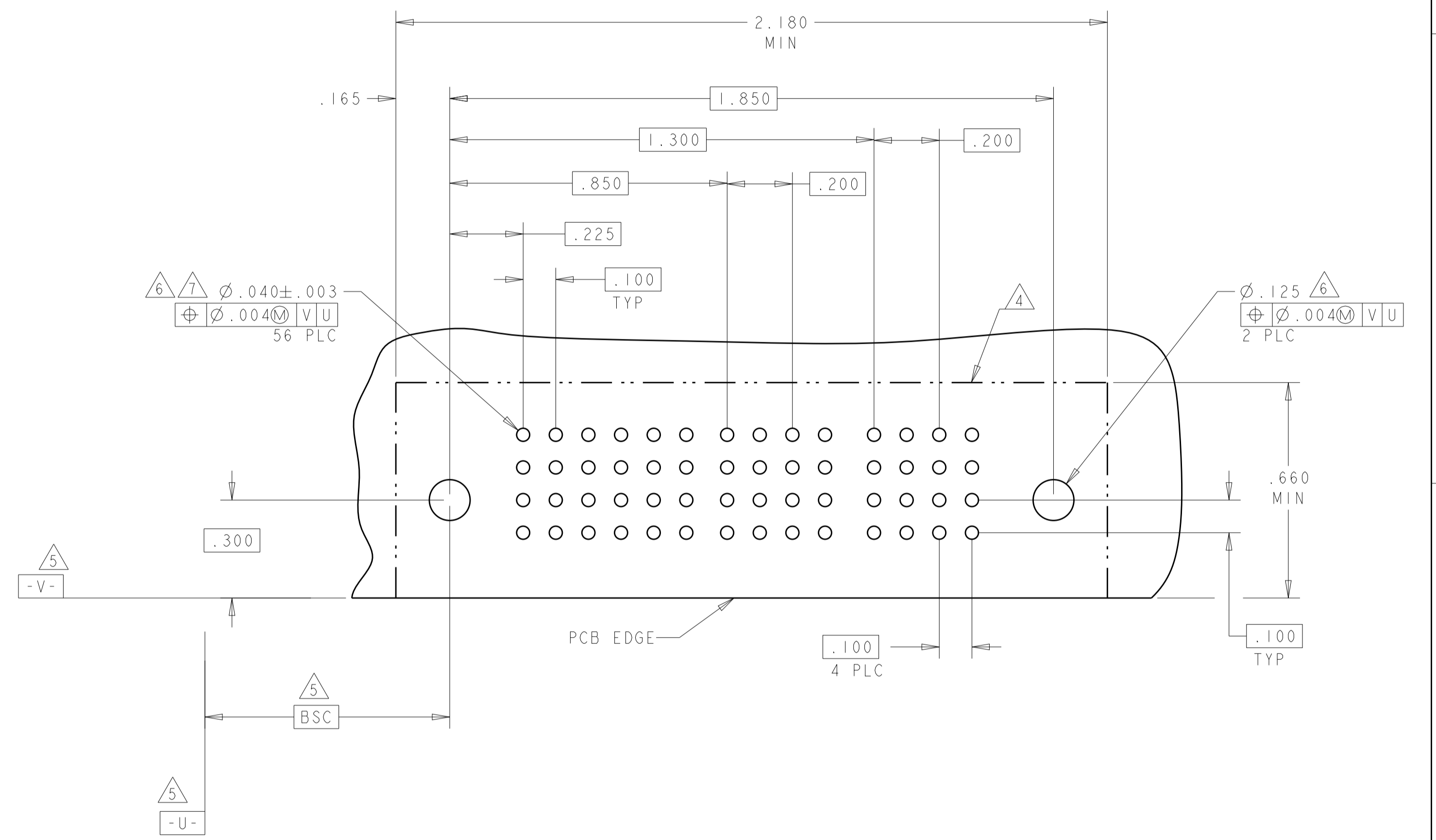
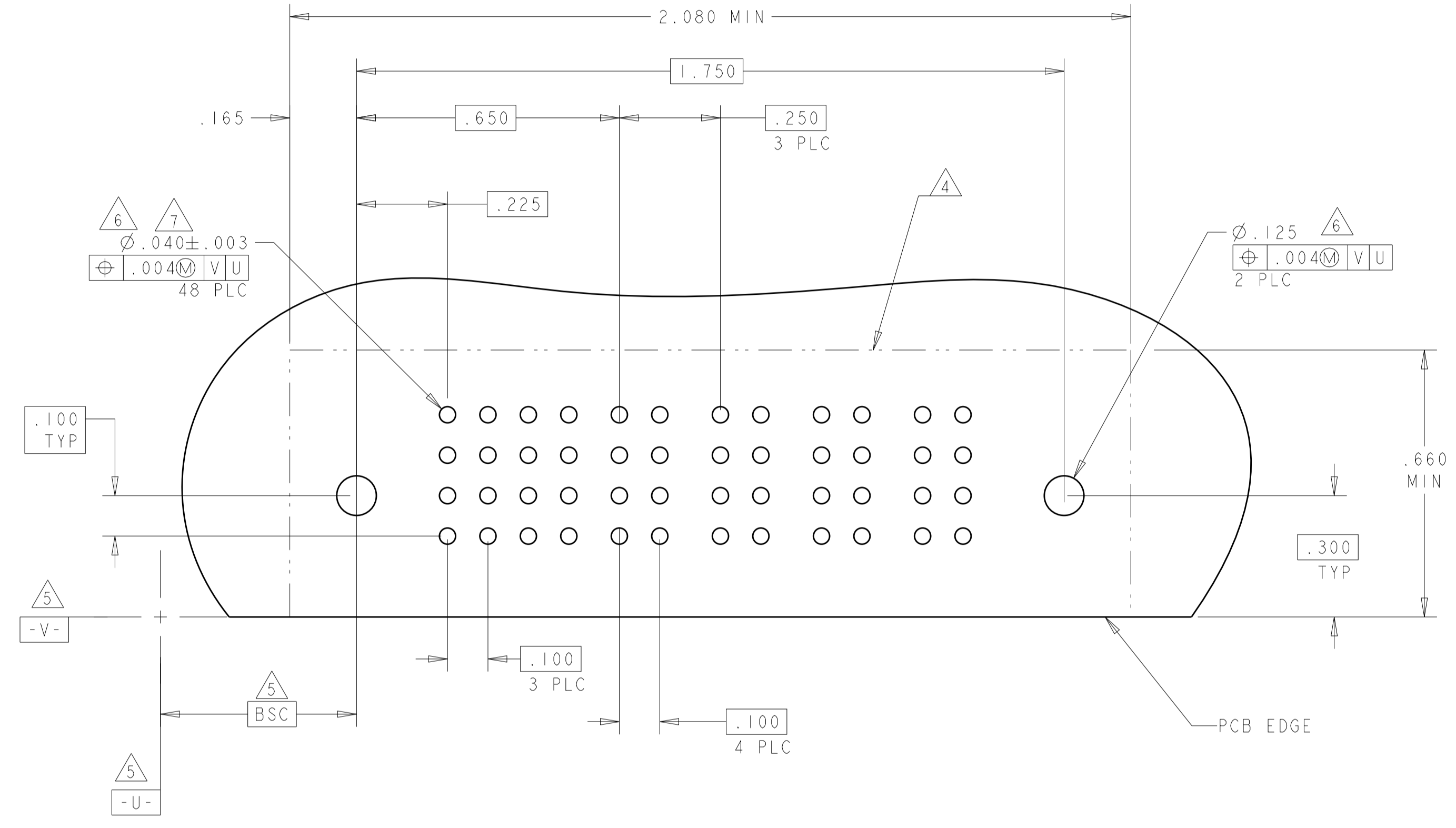
TE Connectivity

RIGHT ANGLE HEADER ASSEMBLY  
 SOLDER CONTACT, GUIDES  
 MULTI-BEAM XL

LOC	DIST	REV	DATE	BY	APPV
ES	00				

PART NUMBER	ROWS	SIGNAL				POWER			
		1	2	3	4	P1	P2	P3	P4
6450231-1	D C B A	J	J	J	J	PM	PM	PM	PM
		K	K	K	K				
		N	N	N	N				
		H	S	S	S				
16S + 4P									

PART NUMBER	ROWS	SIGNAL						POWER			
		1	2	3	4	5	6	P1	P2	P3	P4
6450231-3	D C B A	E	E	E	E	E	E	PM	PM	PM	PM
		K	F	F	F	F	F				
		N	G	G	G	G	G				
		H	H	H	H	H	S				
24S + 4P											



PM	.135
CODE	TAIL LENGTH
POWER CONTACT	

E	MLBF	.135	D
F	MLBF	.135	C
G	MLBF	.135	B
H	MLBF	.135	A
J	STD	.135	D
K	STD	.135	C
N	STD	.135	B
S	STD	.135	A
CODE	MATING SEQUENCE	TAIL LENGTH	ROW
SIGNAL CONTACT			

THIS DRAWING IS A CONTROLLED DOCUMENT.

DIMENSIONS:	TOLERANCES UNLESS OTHERWISE SPECIFIED:	OWN: R. GRZYBOWSKI / 22MAR05	CHK: M. PERCHERKE / 22MAR05
mm	0 PLC ± .01	APVD: M. PERCHERKE	NAME
	1 PLC ± .01	PRODUCT SPEC	RIGHT ANGLE HEADER ASSEMBLY
	2 PLC ± .01	APPLICATION SPEC	SOLDER CONTACT, GUIDES
	3 PLC ± .005		MULTI-BEAM XL
	4 PLC ± .002		
	ANGLES ± .020		
	FINISH		

MATERIAL: - WEIGHT: -

CUSTOMER DRAWING

SCALE: 4:1 SHEET 2 OF 2 REV A2