

17.5	15.6	19.1	51338-0840	80
9.5	7.6	11.1	51338-0440	40
5.5	3.6	7.1	51338-0240	20
C	B	A	EMBOSSED TAPE PKG. ORDER No. オーダー番号	CKT.
CONNECTOR SERIES No.			51338-**39	

GENERAL TOLERANCES (UNLESS SPECIFIED)				
0.25	UNDER	UNDER	± 0.03	
0.25	OVER	0.5	UNDER	± 0.05
0.5	OVER	1.0	UNDER	± 0.1
1.0	OVER	10	UNDER	± 0.2
10	OVER	30	UNDER	± 0.25
30	OVER			± 0.3
ANGULAR		± 3°		

THIS DRAWING CONTAINS INFORMATION THAT IS PROPRIETARY TO MOLEX ELECTRONIC TECHNOLOGIES, LLC AND SHOULD NOT BE USED WITHOUT WRITTEN PERMISSION

CURRENT REV DESC:

molex

0.4 B-TO-B REC ASSY
HGT=1.5 J-BEND TAIL -LEAD FREE-

PRODUCT CUSTOMER DRAWING

EC NO: 739909
DRWN: RAJMOK
CHK'D: HSHIMOMYAMA
APPR: YNAITO

INITIAL REVISION:
DRWN: YISHIDA
APPR: KMORIKAWA

2023/02/21
2023/02/23
2023/02/23

2015/01/15
2015/02/18

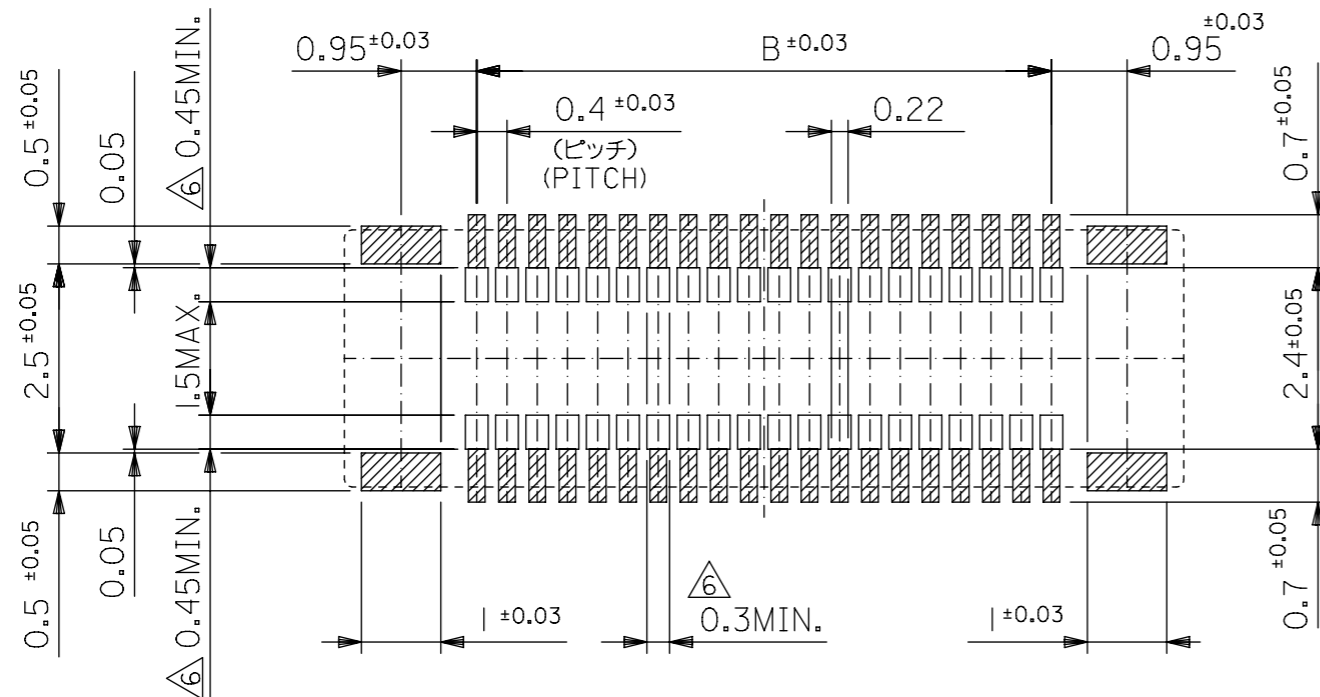
DOCUMENT NUMBER: SD-51338-007
DOC TYPE: PSD
DOC PART: 001
REVISION: A

MATERIAL NUMBER: SEE TABLE
CUSTOMER: GENERAL MARKET
SHEET NUMBER: 1 OF 2

DRAFT WHERE APPLICABLE MUST REMAIN WITHIN DIMENSIONS

THIRD ANGLE PROJECTION

DRAWING: A3-SIZE
SERIES: 51338



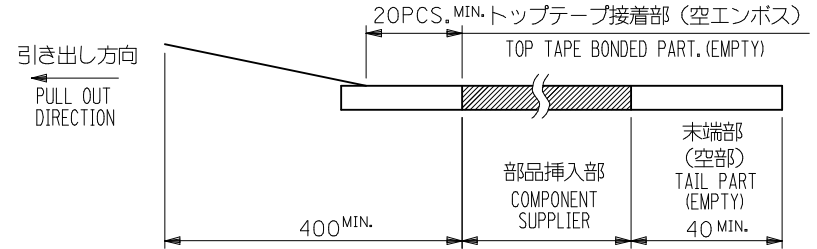
注記 NOTES:

1. 使用材料 MATERIAL
 ハウジング: 液晶ポリマー (LCP) ガラス充填 UL94V-0 (黒)
 HOUSING: LIQUID CRYSTAL POLYMER (GLASS FILLED) UL94V-0 (COLOR: BLACK)
 ターミナル: リン青銅 (t=0.15)
 TERMINAL: PHOSPHOR BRONZE (t=0.15)
 金具: リン青銅 (t=0.15)
 FITTING NAIL: PHOSPHOR BRONZE (t=0.15)
2. メッキ仕様 PLATING
 ターミナル TERMINAL
 コンタクト部: 部分金めっき (0.381µm以上)
 CONTACT AREA: SEPARATED GOLD PLATING (0.381 MICROMETER MINIMUM)
 テール部: 部分金めっき
 SOLDER TAIL AREA: SEPARATED GOLD PLATING
 下地メッキ: ニッケルメッキ 1.5マイクロメートル以上
 UNDER PLATING: NICKEL 1.5 MICROMETER MINIMUM
 *コンタクト部とテール部はニッケルメッキによって分断されている金メッキです。
 DIVIDE INTO PARTS THE GOLD PLATING OF THE CONTACT AND THE TAIL PART BY THE NICKEL PLATING.
 金具 FITTING NAIL
 錫メッキ 1.0 マイクロメートル以上
 TIN PLATING 1.0 MICROMETER MINIMUM
 下地メッキ: ニッケルメッキ 1.0 マイクロメートル以上
 UNDER PLATING: NICKEL 1.0 MICROMETER MINIMUM
3. (全極数/2) = 偶数の場合に適用。
 APPLY FOR (CIRCUIT/2) = EVEN.
4. 嵌合相手: 55909シリーズ
 MATE WITH: 55909 SERIES.
5. テール平坦度は、0.08以下
 テール及び金具の平坦度は、0.1以下
 TAIL COPLANARITY TO BE 0.08 MAXIMUM
 TAIL AND FITTING NAIL COPLANARITY TO BE 0.1 MAXIMUM
6. 同一回路以外のパターン書込み禁止範囲を示す。
 NO PRINT CIRCUIT AREA OTHER THAN THE SAME CIRCUIT.

GENERAL TOLERANCES (UNLESS SPECIFIED)				DIMENSION UNITS	SCALE	THIS DRAWING CONTAINS INFORMATION THAT IS PROPRIETARY TO MOLEX ELECTRONIC TECHNOLOGIES, LLC AND SHOULD NOT BE USED WITHOUT WRITTEN PERMISSION								
				mm	NTS	CURRENT REV DESC:								
0.25	UNDER	UNDER	± 0.03	GENERAL TOLERANCES (UNLESS SPECIFIED) ANGULAR TOL ± ° 4 PLACES ± ° 3 PLACES ± ° 2 PLACES ± ° 1 PLACE ± ° 0 PLACES ± °		EC NO: 739909 DRWN: RAJMOK 2023/02/21 CHK'D: HSHIMOYAMA 2023/02/23 APPR: YNAITO 2023/02/23 INITIAL REVISION: DRWN: YSHIDA 2015/01/15 APPR: KMORIKAWA 2015/02/18								
0.25	OVER	0.5	UNDER											± 0.05
0.5	OVER	1.0	UNDER											± 0.1
1.0	OVER	10	UNDER							± 0.2	PRODUCT CUSTOMER DRAWING DOCUMENT NUMBER: SD-51338-007 DOC TYPE: PSD DOC PART: 001 REVISION: A			
10	OVER	30	UNDER							± 0.25				
30	OVER									± 0.3				
ANGULAR ± 3°				DRAFT WHERE APPLICABLE MUST REMAIN WITHIN DIMENSIONS		THIRD ANGLE PROJECTION		DRAWING	SERIES	MATERIAL NUMBER	CUSTOMER	SHEET NUMBER		
						A3-SIZE		51338	SEE SHEET-1	GENERAL MARKET		2 OF 2		

NOTES

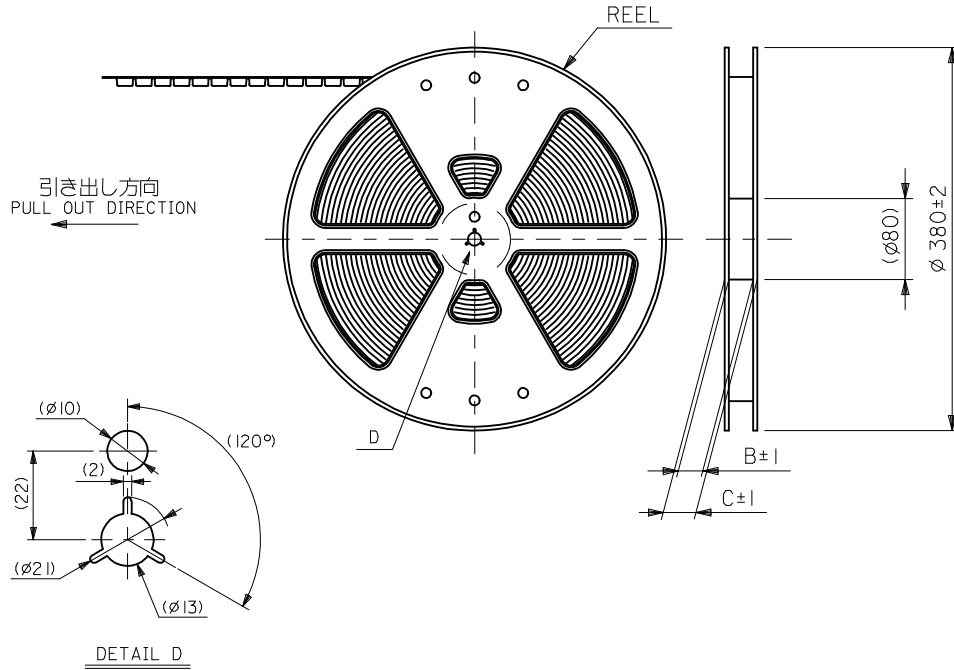
- 製品詳細寸法については製品単体図面を参照下さい。
RE DETAILED DIMENSION, SEE PRODUCT DRAWING.
- 梱包数量：2500個/リール
NUMBER OF CONNECTORS : 2500PCS/REEL
- リードテープ長さ LEAD TAPE LENGTH



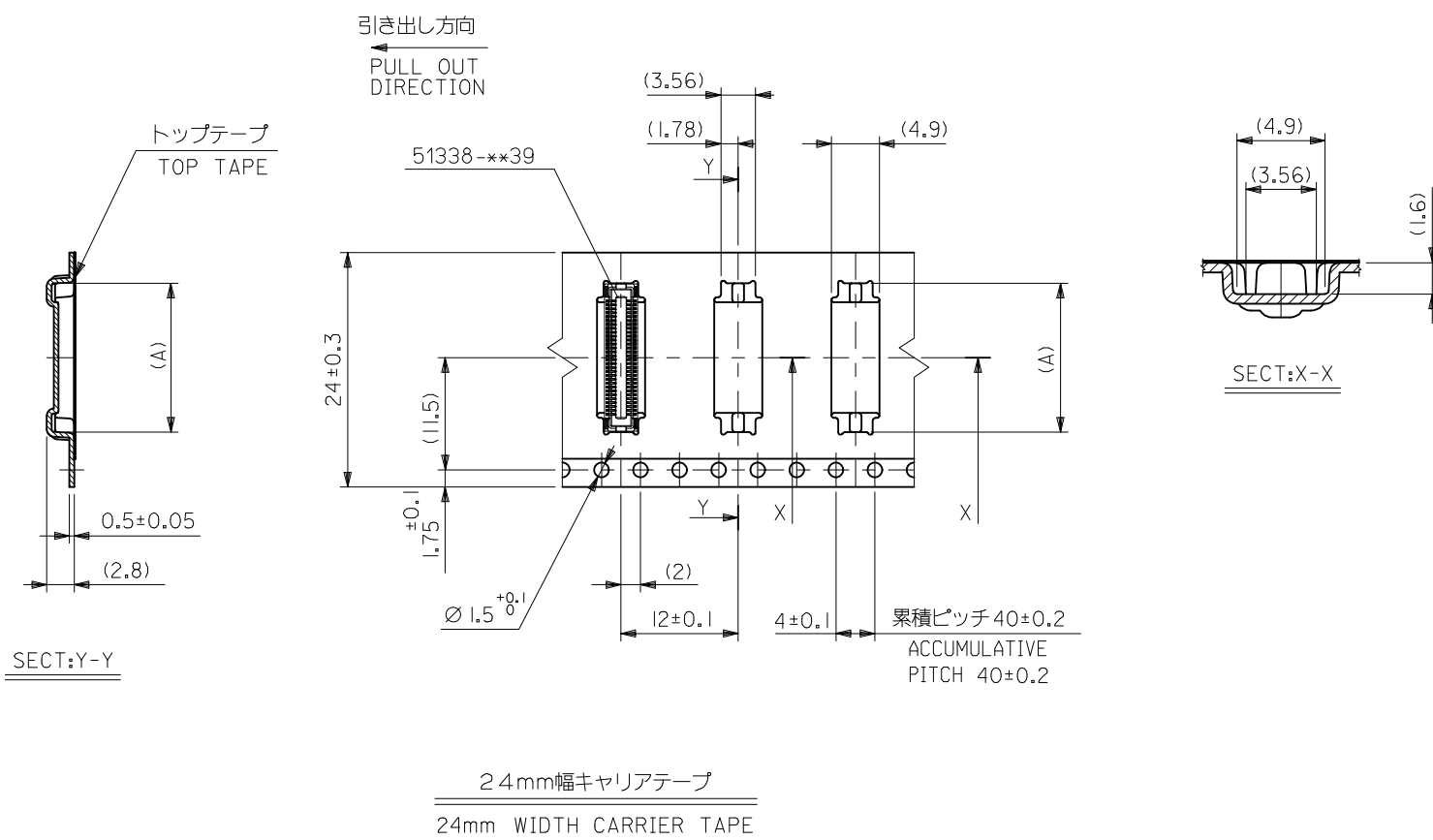
- トップテープの剥離強度については、IEC60286-3に準拠。
TOP TAPE PEEL FORCE IS DEFINED BY IEC60286-3.

- 材料
キャリアテープ (CARRIER TAPE) : ポリプロピレン (POLYPROPYLENE)
トップテープ (TOPTAPE) : PET, PE, PEF
リール (REEL) : ポリスチレン (PS) <リサイクル材を含む>
POLYSTYRENE (PS) <RECYCLE MATERIAL CONTAINED>

- ELV 及び RoHS 適合品。
ELV AND RoHS COMPLIANT.



RELEASED EC NO: J2015-0916 DRWN: YISHIDA 2015/01/15 CHKD: TASAKAWA 2015/01/15 APPR: KMORIKAWA 2015/02/18	GENERAL TOLERANCES (UNLESS SPECIFIED)			DIMENSION STYLE MM ONLY		SCALE ---	DESIGN UNITS METRIC	THIRD ANGLE PROJECTION
	0.25 UNDER	UNDER	±0.03	DRAWN BY	DATE	TITLE		
	0.25 OVER	0.5 UNDER	±0.05	YISHIDA	2015/01/15	0.4 B-TO-B CONN. REC ASSY(HGT=1.5) EMBSTP PKG		
	0.5 OVER	1.0 UNDER	±0.1	CHECKED BY	DATE			
	1.0 OVER	10 UNDER	±0.2	TASAKAWA	2015/01/15			
	10 OVER	30 UNDER	±0.25	APPROVED BY	DATE			
30 OVER		±0.3	KMORIKAWA	2015/02/18	MATERIAL NO.	DOCUMENT NO.	SHEET NO.	
ANGULAR	±3 °		SEE CHART		SD-51338-008		1 OF 3	
DRAFT WHERE APPLICABLE MUST REMAIN WITHIN DIMENSIONS				SIZE A3	THIS DRAWING CONTAINS INFORMATION THAT IS PROPRIETARY TO MOLEX INCORPORATED AND SHOULD NOT BE USED WITHOUT WRITTEN PERMISSION			

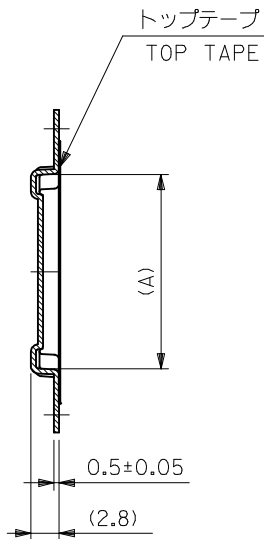


24	29.4	25.4	11.26	51338-0440	40
			7.26	51338-0240	20
キャリアテープ幅 CARRIER TAPE WIDTH	C	B	(A)	EMBOSSED PACKAGE ORDER NO. オ-ダ-番号	CKT.

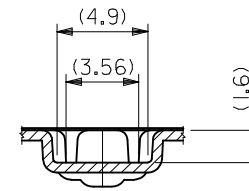
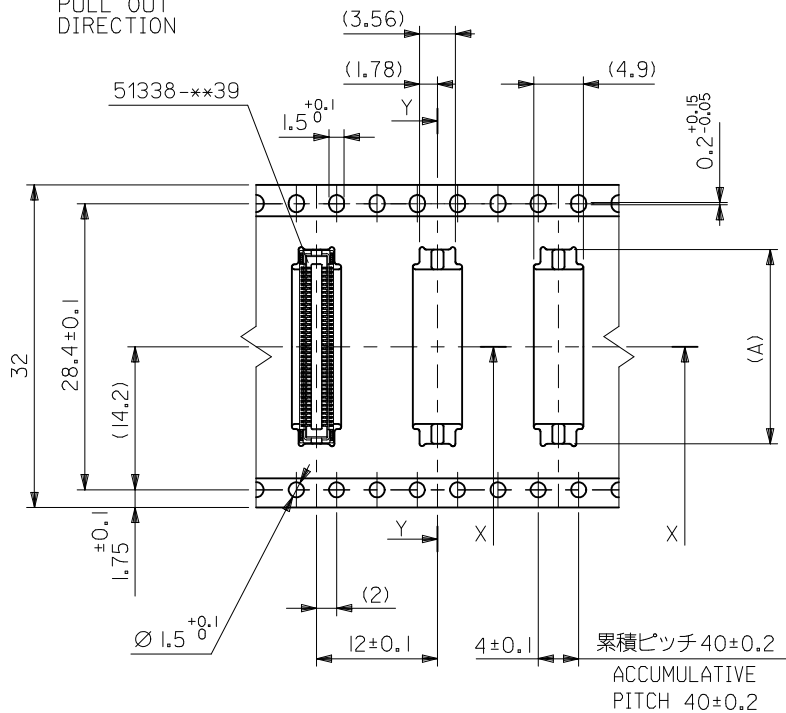
CONNECTOR SERIES No. 51338-***39

SEE SHEET 1 OF 3 EC NO: J2015-0916 DRWN: YISHIDA 2015/01/15 CHKD: TASAKAWA 2015/01/15 APPR: KMORIKAWA 2015/02/18	GENERAL TOLERANCES (UNLESS SPECIFIED)		DIMENSION STYLE MM ONLY		SCALE ---	DESIGN UNITS METRIC	THIRD ANGLE PROJECTION
	0.25 UNDER	UNDER	±0.03	DRAWN BY	DATE	TITLE	
	0.25 OVER	0.5 UNDER	±0.05	YISHIDA	2015/01/15	0.4 B-TO-B CONN. REC ASSY(HGT=1.5) EMBSTP PKG	
	0.5 OVER	1.0 UNDER	±0.1	CHECKED BY	DATE	molex	
	1.0 OVER	10 UNDER	±0.2	TASAKAWA	2015/01/15	DOCUMENT NO.	SHEET NO.
10 OVER	30 UNDER	±0.25	APPROVED BY	DATE	SD-51338-008	2 OF 3	
30 OVER		±0.3	KMORIKAWA	2015/02/18	SEE CHART		
ANGULAR	±3 °		MATERIAL NO.		THIS DRAWING CONTAINS INFORMATION THAT IS PROPRIETARY TO MOLEX INCORPORATED AND SHOULD NOT BE USED WITHOUT WRITTEN PERMISSION		
DRAFT WHERE APPLICABLE MUST REMAIN WITHIN DIMENSIONS			SIZE A3				

引き出し方向
PULL OUT
DIRECTION



SECT:Y-Y



SECT:X-X

32mm幅キャリアテープ
32mm WIDTH CARRIER TAPE

32	37.4	33.4	19.26	51338-0840	80
キャリアテープ幅 CARRIER TAPE WIDTH	C	B	(A)	MATERIAL NO.	極数 CKT.

SEE SHEET 1 OF 3 EC NO: J2015-0916 DRWN: YISHIDA 2015/01/15 CHKD: TASAKAWA 2015/01/15 APPR: KMORIKAWA 2015/02/18	GENERAL TOLERANCES (UNLESS SPECIFIED)		DIMENSION STYLE MM ONLY		SCALE ---	MODEL NO. 51338-**39
	0.25 UNDER	UNDER	±0.03	DRAWN BY YISHIDA	DATE 2015/01/15	0.4 B-TO-B REC ASSY EMBSTP PKG molex DOCUMENT NO. SD-51338-008
	0.25 OVER	0.5 UNDER	±0.05	CHECKED BY TASAKAWA	DATE 2015/01/15	
	0.5 OVER	1.0 UNDER	±0.1	APPROVED BY KMORIKAWA	DATE 2015/02/18	
1.0 OVER	10 UNDER	±0.2	MATERIAL NO.			
	10 OVER	30 UNDER	±0.25	SEE CHART		SHEET NO. 3 OF 3
	30 OVER		±0.3	THIS DRAWING CONTAINS INFORMATION THAT IS PROPRIETARY TO MOLEX INCORPORATED AND SHOULD NOT BE USED WITHOUT WRITTEN PERMISSION		
	ANGULAR	±3 °				
	DRAFT WHERE APPLICABLE MUST REMAIN WITHIN DIMENSIONS					