

# RC-12S1N8A4300 - Device connector, rear mounting



1599166

<https://www.phoenixcontact.com/us/products/1599166>

Please be informed that the data shown in this PDF document is generated from our online catalog. Please find the complete data in the user documentation. Our general terms of use for downloads are valid.



M23, Device connector, rear mounting, series: RC, straight, Screw locking mechanism, No. of pos.: 12, Direction of rotation: Standard, contact connection type: Socket, Crimp connection, Radial O-ring, 4xM3, Panel thickness min.: 2.7 mm, Panel thickness max.: 3.5 mm, coding: N

## Commercial data

Item number	1599166
Packing unit	1 pc
Minimum order quantity	1 pc
Note	Made to order (non-returnable)
Sales key	AB31
Product key	ABRAFR
GTIN	4046356224390
Weight per piece (including packing)	26.06 g
Weight per piece (excluding packing)	26.06 g
Customs tariff number	85366990
Country of origin	DE

1599166

<https://www.phoenixcontact.com/us/products/1599166>

## Technical data

### Notes

General	Order crimp contacts Ø 1 mm separately
---------	--

### Mounting

Connection method	Solder connection
-------------------	-------------------

### Product properties

Product type	Circular connectors (device side)
Thread type	M23

### Material specifications

Flammability rating according to UL 94	V0
--	----

### Connection data

#### Conductor connection

Connection method	Solder connection
-------------------	-------------------

### Connector

#### Insulating body

Note	Order information: Order crimp contacts Ø 1 mm separately
Coding	N
Connection method	Crimp connection
Contact switching type	Socket
Application	Signal
Number of positions	12
Direction of rotation	Standard
Connection profile	12
Contact diameter	1 mm
<b>Power contacts</b>	
Rated current	8 A
Rated voltage	48 V AC
	74 V DC
Rated surge voltage	1.5 kV
Overvoltage category	III
Degree of pollution	3

#### Housing

Housing material	Metal
Type of locking	Screw locking mechanism
Pg screw connection	none
Degree of protection (plugged in)	IP67
Thread type	M23

# RC-12S1N8A4300 - Device connector, rear mounting



1599166

<https://www.phoenixcontact.com/us/products/1599166>

## Environmental and real-life conditions

### Ambient conditions

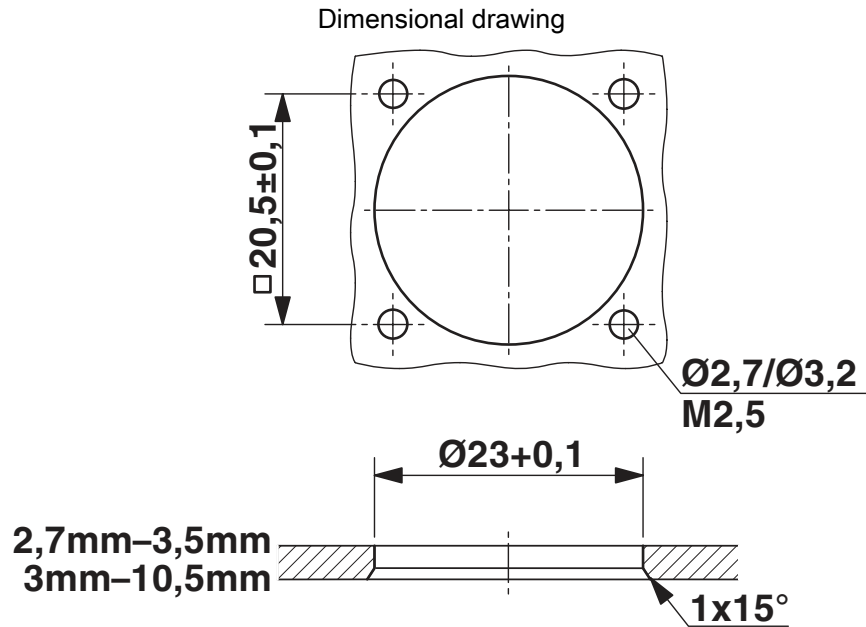
Degree of protection	IP67
----------------------	------

# RC-12S1N8A4300 - Device connector, rear mounting

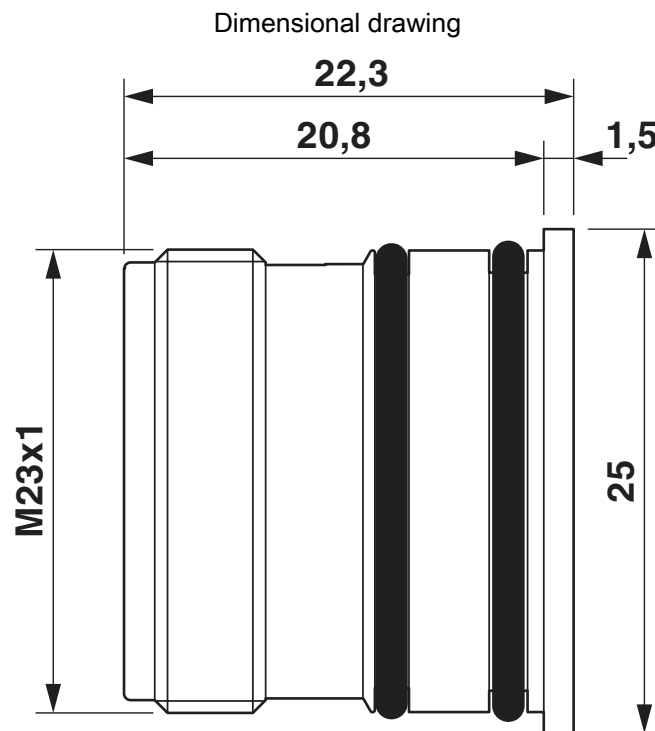
1599166

<https://www.phoenixcontact.com/us/products/1599166>

## Drawings

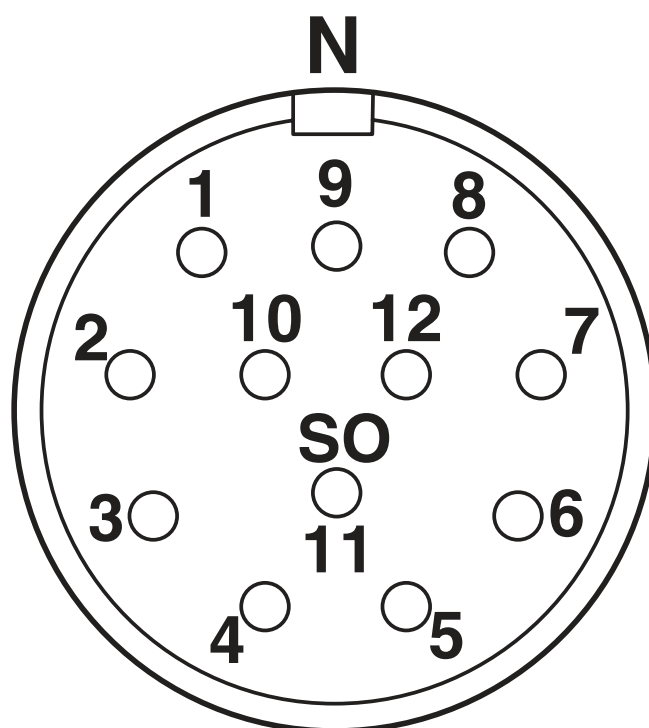


## Drilling diagram



## Dimensional drawing, side view

Schematic diagram



Connector pin assignment

# RC-12S1N8A4300 - Device connector, rear mounting



1599166

<https://www.phoenixcontact.com/us/products/1599166>

## Classifications

### ECLASS

ECLASS-11.0

27440109

### ETIM

ETIM 8.0

EC003569

### UNSPSC

UNSPSC 21.0

39121400

# RC-12S1N8A4300 - Device connector, rear mounting



1599166

<https://www.phoenixcontact.com/us/products/1599166>

## Environmental product compliance

China RoHS	Environmentally Friendly Use Period = 50 years For information on hazardous substances, refer to the manufacturer's declaration available under "Downloads"
------------	--

# RC-12S1N8A4300 - Device connector, rear mounting



1599166

<https://www.phoenixcontact.com/us/products/1599166>

## Accessories

### RC-Z2048 - Flat gasket

1604210

<https://www.phoenixcontact.com/us/products/1604210>

Flat gasket, 4x Ø 3, color: black, with fabric lining, series: RC



---

### RC-11S2000 - Crimp contact

1596772

<https://www.phoenixcontact.com/us/products/1596772>

Crimp contact, Socket, turned, Single contact, contact diameter: 1 mm, crimp range: 0.08 mm<sup>2</sup> ... 0.22 mm<sup>2</sup>, Alternative product in accordance with RoHS II without Exemption 6c (Pb <0.1%) item no.: 1241093





## RC-12S1N8A4300 - Device connector, rear mounting



1599166

<https://www.phoenixcontact.com/us/products/1599166>

### RC-12S2000 - Crimp contact

1599600

<https://www.phoenixcontact.com/us/products/1599600>



Crimp contact, Socket, turned, Single contact, contact diameter: 1 mm, crimp range: 0.14 mm<sup>2</sup> ... 0.56 mm<sup>2</sup>, Alternative product in accordance with RoHS II without Exemption 6c (Pb <0.1%) item no.: 1241093

---

### RC-1KS2000 - Crimp contact

1602998

<https://www.phoenixcontact.com/us/products/1602998>



Crimp contact, Socket, turned, Single contact, contact diameter: 1 mm, crimp range: 0.5 mm<sup>2</sup> ... 1 mm<sup>2</sup>, Alternative product in accordance with RoHS II without Exemption 6c (Pb <0.1%) item no.: 1241572

# RC-12S1N8A4300 - Device connector, rear mounting



1599166

<https://www.phoenixcontact.com/us/products/1599166>

## RC-22S2000 - Crimp contact

1603327

<https://www.phoenixcontact.com/us/products/1603327>



Crimp contact, Socket, rolled, Single contact, contact diameter: 1 mm, crimp range: 0.22 mm<sup>2</sup> ... 0.56 mm<sup>2</sup>, Single contact, Item is lead-free in accordance with RoHS II without Exemption 6c (Pb <0.1%)

---

## RC-21S2000 - Crimp contact

1603315

<https://www.phoenixcontact.com/us/products/1603315>



Crimp contact, Socket, rolled, Single contact, contact diameter: 1 mm, crimp range: 0.08 mm<sup>2</sup> ... 0.22 mm<sup>2</sup>, Single contact

# RC-12S1N8A4300 - Device connector, rear mounting



1599166

<https://www.phoenixcontact.com/us/products/1599166>

## RC-22S2300 - Crimp contact

1603330

<https://www.phoenixcontact.com/us/products/1603330>



Crimp contact, Socket, rolled, Taped articles, number of pieces per reel: 500, contact diameter: 1 mm, crimp range: 0.22 mm<sup>2</sup> ... 0.56 mm<sup>2</sup>, Item is lead-free in accordance with RoHS II without Exemption 6c (Pb <0.1%)

---

## RC-22S2400 - Crimp contact

1603332

<https://www.phoenixcontact.com/us/products/1603332>



Crimp contact, Socket, rolled, Taped articles, number of pieces per reel: 10000, contact diameter: 1 mm, crimp range: 0.22 mm<sup>2</sup> ... 0.56 mm<sup>2</sup>, Item is lead-free in accordance with RoHS II without Exemption 6c (Pb <0.1%)

# RC-12S1N8A4300 - Device connector, rear mounting



1599166

<https://www.phoenixcontact.com/us/products/1599166>

## RC-21S2300 - Crimp contact

1603318

<https://www.phoenixcontact.com/us/products/1603318>



Crimp contact, Socket, rolled, Taped articles, number of pieces per reel: 500, contact diameter: 1 mm, crimp range: 0.08 mm<sup>2</sup> ... 0.22 mm<sup>2</sup>

## RC-21S2400 - Crimp contact

1616500

<https://www.phoenixcontact.com/us/products/1616500>



Crimp contact, Socket, rolled, Taped articles, number of pieces per reel: 10000, contact diameter: 1 mm, crimp range: 0.08 mm<sup>2</sup> ... 0.22 mm<sup>2</sup>

Phoenix Contact 2023 © - all rights reserved  
<https://www.phoenixcontact.com>

Phoenix Contact USA  
586 Fulling Mill Road  
Middletown, PA 17057, United States  
(+717) 944-1300  
[info@phoenixcon.com](mailto:info@phoenixcon.com)