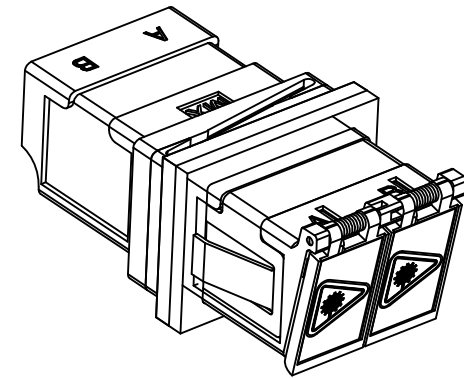
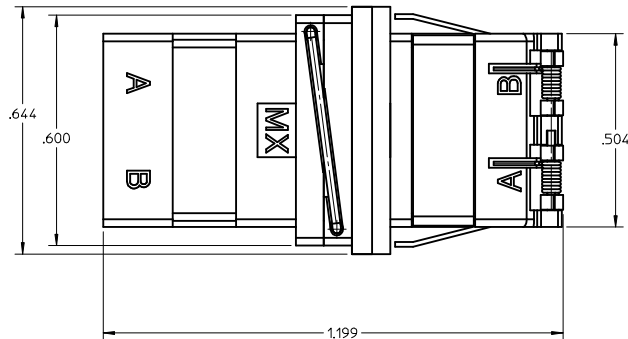


RECOMMENDED PANEL CUTOUT
PANEL THICKNESS - .063"



NOTES:

1. ALL DIMENSIONS ARE FOR REFERENCE ONLY EXCEPT WHEN MARKED WITH (*).
2. EMI GASKET IS SUPPLIED WITH PART.
3. PART IS DIECAST.
4. DUST CAP IS NOT SHOWN.
5. ADAPTERS TO BE PACKAGED IN TRAY.

ENTER DESCRIPTION EC NO: MF2010-0005 DRW: DRWINKPEVZNER CHKD: 2009/07/22 APPR: IGUMIN 2009/07/23 REVISION: A3	QUALITY SYMBOLS ▽=0 ▽=0	GENERAL TOLERANCES (UNLESS SPECIFIED)		DIMENSION STYLE INCH ONLY		SCALE	DESIGN UNITS INCH	THIRD ANGLE PROJECTION																	
		<table border="1"> <thead> <tr> <th></th> <th>mm</th> <th>INCH</th> </tr> </thead> <tbody> <tr> <td>4 PLACES</td> <td>± .005</td> <td>± .0005</td> </tr> <tr> <td>3 PLACES</td> <td>± .004</td> <td>± .0004</td> </tr> <tr> <td>2 PLACES</td> <td>± .003</td> <td>± .0003</td> </tr> <tr> <td>1 PLACE</td> <td>± .002</td> <td>± .0002</td> </tr> </tbody> </table>			mm	INCH	4 PLACES	± .005	± .0005	3 PLACES	± .004	± .0004	2 PLACES	± .003	± .0003	1 PLACE	± .002	± .0002	DRAWN BY PGIBLIN		DATE 2005/12/09	TITLE LC-D EMI ADAPTER (SNAP MOUNT, W/SHUTTERS)			
			mm	INCH																					
		4 PLACES	± .005	± .0005																					
3 PLACES	± .004	± .0004																							
2 PLACES	± .003	± .0003																							
1 PLACE	± .002	± .0002																							
APPROVED BY MATERIAL NO. 1061152900		DATE		DOCUMENT NO. SD-106115-2900		SHEET NO. 1 OF 1																			
DRAFT WHERE APPLICABLE MUST REMAIN WITHIN DIMENSIONS		ANGULAR ±1/2°		SIZE C		THIS DRAWING CONTAINS INFORMATION THAT IS PROPRIETARY TO MOLEX INCORPORATED AND SHOULD NOT BE USED WITHOUT WRITTEN PERMISSION																			