

# TMUX1575 2:1 (SPDT) 4-Channel, Powered-Off Protected Switch in WCSP with 1.2 V Logic

## 1 Features

- Wide Supply Range: 1.08 V to 3.6 V
- Low On-Capacitance: 5 pF
- High Bandwidth: 1.8 GHz
- -40°C to +125°C Operating Temperature
- [1.2 V Logic Compatible](#)
- [Supports Input Voltage Beyond Supply](#)
- [Integrated Pull Down Resistor on Logic Pins](#)
- [Bidirectional Signal path](#)
- [Fail-Safe Logic](#)
- [Powered-Off Protection](#)

## 2 Applications

- Flash Memory Sharing
- JTAG Multiplexing
- SPI Multiplexing
- eMMC Multiplexing
- [Smart Watches](#)
- [Smart Trackers](#)
- [Mobile Phones](#)
- [PC & Notebooks](#)
- [Network Interface Card \(NIC\)](#)
- [Servers](#)
- [Data Center Switches & Routers](#)
- [Wireless Infrastructure](#)
- [Building Automation](#)
- [ePOS](#)

## 3 Description

The TMUX1575 is a complementary metal-oxide semiconductor (CMOS) switch in a 2:1 (SPDT) configuration with 4-channels. The small size and operating supply voltage of 1.08 V to 3.6 V allows for use in a broad array of applications from servers and communication equipment to personal electronics applications. The device supports [bidirectional](#) analog and digital signals on the source (SxA, SxB) and drain (Dx) pins and can pass signals up to  $V_{DD} \times 2$  with a maximum input/output voltage of 3.6 V.

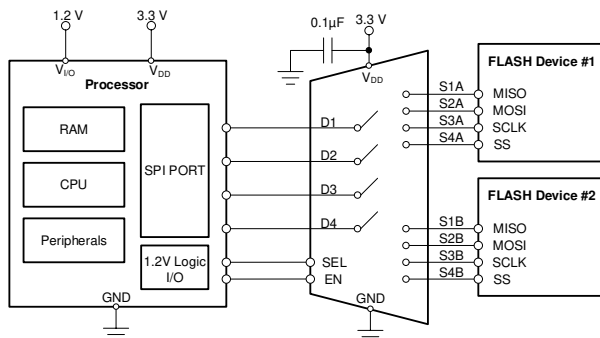
[Powered-off protection](#) on the signal path of the TMUX1575 provides isolation when the supply voltage is removed ( $V_{DD} = 0$  V). Without this protection feature, switches can back-power the supply rail through an internal ESD diode and cause potential damage to the system.

[Fail-safe logic](#) circuitry allows voltages on the logic control pins to be applied before the supply pin, protecting the device from potential damage. All control inputs have [1.2 V logic compatible](#) thresholds, eliminating the need for external logic translation. [Integrated pull down resistor on the logic pins](#) removes external components to reduce system size and cost.

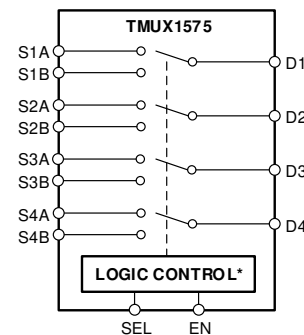
### Device Information<sup>(1)</sup>

PART NUMBER	PACKAGE	BODY SIZE (NOM)
TMUX1575	WCSP (16)	1.34 mm × 1.34 mm

- (1) For all available packages, see the package option addendum at the end of the data sheet.



Application Example



Block Diagram



## Table of Contents

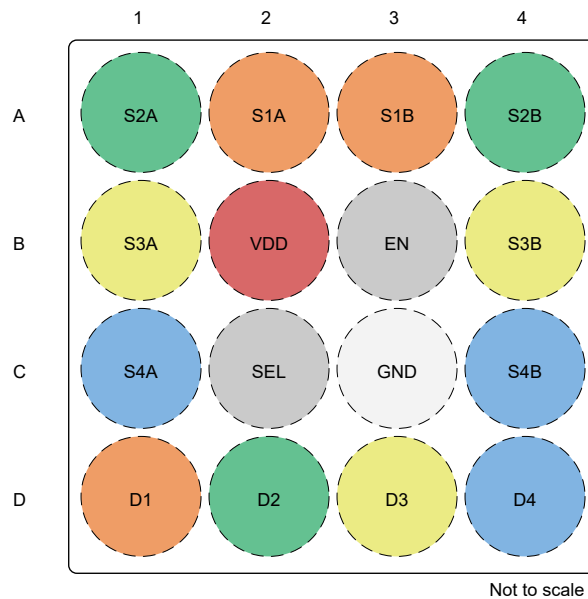
<b>1 Features</b> .....	1	7.9 Off Isolation.....	15
<b>2 Applications</b> .....	1	7.10 Channel-to-Channel Crosstalk.....	15
<b>3 Description</b> .....	1	7.11 Bandwidth.....	16
<b>4 Revision History</b> .....	2	<b>8 Detailed Description</b> .....	17
<b>5 Pin Configuration and Functions</b> .....	3	8.1 Overview.....	17
Pin Functions.....	3	8.2 Functional Block Diagram.....	17
<b>6 Specifications</b> .....	4	8.3 Feature Description.....	17
6.1 Absolute Maximum Ratings .....	4	8.4 Device Functional Modes.....	18
6.2 ESD Ratings .....	4	<b>9 Application and Implementation</b> .....	19
6.3 Recommended Operating Conditions .....	4	9.1 Typical Application.....	19
6.4 Thermal Information .....	4	<b>10 Power Supply Recommendations</b> .....	20
6.5 Electrical Characteristics .....	5	<b>11 Layout</b> .....	20
6.6 Dynamic Characteristics .....	6	11.1 Layout Guidelines.....	20
6.7 Timing Requirements .....	7	11.2 Layout Example.....	21
6.8 Typical Characteristics.....	8	<b>12 Device and Documentation Support</b> .....	22
<b>7 Parameter Measurement Information</b> .....	10	12.1 Documentation Support.....	22
7.1 On-Resistance.....	10	12.2 Receiving Notification of Documentation Updates..	22
7.2 Off-Leakage Current.....	10	12.3 Support Resources.....	22
7.3 On-Leakage Current.....	11	12.4 Trademarks.....	22
7.4 $I_{POFF}$ Leakage Current.....	11	12.5 Electrostatic Discharge Caution.....	22
7.5 Transition Time.....	12	12.6 Glossary.....	22
7.6 $t_{ON(EN)}$ and $t_{OFF(EN)}$ Time.....	12	<b>13 Mechanical, Packaging, and Orderable</b>	
7.7 Break-Before-Make Delay.....	13	<b>Information</b> .....	22
7.8 Charge Injection.....	14		

## 4 Revision History

NOTE: Page numbers for previous revisions may differ from page numbers in the current version.

DATE	REVISION	NOTES
October 2020	*	Initial Release

## 5 Pin Configuration and Functions



**Figure 5-1. WCSP Package 16-Pin Top View**

### Pin Functions

PIN		TYPE <sup>(1)</sup>	DESCRIPTION <sup>(2)</sup>
NAME	NO.		
S2A	A1	I/O	Source pin 2A. Can be an input or output.
S1A	A2	I/O	Source pin 1A. Can be an input or output.
S1B	A3	I/O	Source pin 1B. Can be an input or output.
S2B	A4	I/O	Source pin 2B. Can be an input or output.
S3A	B1	I/O	Source pin 3A. Can be an input or output.
VDD	B2	P	Positive power supply. This pin is the most positive power-supply potential. For reliable operation, connect a decoupling capacitor ranging from 0.1 $\mu$ F to 10 $\mu$ F between V <sub>DD</sub> and GND.
EN	B3	I	Active high enable: Internal 6 M $\Omega$ pull-down to GND.
S3B	B4	I/O	Source pin 3B. Can be an input or output.
S4A	C1	I/O	Source pin 4A. Can be an input or output.
SEL	C2	I	Select pin: controls state of switches according to <a href="#">Table 8-1</a> . Internal 6 M $\Omega$ pull-down to GND.
GND	C3	P	Ground (0 V) reference
S4B	C4	I/O	Source pin 4B. Can be an input or output.
D1	D1	I/O	Drain pin 1. Can be an input or output.
D2	D2	I/O	Drain pin 2. Can be an input or output.
D3	D3	I/O	Drain pin 3. Can be an input or output.
D4	D4	I/O	Drain pin 4. Can be an input or output.

(1) I = input, O = output, I/O = input and output, P = power.

(2) Refer to [Section 8.4](#) for what to do with unused pins.

## 6 Specifications

### 6.1 Absolute Maximum Ratings

over operating free-air temperature range (unless otherwise noted)<sup>(1) (2) (3)</sup>

		MIN	MAX	UNIT
V <sub>DD</sub>	Supply voltage	-0.5	4	V
V <sub>SEL</sub> or V <sub>EN</sub>	Logic control input pin voltage (SEL or EN)	-0.5	4	V
I <sub>SEL</sub> or I <sub>EN</sub>	Logic control input pin current (SEL or EN)	-30	30	mA
V <sub>S</sub> or V <sub>D</sub>	Source or drain pin voltage	-0.5	4	V
I <sub>S</sub> or I <sub>D</sub> (CONT)	Source and drain pin continuous current: (SxA, SxB, Dx)	-20	20	mA
T <sub>stg</sub>	Storage temperature	-65	150	°C
T <sub>J</sub>	Junction temperature		150	°C

- (1) Stresses beyond those listed under *Absolute Maximum Ratings* may cause permanent damage to the device. These are stress ratings only, which do not imply functional operation of the device at these or any other conditions beyond those indicated under *Recommended Operating Conditions*. Exposure to absolute-maximum-rated conditions for extended periods may affect device reliability.
- (2) The algebraic convention, whereby the most negative value is a minimum and the most positive value is a maximum.
- (3) All voltages are with respect to ground, unless otherwise specified.

### 6.2 ESD Ratings

		VALUE	UNIT
V <sub>(ESD)</sub>	Electrostatic discharge	Human body model (HBM), per ANSI/ESDA/ JEDEC JS-001 <sup>(1)</sup>	±2000
		Charged-device model (CDM), per JEDEC specification JESD22-C101 <sup>(2)</sup>	±750

- (1) JEDEC document JEP155 states that 500-V HBM allows safe manufacturing with a standard ESD control process.
- (2) JEDEC document JEP157 states that 250-V CDM allows safe manufacturing with a standard ESD control process.

### 6.3 Recommended Operating Conditions

		MIN	MAX	UNIT
V <sub>DD</sub>	Supply voltage	1.08	3.6	V
V <sub>S</sub> or V <sub>D</sub>	Signal path input/output voltage (source or drain pin), V <sub>DD</sub> ≥ 1.08 V <sup>(1)</sup>	0	V <sub>DD</sub> × 2	V
V <sub>S_off</sub> or V <sub>D_off</sub>	Signal path input/output voltage (source or drain pin), V <sub>DD</sub> = 0 V	0	3.6	V
V <sub>SEL</sub> or V <sub>EN</sub>	Logic control input voltage (EN, SEL)	0	3.6	V
T <sub>A</sub>	Ambient temperature	-40	125	°C

- (1) Device input/output can operate up to V<sub>DD</sub> × 2, with a maximum input/output voltage of 3.6 V.

### 6.4 Thermal Information

THERMAL METRIC <sup>(1)</sup>		DEVICE	UNIT
		YCJ (WCSP)	
		16 PINS	
R <sub>θJA</sub>	Junction-to-ambient thermal resistance	89.4	°C/W
R <sub>θJC(top)</sub>	Junction-to-case (top) thermal resistance	21.4	°C/W
R <sub>θJB</sub>	Junction-to-board thermal resistance	0.6	°C/W
Ψ <sub>JT</sub>	Junction-to-top characterization parameter	0.3	°C/W
Ψ <sub>JB</sub>	Junction-to-board characterization parameter	21.3	°C/W
R <sub>θJC(bot)</sub>	Junction-to-case (bottom) thermal resistance	N/A	°C/W

- (1) For more information about traditional and new thermal metrics, see the [Semiconductor and IC Package Thermal Metrics](#) application report.

## 6.5 Electrical Characteristics

 $V_{DD} = 1.08\text{ V to }3.6\text{ V}$ ,  $GND = 0\text{ V}$ ,  $T_A = -40^\circ\text{C to }+125^\circ\text{C}$ 

 Typical values are at  $V_{DD} = 3.3\text{ V}$ ,  $T_A = 25^\circ\text{C}$ , (unless otherwise noted)

PARAMETER		TEST CONDITIONS	MIN	TYP	MAX	UNIT
<b>POWER SUPPLY</b>						
$I_{DD}$	Active supply current	$V_{SEL} = 0\text{ V, }1.2\text{ V or }V_{DD}$ $V_S = 0\text{ V to }3.6\text{ V}$ $T_A = -40^\circ\text{C to }+85^\circ\text{C}$		7	10	$\mu\text{A}$
$I_{DD}$	Active supply current	$V_{SEL} = 0\text{ V, }1.2\text{ V or }V_{DD}$ $V_S = 0\text{ V to }3.6\text{ V}$ $T_A = -40^\circ\text{C to }+125^\circ\text{C}$		7	14	$\mu\text{A}$
<b>DC CHARACTERISTICS</b>						
$R_{ON}$	ON-state resistance	$V_S = 0\text{ V to }V_{DD}$ $I_{SD} = 8\text{ mA}$		1.7	6.5	$\Omega$
$R_{ON}$	On-resistance	$V_S = 0\text{ V to }V_{DD} * 2$ $V_{S(max)} = 3.6\text{ V}$ $I_{SD} = 8\text{ mA}$		3	8	$\Omega$
$\Delta R_{ON}$	On-resistance match between channels	$V_S = V_{DD}$ $I_{SD} = 8\text{ mA}$		0.1	0.4	$\Omega$
$R_{ON(FLAT)}$	On-resistance flatness	$V_S = 0\text{ V to }V_{DD}$ $I_{SD} = 8\text{ mA}$		1	3.5	$\Omega$
$I_{POFF}$	Powered-off I/O pin leakage current	$V_{DD} = 0\text{ V}$ $V_S = 0\text{ V to }3.6\text{ V}$ $V_D = 0\text{ V}$	-2	0.01	2	$\mu\text{A}$
$I_{S(OFF)}$ $I_{D(OFF)}$	OFF leakage current	Switch Off $V_D = 0.8*V_{DD} / 0.2*V_{DD}$ $V_S = 0.2*V_{DD} / 0.8*V_{DD}$ $T_A = -40^\circ\text{C to }+85^\circ\text{C}$	-10	0.01	10	nA
$I_{S(OFF)}$ $I_{D(OFF)}$	OFF leakage current	Switch Off $V_D = 0.8*V_{DD} / 0.2*V_{DD}$ $V_S = 0.2*V_{DD} / 0.8*V_{DD}$ $T_A = -40^\circ\text{C to }+125^\circ\text{C}$	-100	0.01	100	nA
$I_{D(ON)}$ $I_{S(ON)}$	ON leakage current	Switch On $V_D = 0.8 \times V_{DD} / 0.2 \times V_{DD}$ , S pins floating or $V_S = 0.8 \times V_{DD} / 0.2 \times V_{DD}$ , D pins floating $T_A = -40^\circ\text{C to }+85^\circ\text{C}$	-10	0.01	10	nA
$I_{D(ON)}$ $I_{S(ON)}$	ON leakage current	Switch On $V_D = 0.8*V_{DD} / 0.2*V_{DD}$ , S pins floating or $V_S = 0.8*V_{DD} / 0.2*V_{DD}$ , D pins floating $T_A = -40^\circ\text{C to }+125^\circ\text{C}$	-160	0.01	160	nA
<b>LOGIC INPUTS</b>						
$V_{IH}$	Input logic high		0.8		3.6	V
$V_{IL}$	Input logic low		0		0.45	V
$I_{IH}$	Input high leakage current	$V_{SEL} = 1.8\text{ V, }V_{DD}$		0.5	2.5	$\mu\text{A}$
$I_{IL}$	Input low leakage current	$V_{SEL} = 0\text{ V}$	-1	0.1		$\mu\text{A}$
$R_{PD}$	Internal pull-down resistor on logic pins			6		M $\Omega$
$C_i$	Logic input capacitance	$V_{SEL} = 0\text{ V, }1.8\text{ V or }V_{DD}$ $f = 1\text{ MHz}$		3		pF

## 6.6 Dynamic Characteristics

$V_{DD} = 1.08\text{ V to }3.6\text{ V}$ ,  $GND = 0\text{ V}$ ,  $T_A = -40^\circ\text{C to }+125^\circ\text{C}$

Typical values are at  $V_{DD} = 3.3\text{ V}$ ,  $T_A = 25^\circ\text{C}$ , (unless otherwise noted)

PARAMETER		TEST CONDITIONS		MIN	TYP	MAX	UNIT
$C_{OFF}$	Source and drain off capacitance	$V_S = 2.5\text{ V}$ $V_{SEL} = 0\text{ V}$ $f = 1\text{ MHz}$	Switch OFF		3.5		pF
$C_{ON}$	Source and drain on capacitance	$V_S = 2.5\text{ V}$ $V_{SEL} = 0\text{ V}$ $f = 1\text{ MHz}$	Switch ON		10		pF
$Q_C$	Charge Injection	$V_S = V_{DD}/2$ $R_S = 0\ \Omega$ , $C_L = 1\text{ nF}$	Switch ON		5		pC
$O_{ISO}$	Off isolation	$R_L = 50\ \Omega$ $f = 100\text{ kHz}$	Switch OFF		-95		dB
		$R_L = 50\ \Omega$ $f = 1\text{ MHz}$	Switch OFF		-70		dB
$X_{TALK}$	Channel to Channel crosstalk	$R_L = 50\ \Omega$ $f = 100\text{ kHz}$	Switch ON		-90		dB
BW	Bandwidth	$R_L = 50\ \Omega$	Switch ON		1.8		GHz
$I_{LOSS}$	Insertion loss	$R_L = 50\ \Omega$ $f = 1\text{ MHz}$	Switch ON		-0.15		dB

## 6.7 Timing Requirements

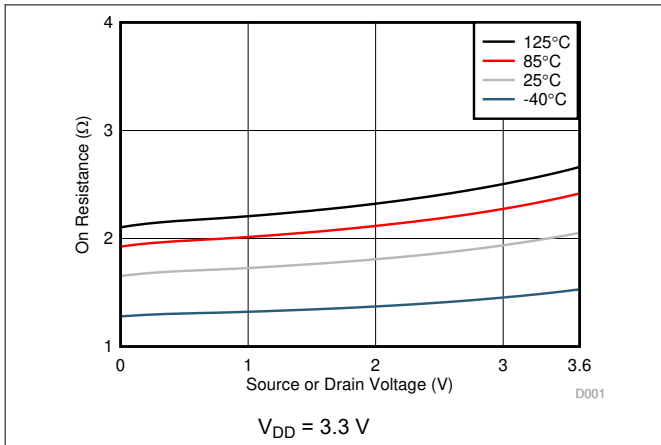
$V_{DD} = 1.08\text{ V to }3.6\text{ V}$ ,  $GND = 0\text{ V}$ ,  $T_A = -40^\circ\text{C to }+125^\circ\text{C}$

Typical values are at  $V_{DD} = 3.3\text{ V}$ ,  $T_A = 25^\circ\text{C}$ , (unless otherwise noted)

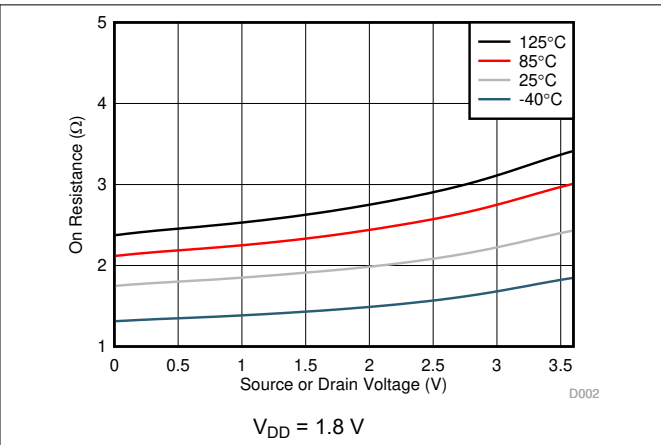
PARAMETER		TEST CONDITIONS	MIN	NOM	MAX	UNIT
$t_{\text{TRAN}}$	Transition time from control input	$V_{DD} = 1.8\text{ V to }3.6\text{ V}$ $V_S = V_{DD}$ $R_L = 200\ \Omega$ , $C_L = 15\text{ pF}$		35	80	ns
$t_{\text{TRAN}}$	Transition time from control input	$V_{DD} < 1.8\text{ V}$ $V_S = V_{DD}$ $R_L = 200\ \Omega$ , $C_L = 15\text{ pF}$		40	115	ns
$t_{\text{ON(EN)}}$	Device turn on time from enable pin	$V_S = V_{DD}$ $R_L = 200\ \Omega$ , $C_L = 15\text{ pF}$		55	130	ns
$t_{\text{OFF(EN)}}$	Device turn off time from enable pin	$V_S = V_{DD}$ $R_L = 200\ \Omega$ , $C_L = 15\text{ pF}$		30	60	ns
$t_{\text{ON(VDD)}}$	Device turn on time ( $V_{DD}$ to output)	$V_S = V_{DD}$ $V_{DD}$ rise time = $1\ \mu\text{s}$ $R_L = 200\ \Omega$ , $C_L = 15\text{ pF}$		300	990	$\mu\text{s}$
$t_{\text{OFF(VDD)}}$	Device turn off time ( $V_{DD}$ to output)	$V_S = V_{DD}$ $V_{DD}$ fall time = $1\ \mu\text{s}$ $R_L = 200\ \Omega$ , $C_L = 15\text{ pF}$		1	12	$\mu\text{s}$
$t_{\text{OPEN}}$ (BBM)	Break before make time	$V_S = 1\text{ V}$ $R_L = 200\ \Omega$ , $C_L = 15\text{ pF}$	1			ns
$t_{\text{SK(P)}}$	Inter - channel skew			6		ps
$t_{\text{PD}}$	Propagation delay			60		ps

## 6.8 Typical Characteristics

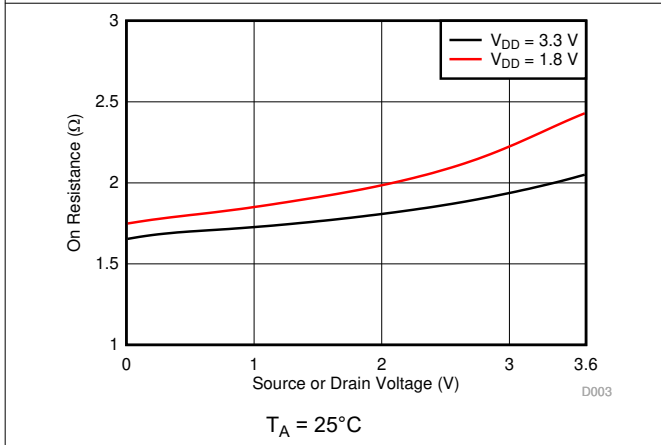
At  $T_A = 25^\circ\text{C}$ ,  $V_{DD} = 3.3\text{ V}$  (unless otherwise noted).



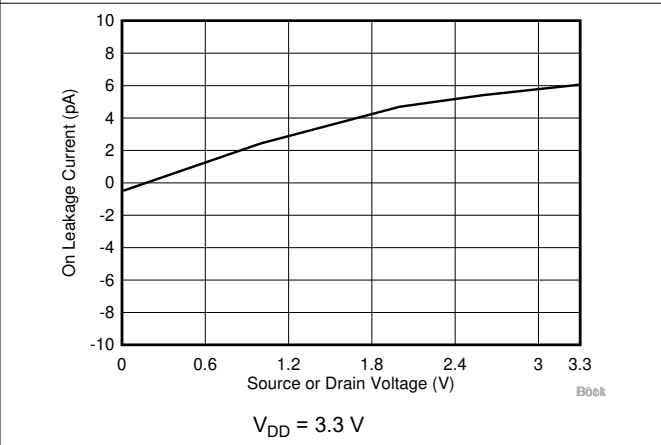
**Figure 6-1. On-Resistance vs Temperature**



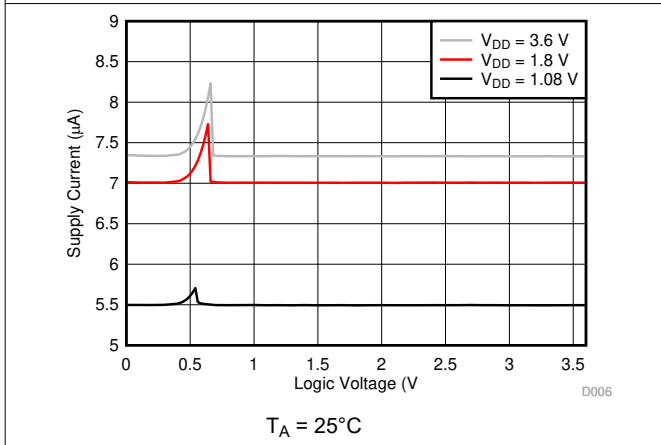
**Figure 6-2. On-Resistance vs Temperature**



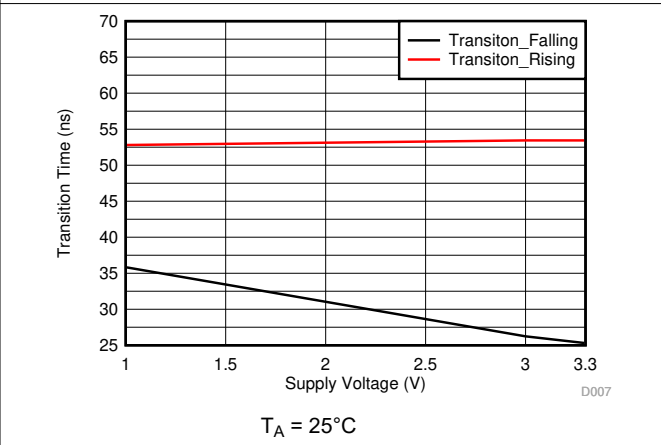
**Figure 6-3. On-Resistance vs Source or Drain Voltage**



**Figure 6-4. On-Leakage vs Source or Drain Voltage**

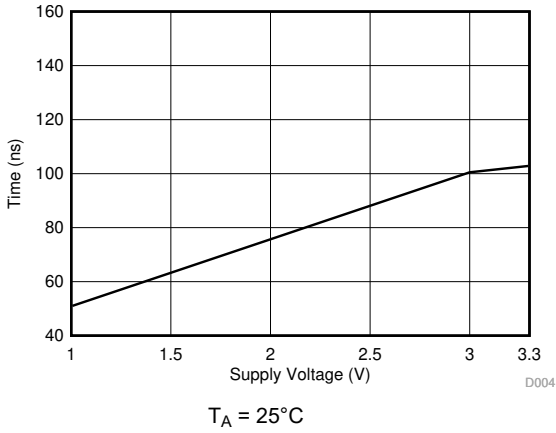


**Figure 6-5. Supply Current vs Logic Voltage**

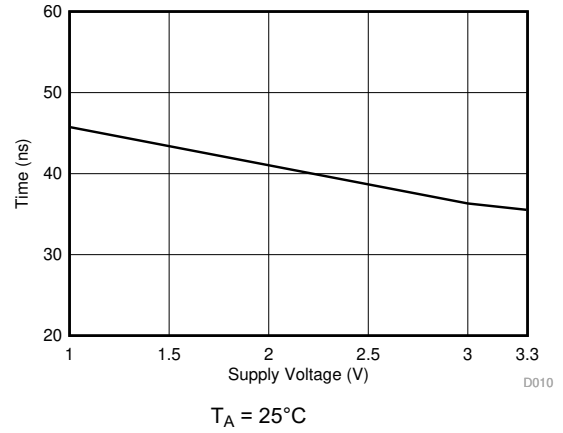


**Figure 6-6. T<sub>TRANSITION</sub> vs Supply Voltage**

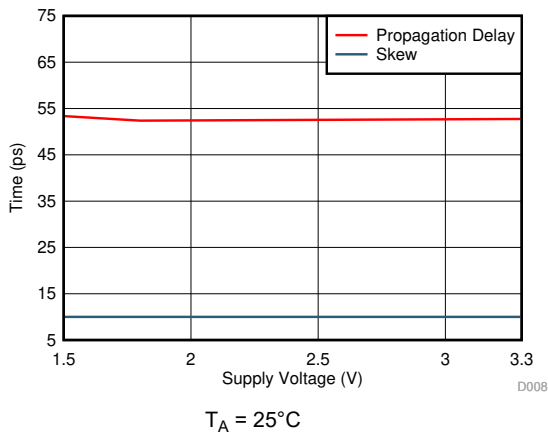




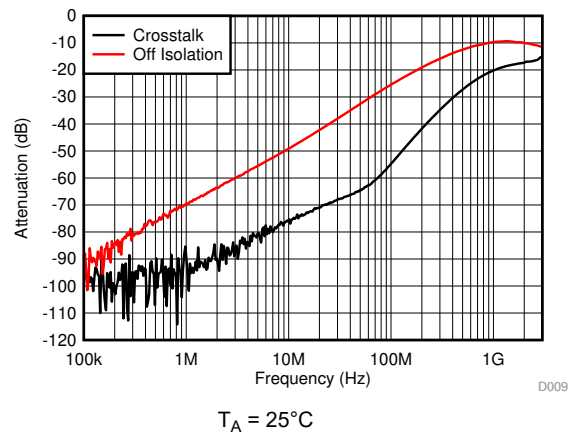
**Figure 6-7. T<sub>ON</sub> (EN) vs Supply Voltage**



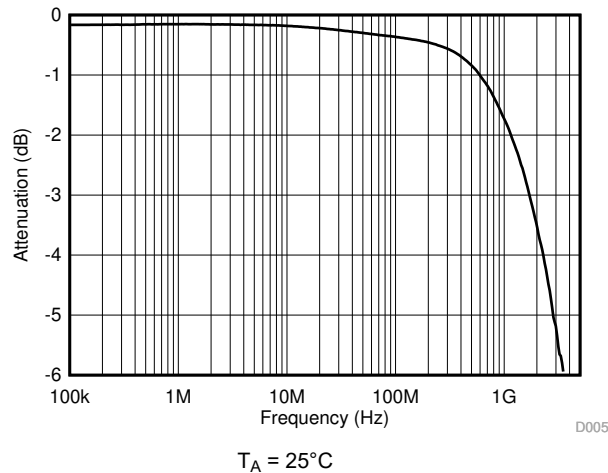
**Figure 6-8. T<sub>OFF</sub> (EN) vs Supply Voltage**



**Figure 6-9. Skew and Propagation Delay vs Supply Voltage**



**Figure 6-10. Off Isolation and Crosstalk vs Frequency**



**Figure 6-11. On-Response vs Frequency**

## 7 Parameter Measurement Information

### 7.1 On-Resistance

The on-resistance of a device is the ohmic resistance between the source (Sx) and drain (Dx) pins of the device. The on-resistance varies with input voltage and supply voltage. The symbol  $R_{ON}$  is used to denote on-resistance. The measurement setup used to measure  $R_{ON}$  is shown in Figure 7-1. Voltage (V) and current ( $I_{SD}$ ) are measured using this setup, and  $R_{ON}$  is computed as shown below with  $R_{ON} = V / I_{SD}$ :

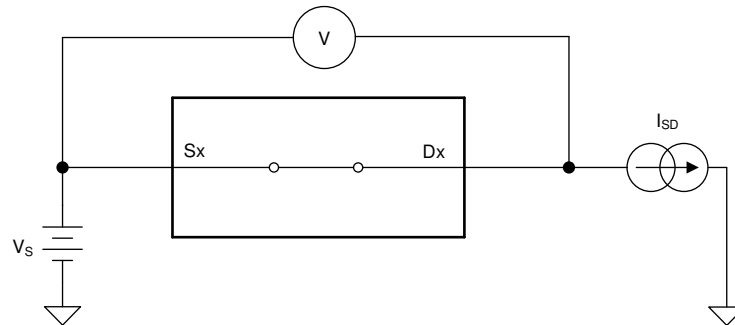


Figure 7-1. On-Resistance Measurement Setup

### 7.2 Off-Leakage Current

Source leakage current is defined as the leakage current flowing into or out of the source pin when the switch is off. This current is denoted by the symbol  $I_{S(OFF)}$ .

Drain leakage current is defined as the leakage current flowing into or out of the drain pin when the switch is off. This current is denoted by the symbol  $I_{D(OFF)}$ .

The setup used to measure both off-leakage currents is shown in Figure 7-2.

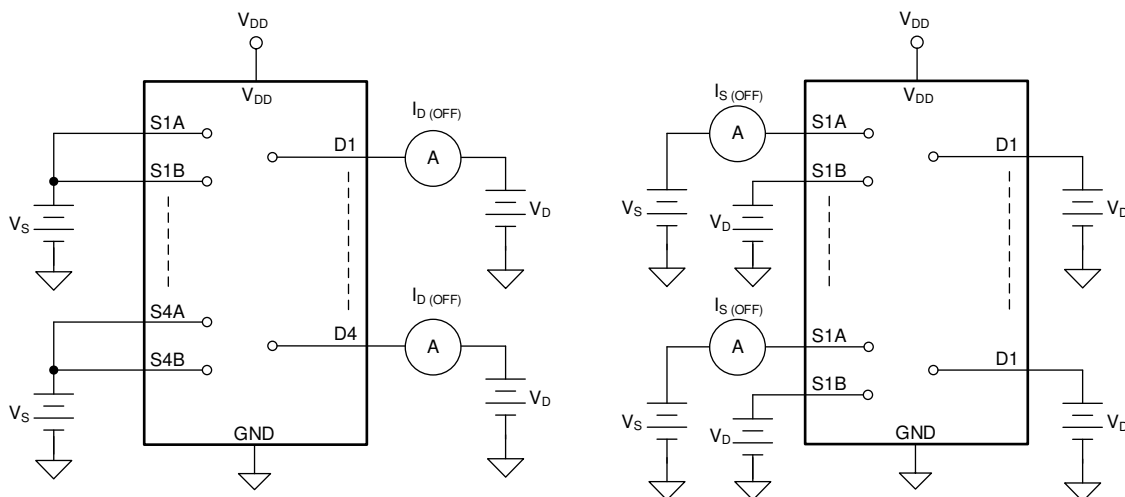


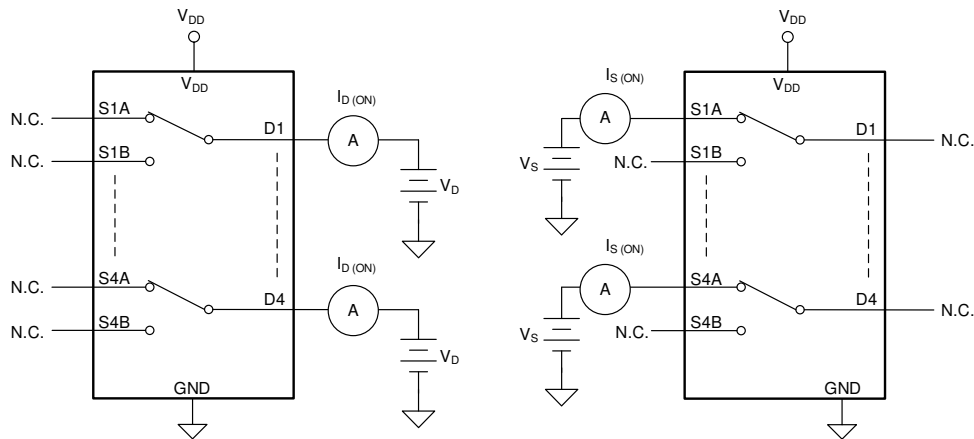
Figure 7-2. Off-Leakage Measurement Setup

### 7.3 On-Leakage Current

Source on-leakage current is defined as the leakage current flowing into or out of the source pin when the switch is on. This current is denoted by the symbol  $I_{S(ON)}$ .

Drain on-leakage current is defined as the leakage current flowing into or out of the drain pin when the switch is on. This current is denoted by the symbol  $I_{D(ON)}$ .

Either the source pin or drain pin is left floating during the measurement. Figure 7-3 shows the circuit used for measuring the on-leakage current, denoted by  $I_{S(ON)}$  or  $I_{D(ON)}$ .

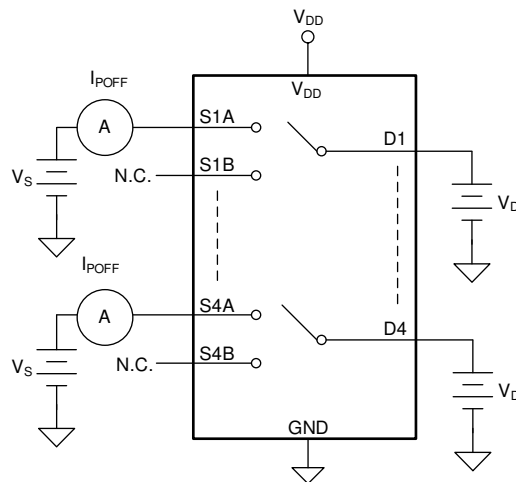


**Figure 7-3. On-Leakage Measurement Setup**

### 7.4 $I_{POFF}$ Leakage Current

$I_{POFF}$  leakage current is defined as the leakage current flowing into or out of the source pin when the device is powered off. This current is denoted by the symbol  $I_{POFF}$ .

The setup used to measure both  $I_{POFF}$  leakage current is shown in Figure 7-4.



**Figure 7-4.  $I_{POFF}$  Leakage Measurement Setup**

## 7.5 Transition Time

Transition time is defined as the time taken by the output of the device to rise or fall 10% after the select signal has risen or fallen past the logic threshold. The 10% transition measurement is utilized to provide the timing of the device. The time constant from the load resistance and load capacitance can be added to the transition time to calculate system level timing. Figure 7-5 shows the setup used to measure transition time, denoted by the symbol  $t_{\text{TRANSITION}}$ .

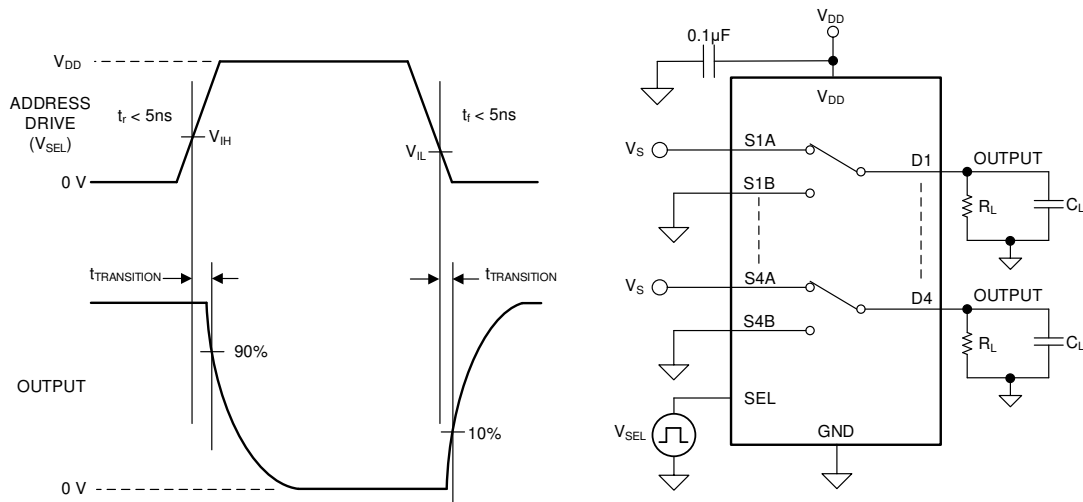


Figure 7-5. Transition-Time Measurement Setup

## 7.6 $t_{\text{ON (EN)}}$ and $t_{\text{OFF (EN)}}$ Time

The  $t_{\text{ON (EN)}}$  time is defined as the time taken by the output of the device to rise to 90% after the enable has fallen past the logic threshold. The 90% measurement is used to provide the timing of the device being enabled in the system. Figure 7-6 shows the setup used to measure the enable time, denoted by the symbol  $t_{\text{ON (EN)}}$ .

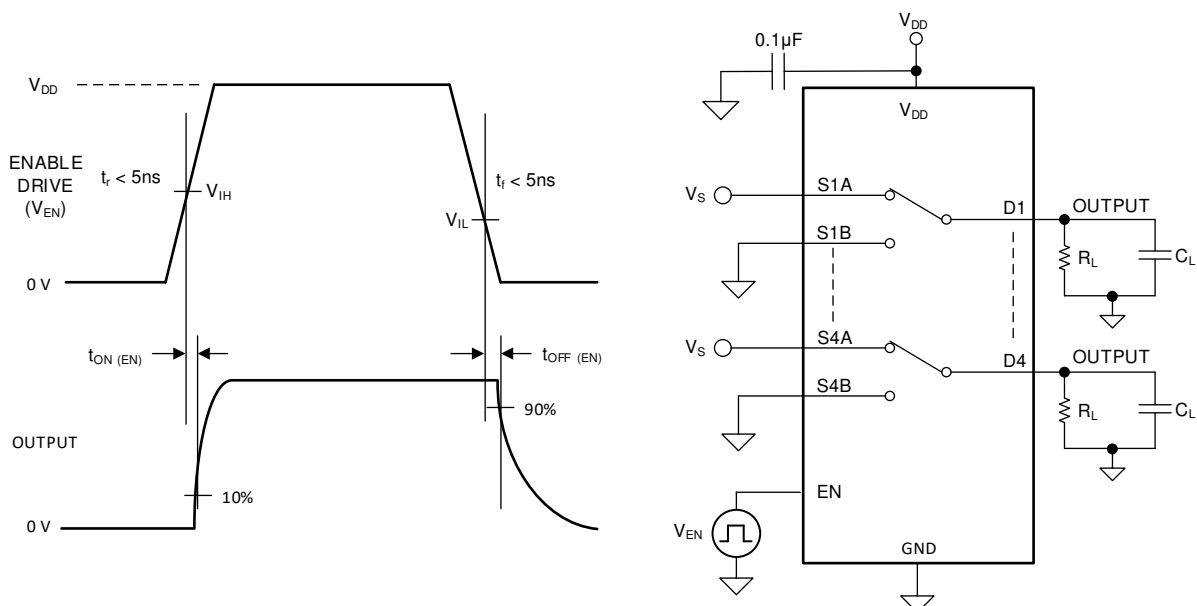
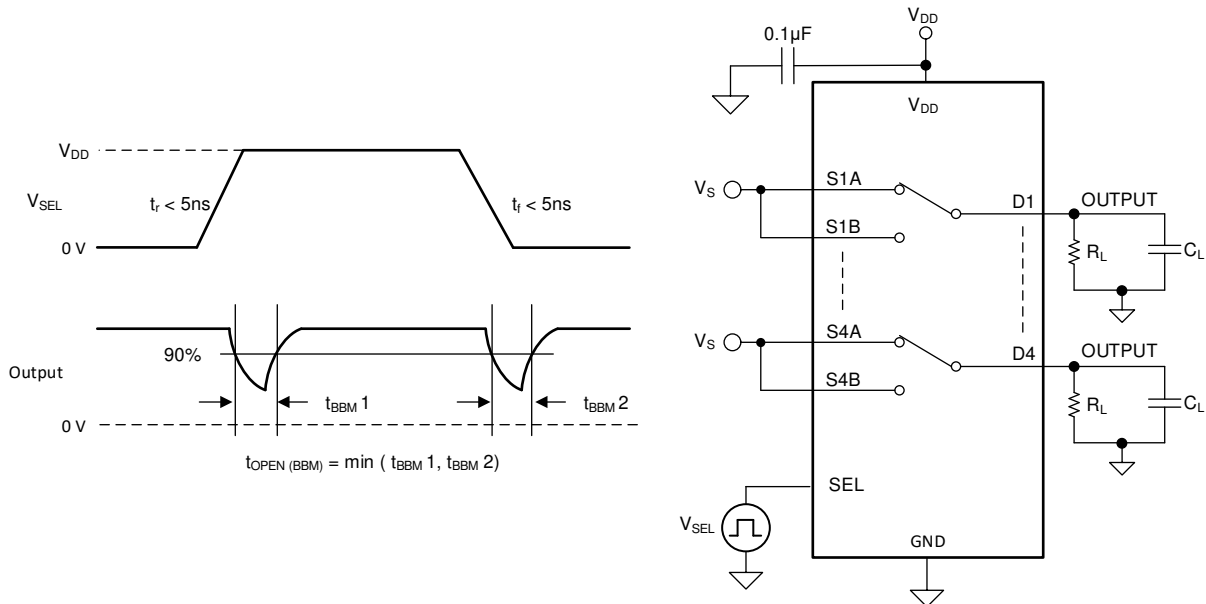


Figure 7-6.  $t_{\text{ON (EN)}}$  and  $t_{\text{OFF (EN)}}$  Time Measurement Setup

## 7.7 Break-Before-Make Delay

Break-before-make delay is a safety feature that prevents two inputs from connecting when the device is switching. The output first breaks from the on-state switch before making the connection with the next on-state switch. The time delay between the *break* and the *make* is known as break-before-make delay. Figure 7-7 shows the setup used to measure break-before-make delay, denoted by the symbol  $t_{OPEN(BBM)}$ .



**Figure 7-7. Break-Before-Make Delay Measurement Setup**

## 7.8 Charge Injection

The amount of charge injected into the source or drain of the device during the falling or rising edge of the gate signal is known as charge injection, and is denoted by the symbol  $Q_C$ . Figure 7-8 shows the setup used to measure charge injection from source (Sx) to drain (Dx).

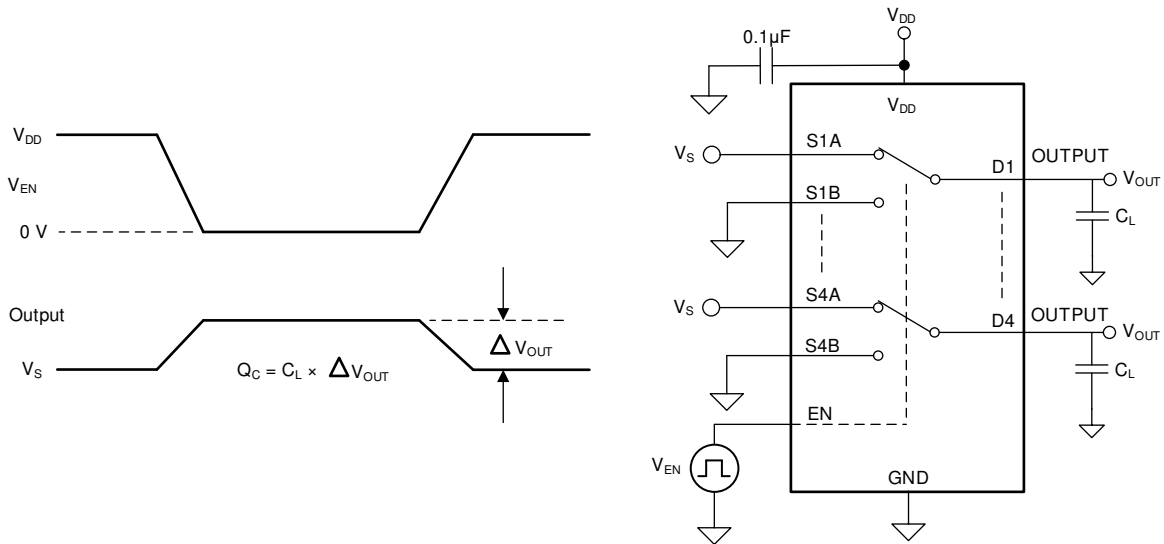
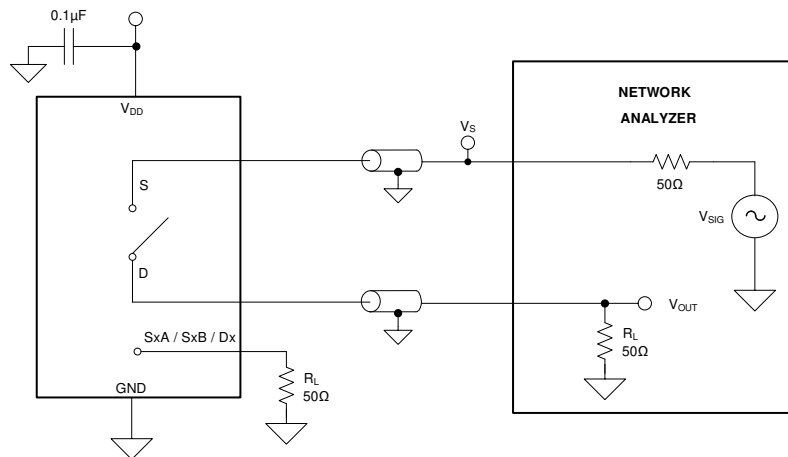


Figure 7-8. Charge-Injection Measurement Setup

### 7.9 Off Isolation

Off isolation is defined as the ratio of the signal at the drain pin (Dx) of the device when a signal is applied to the source pin (Sx) of an off-channel. The characteristic impedance,  $Z_0$ , for the measurement is 50  $\Omega$ . Figure 7-9 shows the setup used to measure off isolation. Use off isolation equation to compute off isolation.

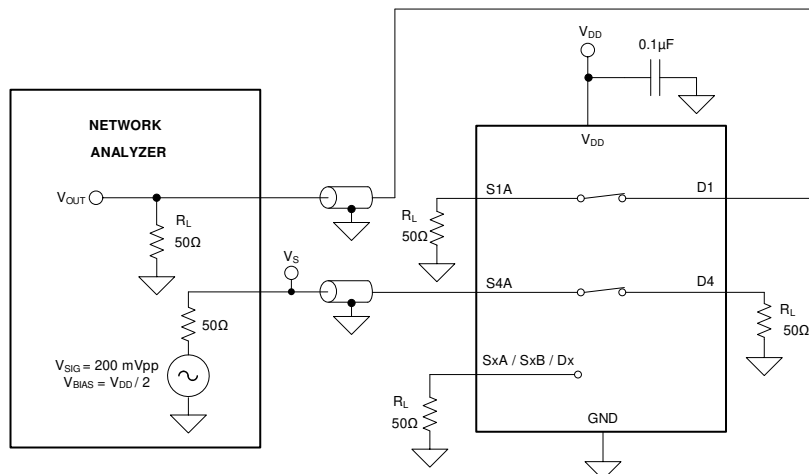


**Figure 7-9. Off Isolation Measurement Setup**

$$\text{Off Isolation} = 20 \cdot \text{Log} \left( \frac{V_{\text{OUT}}}{V_{\text{S}}} \right) \tag{1}$$

### 7.10 Channel-to-Channel Crosstalk

Crosstalk is defined as the ratio of the signal at the drain pin (Dx) of a different channel, when a signal is applied at the source pin (Sx) of an on-channel. The characteristic impedance,  $Z_0$ , for the measurement is 50  $\Omega$ . Figure 7-10 shows the setup used to measure, and the equation used to compute crosstalk.

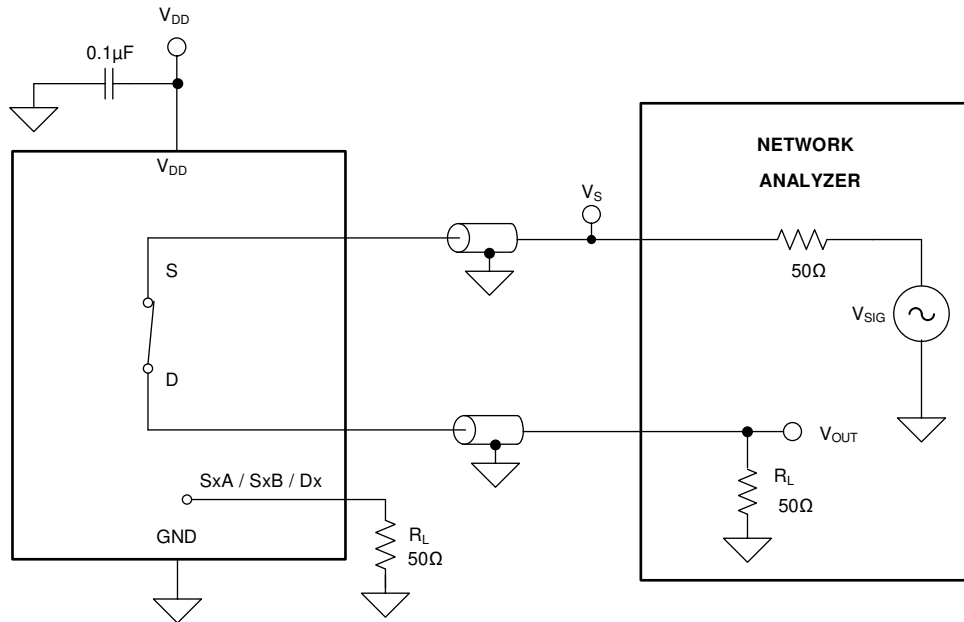


**Figure 7-10. Channel-to-Channel Crosstalk Measurement Setup**

$$\text{Channel-to-Channel Crosstalk} = 20 \cdot \text{Log} \left( \frac{V_{\text{OUT}}}{V_{\text{S}}} \right) \tag{2}$$

## 7.11 Bandwidth

Bandwidth is defined as the range of frequencies that are attenuated by less than 3 dB when the input is applied to the source pin (Sx) of an on-channel, and the output is measured at the drain pin (Dx) of the device. The characteristic impedance,  $Z_0$ , for the measurement is 50  $\Omega$ . Figure 7-11 shows the setup used to measure bandwidth.



**Figure 7-11. Bandwidth Measurement Setup**

$$\text{Attenuation} = 20 \times \text{Log} \left( \frac{V_{OUT}}{V_S} \right)$$

(3)

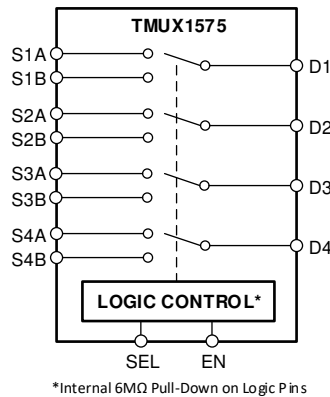


## 8 Detailed Description

### 8.1 Overview

The TMUX1575 is a high speed 2:1 (SPDT) 4-ch. switch with powered-off protection. Wide operating supply of 1.08 V to 3.6 V allows for use in a wide array of applications from servers and communication equipment to personal electronics. The device supports bidirectional analog and digital signals on the source (SxA, SxB) and drain (Dx) pins. The wide bandwidth of this switch allows little or no attenuation of high-speed signals at the outputs to pass with minimum edge and phase distortion as well as propagation delay.

### 8.2 Functional Block Diagram



### 8.3 Feature Description

#### 8.3.1 Bidirectional Operation

The TMUX1575 conducts equally well from source (SxA, SxB) to drain (Dx) or from drain (Dx) to source (SxA, SxB). Each channel has very similar characteristics in both directions and supports both analog and digital signals.

#### 8.3.2 Beyond Supply Operation

When the TMUX1575 is powered from 1.08 V to 3.6 V, the valid signal path input and output voltage ranges from GND to  $V_{DD} \times 2$ , with a maximum input/output voltage of 3.6 V.

Example 1: If the TMUX1575 is powered at 1.2 V, the signal range is 0 V to 2.4 V.

Example 2: If the TMUX1575 is powered at 1.8 V, the signal range is 0 V to 3.6 V.

Example 3: If the TMUX1575 is powered at 3.6 V, the signal range is 0 V to 3.6 V.

Other voltage levels not mentioned in the examples support Beyond Supply Operation as long as the supply voltage falls within the recommended operation conditions of 1.08 V to 3.6 V.

#### 8.3.3 1.2 V Logic Compatible Inputs

The TMUX1575 has 1.2-V logic compatible control inputs. Regardless of the  $V_{DD}$  voltage, the control input thresholds remain fixed, allowing a 1.8-V processor GPIO to control the TMUX1575 without the need for an external translator. This saves both space and BOM cost. For more information on 1.2 V and 1.8 V logic implementations, refer to [Simplifying Design with 1.8 V logic Muxes and Switches](#).

#### 8.3.4 Powered-off Protection

Powered-off protection up on the signal path of the TMUX1575 provides isolation when the supply voltage is removed ( $V_{DD} = 0$  V). When the TMUX1575 is powered-off, the I/Os of the device remain in a high-Z state. Powered-off protection minimizes system complexity by removing the need for power supply sequencing on the signal path. The device performance remains within the leakage performance mentioned in the Electrical Specifications. For more information on powered-off protection, refer to [Eliminate Power Sequencing with Powered-off Protection Signal Switches](#).

### 8.3.5 Fail-Safe Logic

The TMUX1575 has Fail-Safe Logic on the control input pins (SELx) which allows for operation up to 3.6 V, regardless of the state of the supply pin. This feature allows voltages on the control pins to be applied before the supply pin, protecting the device from potential damage. Fail-Safe Logic minimizes system complexity by removing the need for power supply sequencing on the logic control pins. For example, the Fail-Safe Logic feature allows the select pins of the TMUX1575 to be ramped to 3.6 V while  $V_{DD} = 0$  V. Additionally, the feature enables operation of the TMUX1575 with  $V_{DD} = 1.08$  V while allowing the select pins to interface with a logic level of another device up to 3.6 V.

### 8.3.6 Integrated Pull-Down Resistors

The TMUX1575 has internal weak pull-down resistors (6 M $\Omega$ ) to GND to ensure the logic pins are not left floating. This feature integrates external components and reduces system size and cost.

## 8.4 Device Functional Modes

The enable (EN) pin is an active-high logic pin that controls the connection between the source (SxA, SxB) and drain (Dx) pins of the device. When the enable pin is pulled low, all switches are turned off. When the enable is pulled high, the select pin controls the signal path selection. The select pin (SEL) controls the state of all four channels of the TMUX1575 and determines which source pin is connected to the drain pins. When the select pin is pulled low, the SxA pin conducts to the corresponding Dx pins. When the select pin is pulled high, the SxB pin conducts to the corresponding Dx pins. The TMUX1575 logic pins have internal weak pull-down resistors (6 M $\Omega$ ) to GND so that it powers-on in a known state.

The TMUX1575 can be operated without any external components except for the supply decoupling capacitors. Unused logic control pins should be tied to GND or  $V_{DD}$  in order to ensure the device does not consume additional current as highlighted in [Implications of Slow or Floating CMOS Inputs](#). Unused signal path inputs (SxA, SxB, or Dx) should be connected to GND.

### 8.4.1 Truth Tables

**Table 8-1. TMUX1575 Truth Table**

INPUTS		Selected Source Pins Connected To Drain Pins (Dx)
EN	SEL	
1	0	S1A connected to D1 S2A connected to D2 S3A connected to D3 S4A connected to D4
1	1	S1B connected to D1 S2B connected to D2 S3B connected to D3 S4B connected to D4
0	X <sup>(1)</sup>	Hi-Z (OFF)

(1) X denotes *don't care*.

## 9 Application and Implementation

### Note

Information in the following applications sections is not part of the TI component specification, and TI does not warrant its accuracy or completeness. TI's customers are responsible for determining suitability of components for their purposes, as well as validating and testing their design implementation to confirm system functionality.

### 9.1 Typical Application

Common applications that require the features of the TMUX1575 include multiplexing various protocols from a processor or MCU such as SPI, JTAG, eMMC, or standard GPIO signals. The TMUX1575 provides superior isolation performance when the device is powered. The added benefit of powered-off protection allows a system to minimize complexity by eliminating the need for power sequencing in hot-swap and live insertion applications. The example shown in [Figure 9-1](#) illustrates the use of the TMUX1575 to multiplex an SPI bus to multiple flash memory devices.

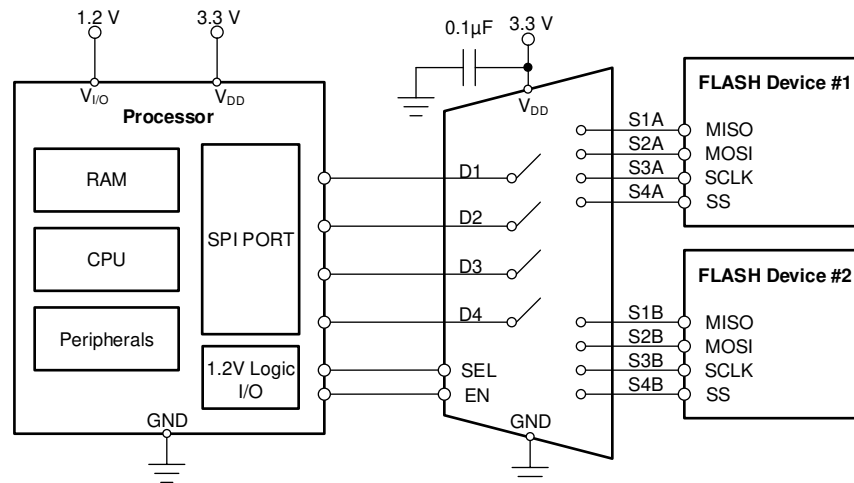


Figure 9-1. Multiplexing Flash Memory

#### 9.1.1 Design Requirements

For this design example, use the parameters listed in [Table 9-1](#).

Table 9-1. Design Parameters

PARAMETERS	VALUES
Supply ( $V_{DD}$ )	3.3 V
Input / Output signal range	0 V to 3.3 V
Control logic thresholds	1.2 V compatible

#### 9.1.2 Detailed Design Procedure

The TMUX1575 can be operated without any external components except for the supply decoupling capacitors. The TMUX1575 has internal weak pull-down resistors (6 M $\Omega$ ) to GND so that it powers-on with the switches in a known state. All inputs signals passing through the switch must fall within the recommend operating conditions of the TMUX1575 including signal range and continuous current. For this design example, with a supply of 3.3 V, the signals can range from 0 V to 3.3 V when the device is powered. This example can also utilize the [Powered-off protection](#) feature where the inputs can range from 0 V to 3.6 V when  $V_{DD} = 0$  V. Due to the voltage range and high speed capability, the TMUX1575 example is suitable for use in SPI, JTAG, eMMC, and I2S

applications. Refer to [Enabling SPI-based flash memory expansion by using multiplexers](#) for more information on using switches and multiplexers for SPI protocol expansion.

## 10 Power Supply Recommendations

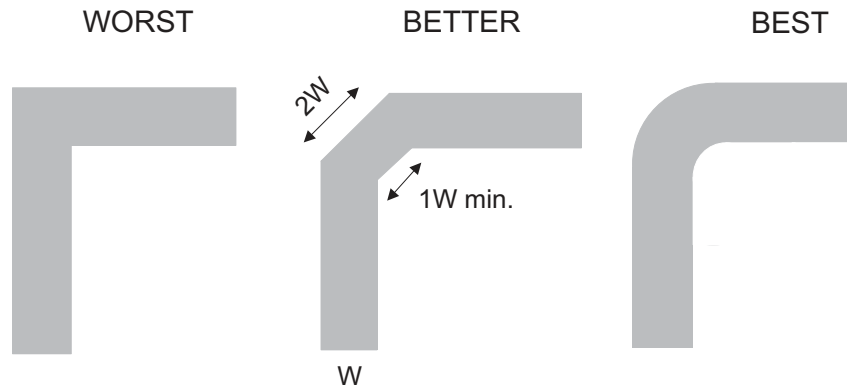
The TMUX1575 operates across a wide supply range of 1.08 V to 3.6 V. Do not exceed the absolute maximum ratings because stresses beyond the listed ratings can cause permanent damage to the devices.

Power-supply bypassing improves noise margin and prevents switching noise propagation from the  $V_{DD}$  supply to other components. Good power-supply decoupling is important to achieve optimum performance. For improved supply noise immunity, use a supply decoupling capacitor ranging from 0.1  $\mu\text{F}$  to 10  $\mu\text{F}$  from  $V_{DD}$  to ground. Place the bypass capacitors as close to the power supply pins of the device as possible using low-impedance connections. TI recommends using multi-layer ceramic chip capacitors (MLCCs) that offer low equivalent series resistance (ESR) and inductance (ESL) characteristics for power-supply decoupling purposes. For very sensitive systems, or for systems in harsh noise environments, avoiding the use of vias for connecting the capacitors to the device pins may offer superior noise immunity. The use of multiple vias in parallel lowers the overall inductance and is beneficial for connections to ground planes.

## 11 Layout

### 11.1 Layout Guidelines

When a PCB trace turns a corner at a  $90^\circ$  angle, a reflection can occur. A reflection occurs primarily because of the change of width of the trace. At the apex of the turn, the trace width increases to 1.414 times the width. This increase upsets the transmission-line characteristics, especially the distributed capacitance and self-inductance of the trace which results in the reflection. Not all PCB traces can be straight and therefore some traces must turn corners. [Figure 11-1](#) shows progressively better techniques of rounding corners. Only the last example (BEST) maintains constant trace width and minimizes reflections.



**Figure 11-1. Trace Example**

Route the high-speed signals using a minimum of vias and corners which reduces signal reflections and impedance changes. When a via must be used, increase the clearance size around it to minimize its capacitance. Each via introduces discontinuities in the signal's transmission line and increases the chance of picking up interference from the other layers of the board. Be careful when designing test points, through-hole pins are not recommended at high frequencies.

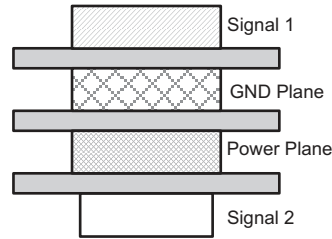
Do not route high speed signal traces under or near crystals, oscillators, clock signal generators, switching regulators, mounting holes, magnetic devices or ICs that use or duplicate clock signals.

Avoid stubs on the high-speed signals traces because they cause signal reflections.

Route all high-speed signal traces over continuous GND planes, with no interruptions.

Avoid crossing over anti-etch, commonly found with plane splits.

When working with high frequencies, a printed circuit board with at least four layers is recommended; two signal layers separated by a ground and power layer as shown in [Figure 11-2](#).



**Figure 11-2. Example Layout**

The majority of signal traces must run on a single layer, preferably Signal 1. Immediately next to this layer must be the GND plane, which is solid with no cuts. Avoid running signal traces across a split in the ground or power plane. When running across split planes is unavoidable, sufficient decoupling must be used. Minimizing the number of signal vias reduces EMI by reducing inductance at high frequencies. [Figure 11-3](#) illustrates an example of a PCB layout with the TMUX1575. Some key considerations are:

Decouple the  $V_{DD}$  pin with a 0.1- $\mu\text{F}$  capacitor, placed as close to the pin as possible. Make sure that the capacitor voltage rating is sufficient for the  $V_{DD}$  supply.

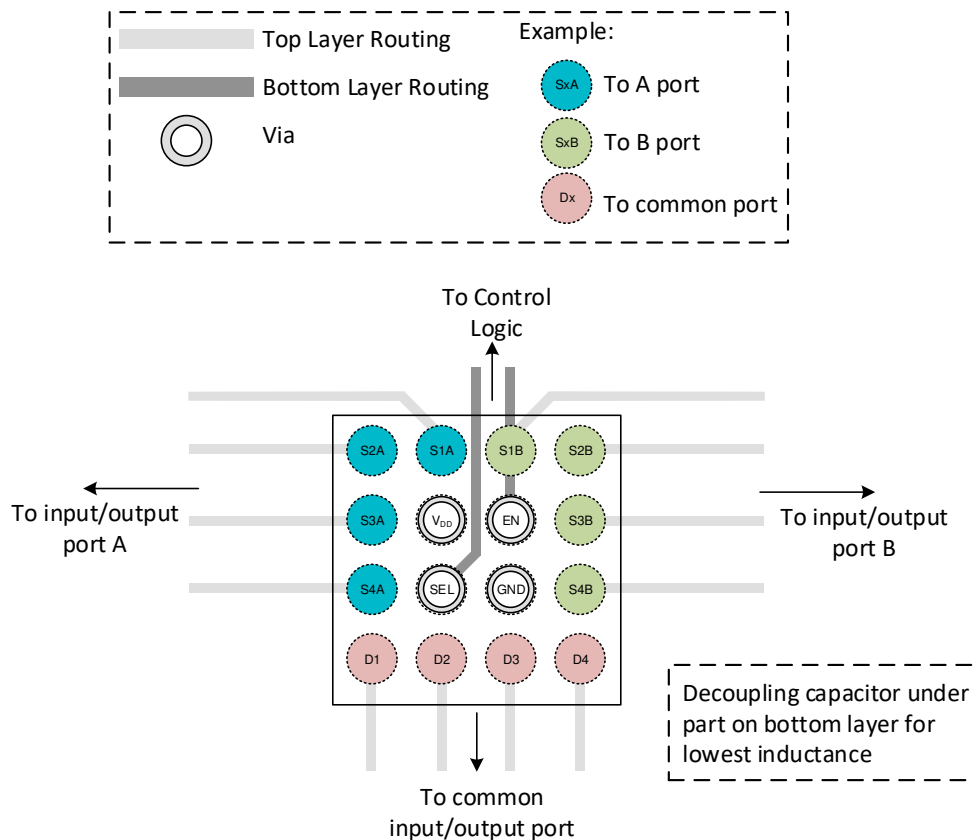
High-speed switches require proper layout and design procedures for optimum performance.

Keep the input lines as short as possible.

Use a solid ground plane to help reduce electromagnetic interference (EMI) noise pickup.

Do not run sensitive analog traces in parallel with digital traces. Avoid crossing digital and analog traces if possible, and only make perpendicular crossings when necessary.

### 11.2 Layout Example



**Figure 11-3. Example Layout**

## 12 Device and Documentation Support

### 12.1 Documentation Support

#### 12.1.1 Related Documentation

Texas Instruments, [Improve Stability Issues with Low CON Multiplexers](#).

Texas Instruments, [Enabling SPI-based flash memory expansion by using multiplexers](#).

Texas Instruments, [Simplifying Design with 1.8 V logic Muxes and Switches](#).

Texas Instruments, [Eliminate Power Sequencing with Powered-off Protection Signal Switches](#).

Texas Instruments, [System-Level Protection for High-Voltage Analog Multiplexers](#).

Texas Instruments, [High-Speed Interface Layout Guidelines](#).

Texas Instruments, [High-Speed Layout Guidelines](#).

Texas Instruments, [QFN/SON PCB Attachment](#).

Texas Instruments, [Quad Flatpack No-Lead Logic Packages](#).

#### 12.2 Receiving Notification of Documentation Updates

To receive notification of documentation updates, navigate to the device product folder on [ti.com](#). Click on [Subscribe to updates](#) to register and receive a weekly digest of any product information that has changed. For change details, review the revision history included in any revised document.

#### 12.3 Support Resources

[TI E2E™ support forums](#) are an engineer's go-to source for fast, verified answers and design help — straight from the experts. Search existing answers or ask your own question to get the quick design help you need.

Linked content is provided "AS IS" by the respective contributors. They do not constitute TI specifications and do not necessarily reflect TI's views; see TI's [Terms of Use](#).

#### 12.4 Trademarks

TI E2E™ is a trademark of Texas Instruments.

All trademarks are the property of their respective owners.

#### 12.5 Electrostatic Discharge Caution



This integrated circuit can be damaged by ESD. Texas Instruments recommends that all integrated circuits be handled with appropriate precautions. Failure to observe proper handling and installation procedures can cause damage.

ESD damage can range from subtle performance degradation to complete device failure. Precision integrated circuits may be more susceptible to damage because very small parametric changes could cause the device not to meet its published specifications.

#### 12.6 Glossary

[TI Glossary](#) This glossary lists and explains terms, acronyms, and definitions.

## 13 Mechanical, Packaging, and Orderable Information

The following pages include mechanical, packaging, and orderable information. This information is the most current data available for the designated devices. This data is subject to change without notice and revision of this document. For browser-based versions of this data sheet, refer to the left-hand navigation.

**PACKAGING INFORMATION**

Orderable Device	Status (1)	Package Type	Package Drawing	Pins	Package Qty	Eco Plan (2)	Lead finish/ Ball material (6)	MSL Peak Temp (3)	Op Temp (°C)	Device Marking (4/5)	Samples
TMUX1575YCJR	ACTIVE	DSBGA	YCJ	16	3000	RoHS & Green	SNAGCU	Level-1-260C-UNLIM	-40 to 125	1575	<b>Samples</b>

(1) The marketing status values are defined as follows:

**ACTIVE:** Product device recommended for new designs.

**LIFEBUY:** TI has announced that the device will be discontinued, and a lifetime-buy period is in effect.

**NRND:** Not recommended for new designs. Device is in production to support existing customers, but TI does not recommend using this part in a new design.

**PREVIEW:** Device has been announced but is not in production. Samples may or may not be available.

**OBSOLETE:** TI has discontinued the production of the device.

(2) **RoHS:** TI defines "RoHS" to mean semiconductor products that are compliant with the current EU RoHS requirements for all 10 RoHS substances, including the requirement that RoHS substance do not exceed 0.1% by weight in homogeneous materials. Where designed to be soldered at high temperatures, "RoHS" products are suitable for use in specified lead-free processes. TI may reference these types of products as "Pb-Free".

**RoHS Exempt:** TI defines "RoHS Exempt" to mean products that contain lead but are compliant with EU RoHS pursuant to a specific EU RoHS exemption.

**Green:** TI defines "Green" to mean the content of Chlorine (Cl) and Bromine (Br) based flame retardants meet JS709B low halogen requirements of <=1000ppm threshold. Antimony trioxide based flame retardants must also meet the <=1000ppm threshold requirement.

(3) MSL, Peak Temp. - The Moisture Sensitivity Level rating according to the JEDEC industry standard classifications, and peak solder temperature.

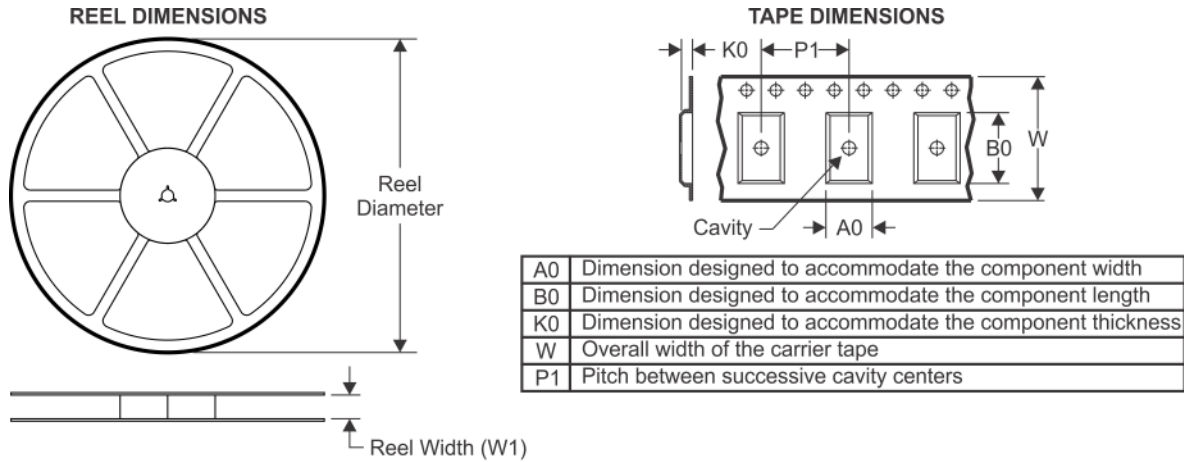
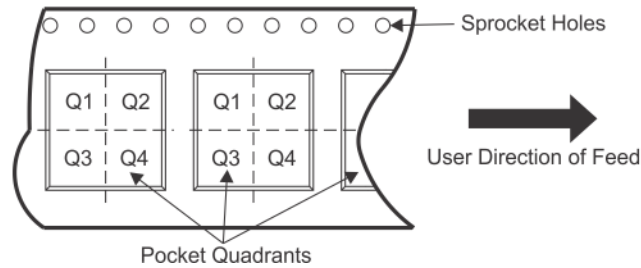
(4) There may be additional marking, which relates to the logo, the lot trace code information, or the environmental category on the device.

(5) Multiple Device Markings will be inside parentheses. Only one Device Marking contained in parentheses and separated by a "-" will appear on a device. If a line is indented then it is a continuation of the previous line and the two combined represent the entire Device Marking for that device.

(6) Lead finish/Ball material - Orderable Devices may have multiple material finish options. Finish options are separated by a vertical ruled line. Lead finish/Ball material values may wrap to two lines if the finish value exceeds the maximum column width.

**Important Information and Disclaimer:**The information provided on this page represents TI's knowledge and belief as of the date that it is provided. TI bases its knowledge and belief on information provided by third parties, and makes no representation or warranty as to the accuracy of such information. Efforts are underway to better integrate information from third parties. TI has taken and continues to take reasonable steps to provide representative and accurate information but may not have conducted destructive testing or chemical analysis on incoming materials and chemicals. TI and TI suppliers consider certain information to be proprietary, and thus CAS numbers and other limited information may not be available for release.

In no event shall TI's liability arising out of such information exceed the total purchase price of the TI part(s) at issue in this document sold by TI to Customer on an annual basis.

**TAPE AND REEL INFORMATION**

**QUADRANT ASSIGNMENTS FOR PIN 1 ORIENTATION IN TAPE**


\*All dimensions are nominal

Device	Package Type	Package Drawing	Pins	SPQ	Reel Diameter (mm)	Reel Width W1 (mm)	A0 (mm)	B0 (mm)	K0 (mm)	P1 (mm)	W (mm)	Pin1 Quadrant
TMUX1575YCJR	DSBGA	YCJ	16	3000	180.0	8.4	1.46	1.46	0.43	4.0	8.0	Q1

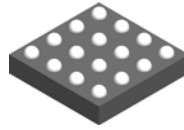


**TAPE AND REEL BOX DIMENSIONS**


\*All dimensions are nominal

Device	Package Type	Package Drawing	Pins	SPQ	Length (mm)	Width (mm)	Height (mm)
TMUX1575YCJR	DSBGA	YCJ	16	3000	182.0	182.0	20.0

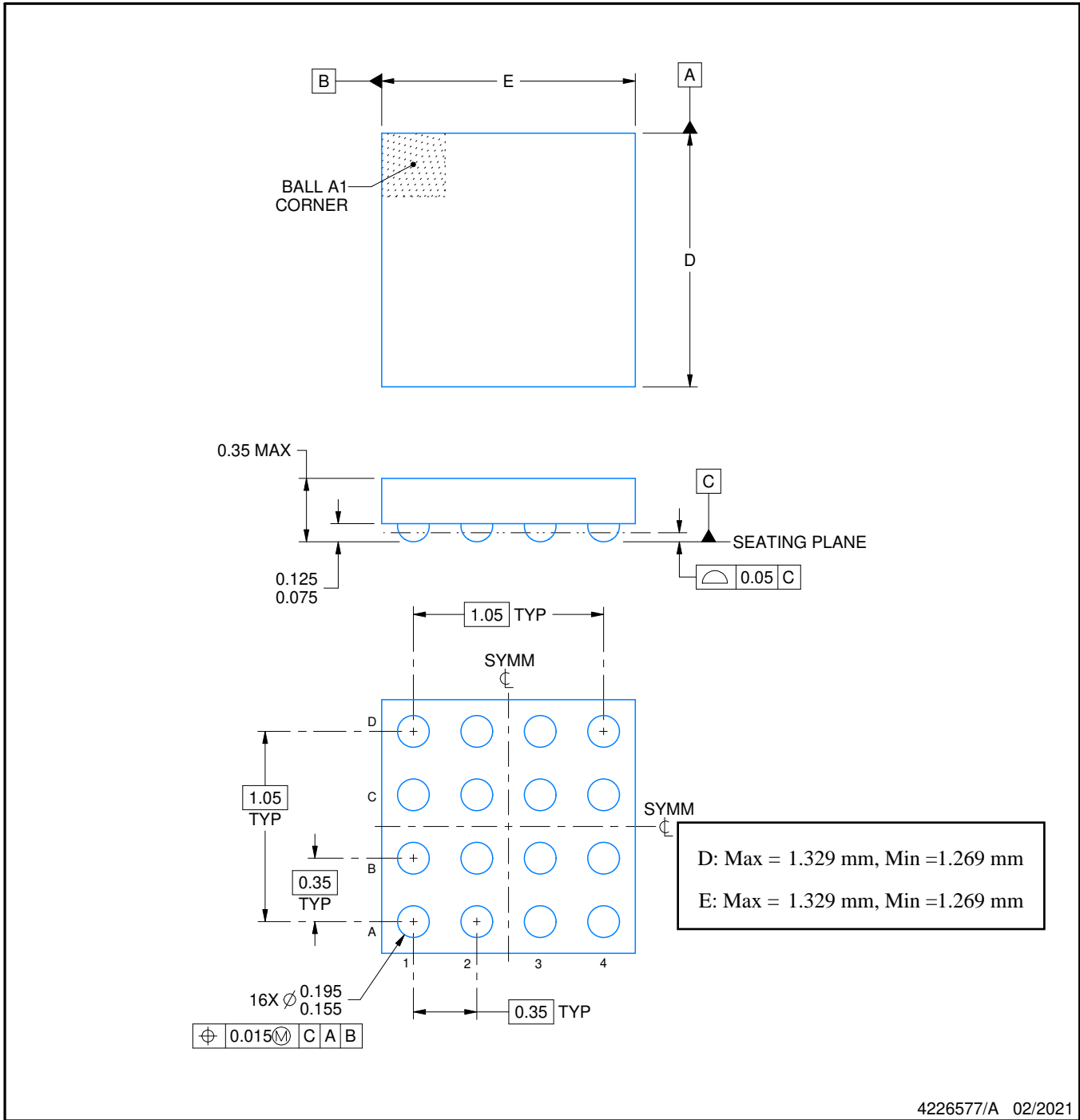
YCJ0016



PACKAGE OUTLINE

DSBGA - 0.35 mm max height

DIE SIZE BALL GRID ARRAY



NOTES:

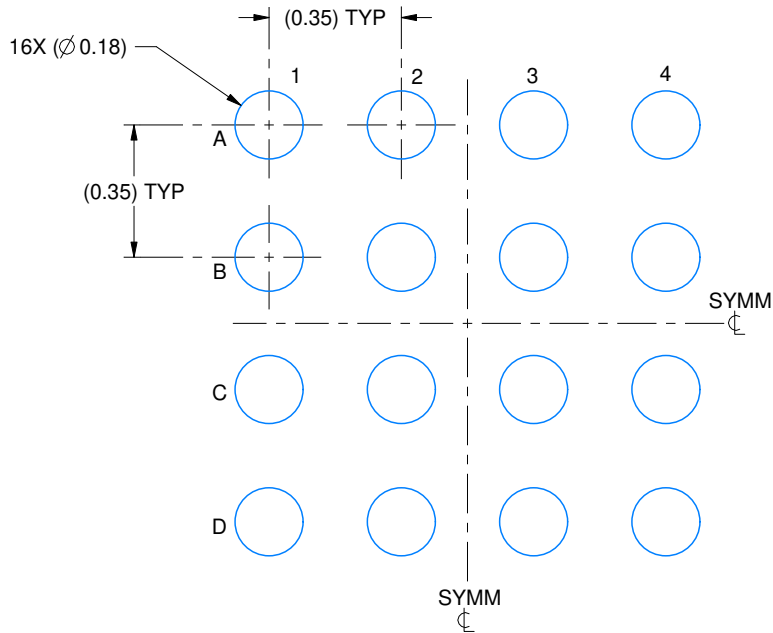
1. All linear dimensions are in millimeters. Any dimensions in parenthesis are for reference only. Dimensioning and tolerancing per ASME Y14.5M.
2. This drawing is subject to change without notice.

# EXAMPLE BOARD LAYOUT

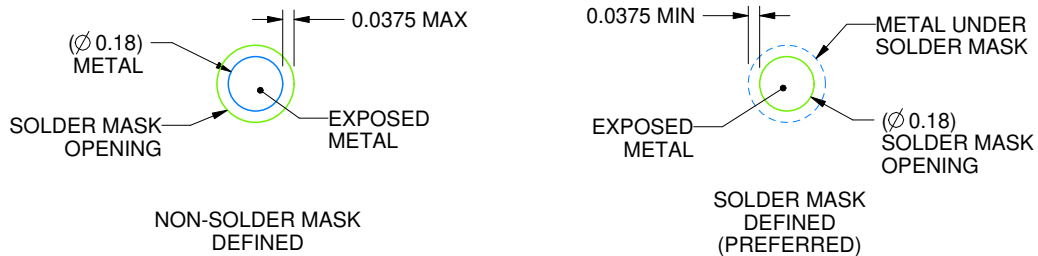
YCJ0016

DSBGA - 0.35 mm max height

DIE SIZE BALL GRID ARRAY



LAND PATTERN EXAMPLE  
EXPOSED METAL SHOWN  
SCALE: 50X



SOLDER MASK DETAILS  
NOT TO SCALE

4226577/A 02/2021

NOTES: (continued)

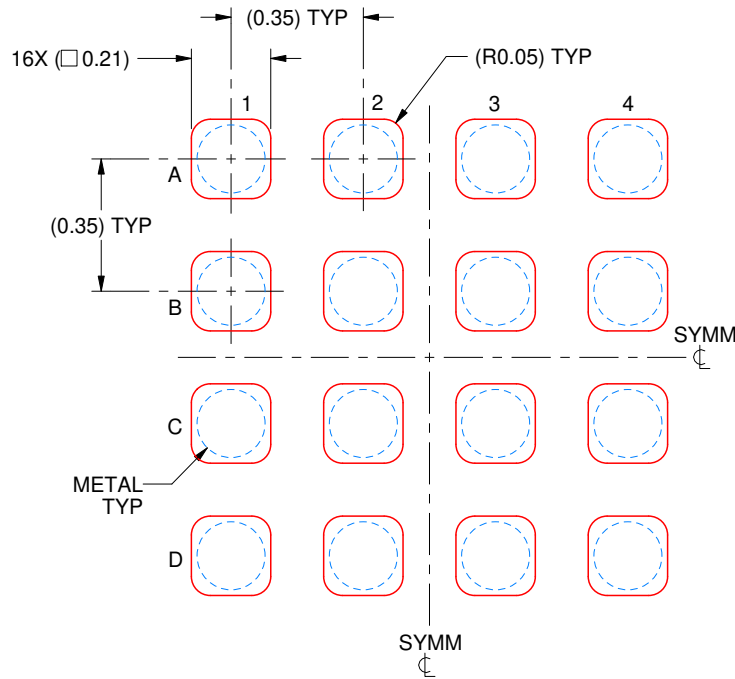
- Final dimensions may vary due to manufacturing tolerance considerations and also routing constraints. See Texas Instruments Literature No. SNVA009 ([www.ti.com/lit/snva009](http://www.ti.com/lit/snva009)).

# EXAMPLE STENCIL DESIGN

YCJ0016

DSBGA - 0.35 mm max height

DIE SIZE BALL GRID ARRAY



SOLDER PASTE EXAMPLE  
BASED ON 0.075 mm THICK STENCIL  
SCALE: 50X

4226577/A 02/2021

NOTES: (continued)

4. Laser cutting apertures with trapezoidal walls and rounded corners may offer better paste release.

## IMPORTANT NOTICE AND DISCLAIMER

TI PROVIDES TECHNICAL AND RELIABILITY DATA (INCLUDING DATA SHEETS), DESIGN RESOURCES (INCLUDING REFERENCE DESIGNS), APPLICATION OR OTHER DESIGN ADVICE, WEB TOOLS, SAFETY INFORMATION, AND OTHER RESOURCES "AS IS" AND WITH ALL FAULTS, AND DISCLAIMS ALL WARRANTIES, EXPRESS AND IMPLIED, INCLUDING WITHOUT LIMITATION ANY IMPLIED WARRANTIES OF MERCHANTABILITY, FITNESS FOR A PARTICULAR PURPOSE OR NON-INFRINGEMENT OF THIRD PARTY INTELLECTUAL PROPERTY RIGHTS.

These resources are intended for skilled developers designing with TI products. You are solely responsible for (1) selecting the appropriate TI products for your application, (2) designing, validating and testing your application, and (3) ensuring your application meets applicable standards, and any other safety, security, regulatory or other requirements.

These resources are subject to change without notice. TI grants you permission to use these resources only for development of an application that uses the TI products described in the resource. Other reproduction and display of these resources is prohibited. No license is granted to any other TI intellectual property right or to any third party intellectual property right. TI disclaims responsibility for, and you will fully indemnify TI and its representatives against, any claims, damages, costs, losses, and liabilities arising out of your use of these resources.

TI's products are provided subject to [TI's Terms of Sale](#) or other applicable terms available either on [ti.com](http://ti.com) or provided in conjunction with such TI products. TI's provision of these resources does not expand or otherwise alter TI's applicable warranties or warranty disclaimers for TI products.

TI objects to and rejects any additional or different terms you may have proposed.

Mailing Address: Texas Instruments, Post Office Box 655303, Dallas, Texas 75265  
Copyright © 2022, Texas Instruments Incorporated