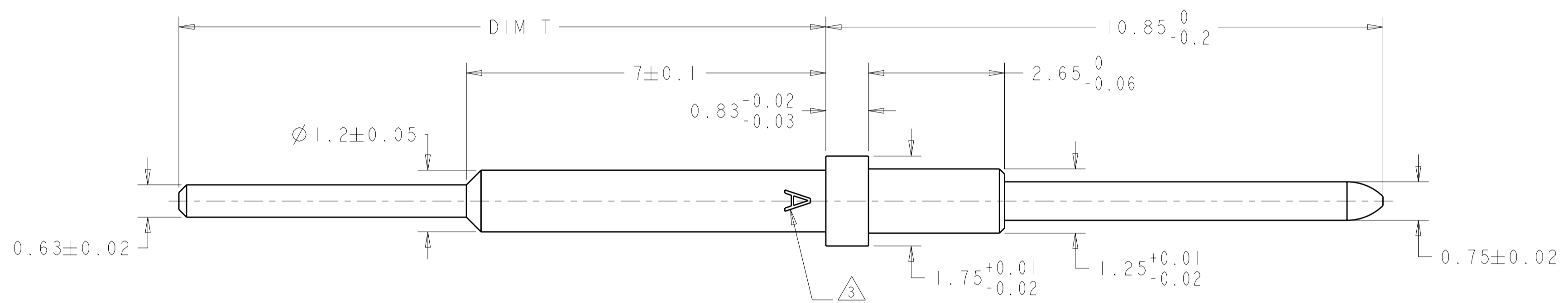


THIS DRAWING IS UNPUBLISHED. RELEASED FOR PUBLICATION
 © COPYRIGHT BY ALL RIGHTS RESERVED.

LOC	DIST	REVISIONS			
P	LTR	DESCRIPTION	DATE	DWN	APVD
-	-	A	RELEASED PER ECO 12-001858	2-2-12	CT MS



- ① MAT'L: COPPER ALLOY
- ② FINISH GOLD PER ASTM B488 OVER NICKEL PER QQ-N-290 ON ENTIRE STOCK
- ③ OPTIONAL MARKINGS: LETTERS "A" OR "S", OR NONE.

4. THIS PRODUCT IS SOLD BY TYCO ELECTRONICS UNDER A LICENSE FROM RADIALL SA.

17.74±0.1	1738709-7
16.0±0.1	1738709-5
14.24±0.1	1738709-3
12.6±0.1	1738709-1
DIM T	PART NO.

THIS DRAWING IS A CONTROLLED DOCUMENT.		DWN BW	03FEB2005	STE TE Connectivity
DIMENSIONS: mm		CHK JPM	03FEB2005	
TOLERANCES UNLESS OTHERWISE SPECIFIED: 0 PLC ± 1 PLC ± 2 PLC ± 3 PLC ± 4 PLC ± ANGLES ± FINISH		APVD JPM	03FEB2005	
MATERIAL		PRODUCT SPEC	-	
		APPLICATION SPEC	-	NAME PIN CONTACT, SIZE 22, SOLDER LEAD, STRAIGHT, GPR
① -		WEIGHT	-	SIZE A200779
② -		CUSTOMER DRAWING	SCALE 15:1	DRAWING NO 1738709
1471-9 (3/11)		SHEET 1 OF 1		RESTRICTED TO -
Pro/ENGINEER DRAWING		REV A		