

6

5

4

3

2

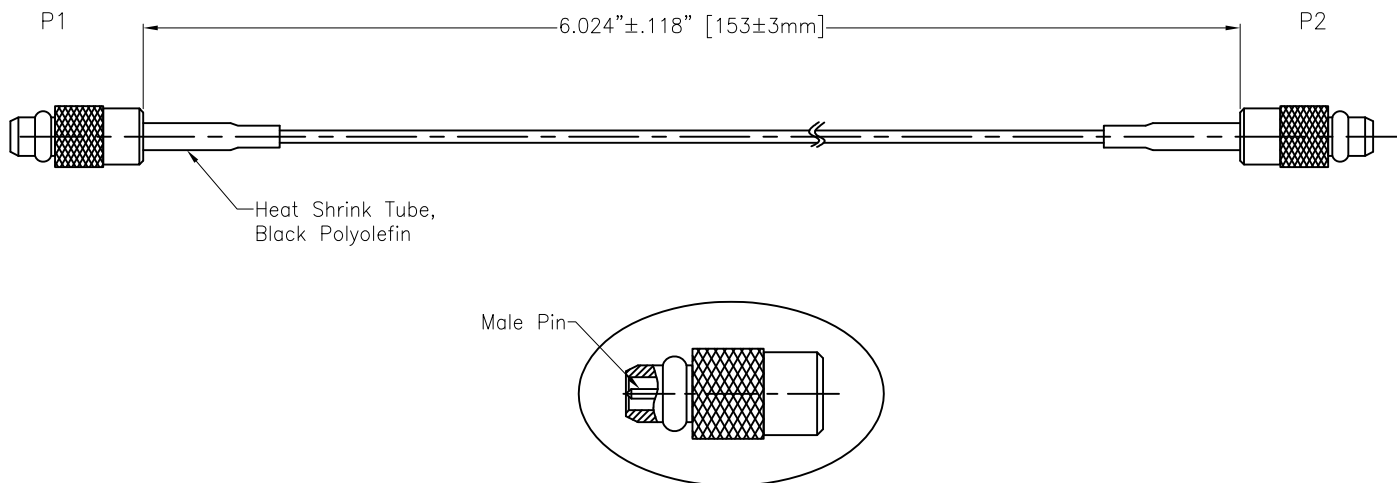
1

Rev	AWO #	Description	Date	Appr
-		RELEASED	9/21/20	

APPROVED: _____

DATE: _____ TITLE: _____

CUSTOM CABLE ASSEMBLIES ARE NON-CANCELLABLE / NON-RETURNABLE



SPECIFICATIONS:

Connector:

P1 = MMCX Plug, Straight, Gold plated

P2 = MMCX Plug, Straight, Gold plated

Cable:

RG-178

Electrical:

Impedance: 50 ohms

Frequency range: DC-6 GHz

Electrical Test:

All Assemblies must be 100% Tested for Shorts, Open, Continuity, and Physical Appearance.

Environmental:

Lead free, RoHS compliant



UNLESS OTHERWISE SPECIFIED
ALL DIMENSIONS ARE INCHES [MM]
TOLERANCES: EXCEPT AS NOTED

INCHES		HOLES	
.X	± .10	Ø.X	± .10
.XX	± .020	Ø.XX	± .015
.XXX	± .015	Ø.XXX	± .010

ADAM TECH
INTERCONNECTS

909 Rahway Avenue,
Union, NJ 07083
Phone: 908-687-5000
Fax: 908-687-5710

APPROVALS		DATE
DRAWN	LH	9/21/20
CHECKED	RC	9/21/20
APPROVED		

TITLE CUSTOM CABLE ASSEMBLY, MMCX PLUG STRAIGHT TO MMCX PLUG STRAIGHT, RG-178		
SIZE X	PART NO. CA-DKCA1-153L3-EPEP	REV. -
REF: S00291T	SCALE: NTS	SHEET 1 OF 1

6

5

4

3

2

1