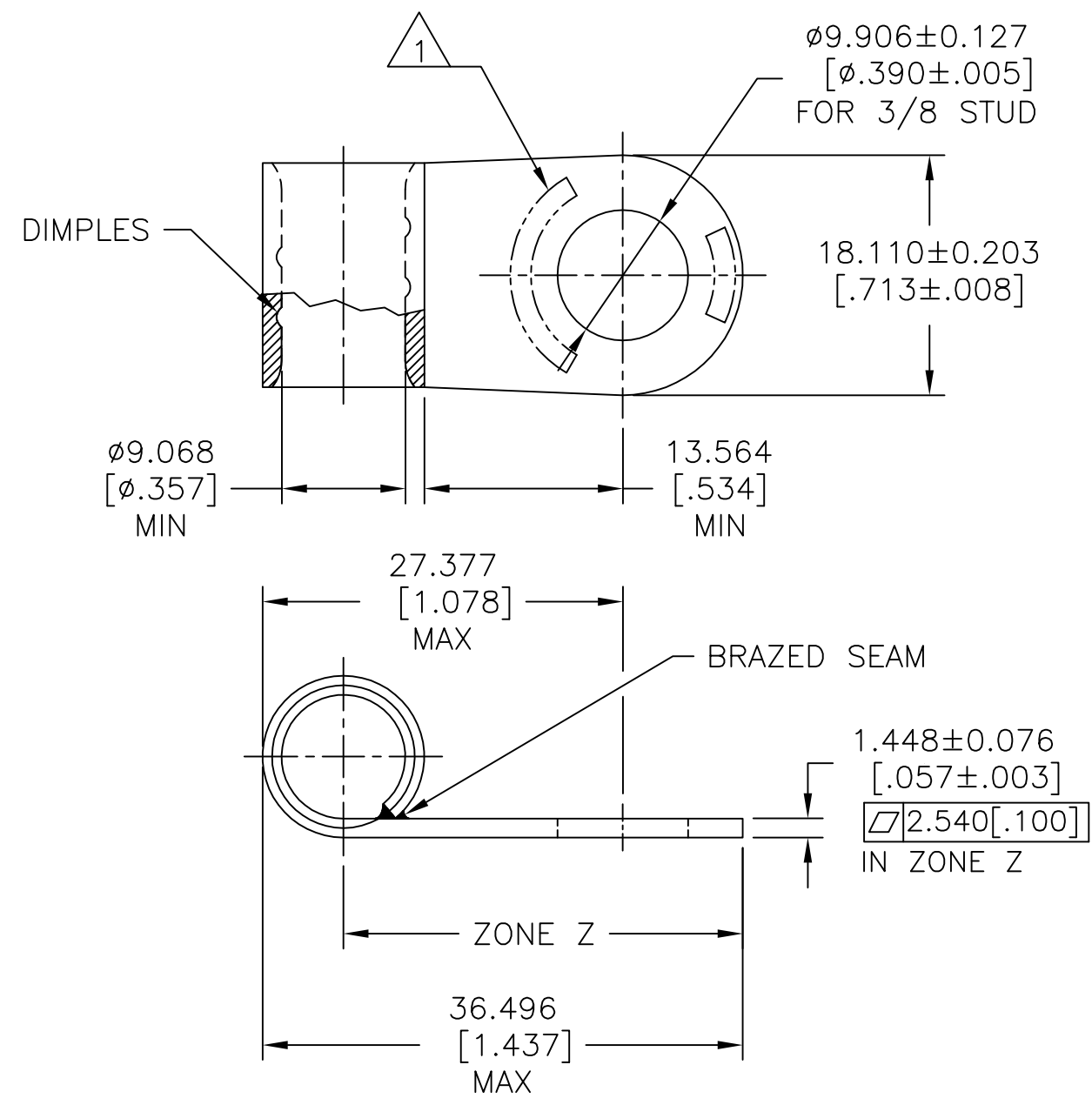


REVISIONS					
P	LTR	DESCRIPTION	DATE	DWN	APVD
	C	REVISED PER 0L20-0220-97	02OCT97	DKS	MJS
	C1	REVISED PER ECO-17-016781	10JAN2018	RS	DR



AMP WIRE RANGE	E13288 Listed
2 AWG SOLID OR STRANDED	2 AWG STRANDED
LR7189 Certified	MILITARY P/N AND CLASS
2 AWG SOLID OR STRANDED	NOT APPLICABLE

STAMP AMP 2W* 60-75 APPROX AS SHOWN.

50	LOOSE PIECE	321253
QTY	PACKAGE TYPE	AMP PART NUMBER

AMP INCORPORATED
CUSTOMER SERVICE SYSTEMS

FOR ADDITIONAL PRODUCT INFORMATION OR COPIES OF DRAWINGS AND TECHNICAL DOCUMENTS
 PRODUCT INFORMATION CENTER
 1-800-522-6752

FOR APPLICATION TOOLING INFORMATION
 TOOLING ASSISTANCE CENTER
 1-800-722-1111

FOR ORDER ENTRY
 1-800-526-5142

RECOMMENDED OPERATING TEMPERATURE:
 170°[338°F] MAX

VOLTAGE RATING:
 NOT APPLICABLE

WIRE CROSS SECTIONAL AREA RANGE:
 26.7-42.4mm² [52,600-83,700] CIR MILS
 SOLID OR STRANDED

THIS DRAWING IS A CONTROLLED DOCUMENT.

DIMENSIONS: mm [INCHES]

TOLERANCES UNLESS OTHERWISE SPECIFIED:

0 PLC	± -
1 PLC	± -
2 PLC	± -
3 PLC	± 0.127[.005]
4 PLC ANGLES	± -

MATERIAL: COPPER PER ASTM B-152 ANNEALED

FINISH: TIN PLATE 0.00254[.000100] MIN THK PER ASTM B-545

DWN DK SCHRUM 02OCT97	TE Connectivity NAME: TERMINAL, RING TONGUE, FLAG, SOLISTRAND™, 2 AWG	SIZE	CAGE CODE	DRAWING NO	RESTRICTED TO	
CHK MJ SPICER 03OCT97		A3	00779	C=321253	-	
APVD JL MECKLEY 03OCT97		WEIGHT	-	CUSTOMER DRAWING		SCALE 2:1
PRODUCT SPEC		UL 486 A-B		SHEET 1 OF 1		REV C1