

HC-D15-HCWS-PL-BK - Protective cover



1346521

<https://www.phoenixcontact.com/pc/products/1346521>

Please be informed that the data shown in this PDF document is generated from our online catalog. Please find the complete data in the user documentation. Our general terms of use for downloads are valid.

Protective cover D15, with single locking latch, protective cover material: PC, height: 19 mm, seal: no



Commercial data

Item number	1346521
Packing unit	1 pc
Minimum order quantity	1 pc
Product key	BF7AZC
GTIN	4063151659837
Weight per piece (including packing)	26.6 g
Weight per piece (excluding packing)	23.1 g
Customs tariff number	85389099
Country of origin	CN

HC-D15-HCWS-PL-BK - Protective cover

1346521

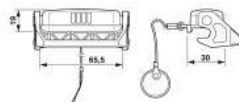
<https://www.phoenixcontact.com/pc/products/1346521>

Technical data

Product properties

Type	D15
Product type	Protective cover
Housing type	Protective cover
Seal present	no

Dimensions

Dimensional drawing	
Width	30 mm
Height	19 mm
Length	65.5 mm
Diameter	40 mm

Material specifications

Material	PC
Flammability rating according to UL 94	V0
Material, protective cover	PC

Environmental and real-life conditions

Ambient conditions

Degree of protection	IP66
Ambient temperature (operation)	-40 °C ... 125 °C
Resistance to UV radiation	yes

Standards and regulations

Resistance to UV radiation	yes
----------------------------	-----

Mounting

Assembly instructions	Double eyelet for mounting on a cable / below screw head Plastic protective cover for short-term protection
-----------------------	--

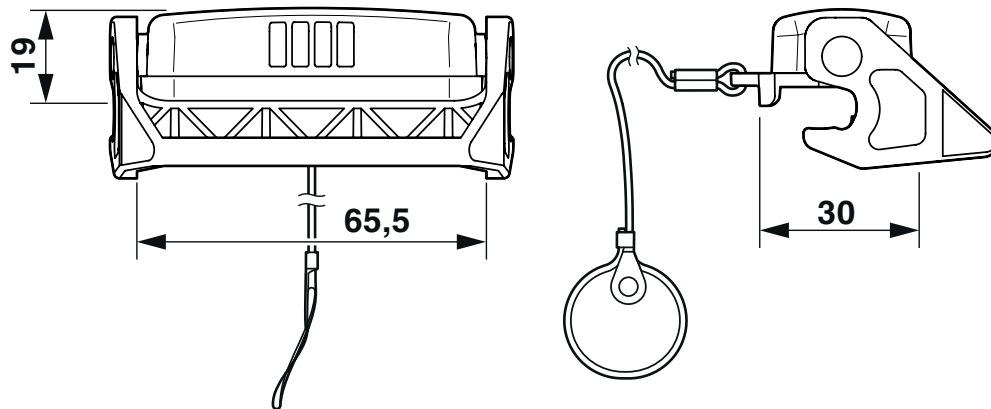
HC-D15-HCWS-PL-BK - Protective cover

1346521

<https://www.phoenixcontact.com/pc/products/1346521>

Drawings

Dimensional drawing



Dimensional drawing

HC-D15-HCWS-PL-BK - Protective cover



1346521

<https://www.phoenixcontact.com/pc/products/1346521>

Approvals

To download certificates, visit the product detail page: <https://www.phoenixcontact.com/pc/products/1346521>



EAC

Approval ID: RU C-DE.BL08.B.00511

DNV

Approval ID: TAE000037S

1346521

<https://www.phoenixcontact.com/pc/products/1346521>

Classifications

ECLASS

ECLASS-11.0	27440208
ECLASS-12.0	27440208
ECLASS-13.0	27440208

ETIM

ETIM 8.0	EC002314
----------	----------

UNSPSC

UNSPSC 21.0	39121400
-------------	----------

HC-D15-HCWS-PL-BK - Protective cover



1346521

<https://www.phoenixcontact.com/pc/products/1346521>

Environmental product compliance

China RoHS	Environmentally friendly use period: unlimited = EFUP-e No hazardous substances above threshold values
------------	---

Phoenix Contact 2023 © - all rights reserved
<https://www.phoenixcontact.com>

PHOENIX CONTACT GmbH & Co. KG
Flachmarktstraße 8
D-32825 Blomberg
+49 (0) 5235-3 00
info@phoenixcontact.com