

PART
NAME

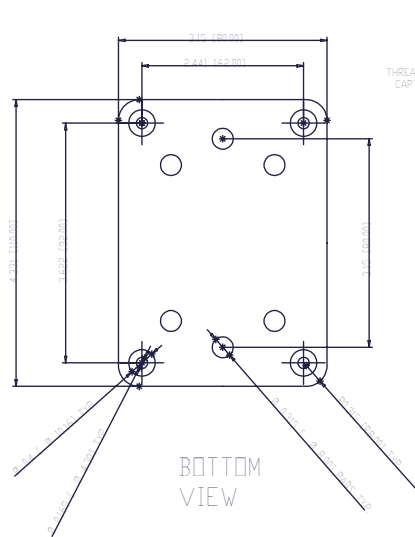
PUSH BUTTON BOX - 1 HOLE (22MM)

PART
No.

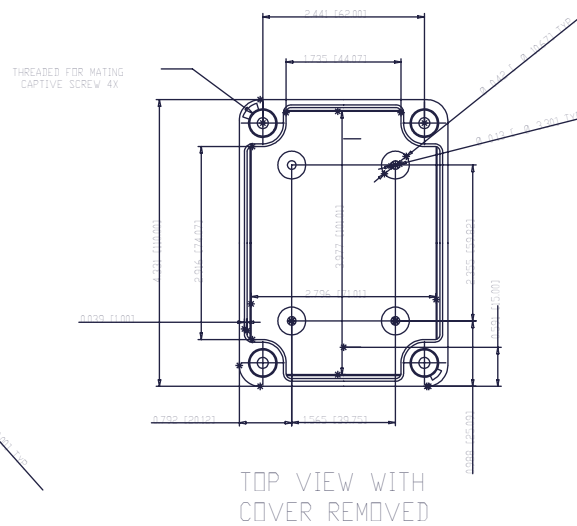
PBB-11815-1

REVISION
DATE

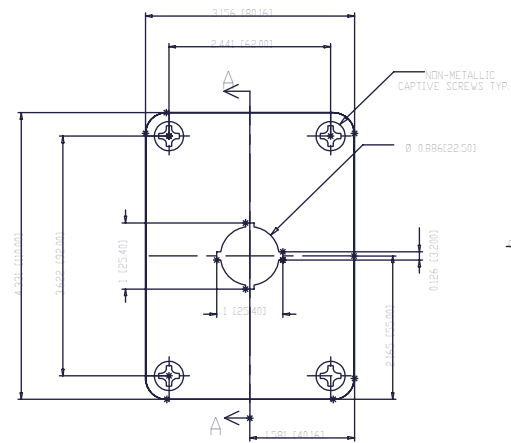
12-3-15



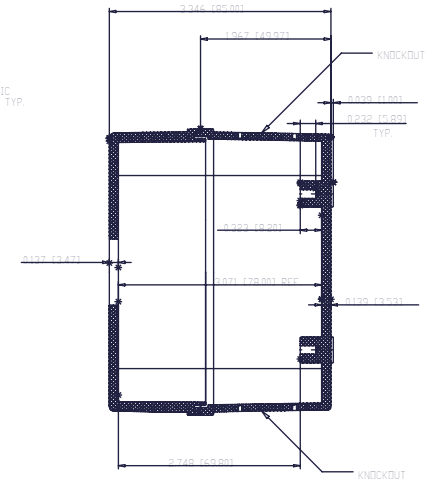
BOTTOM
VIEW



TOP VIEW WITH
COVER REMOVED



TOP VIEW
WITH COVER

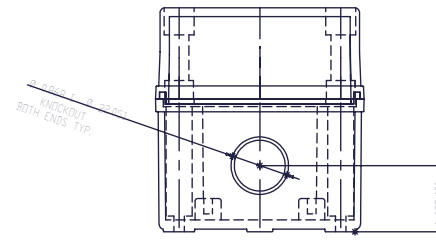


SECTION
A-A

NOTES:

- 1- MATERIAL: BODY- GRAY POLYCARBONATE, 10% GLASS FIBER FILLED
COVER - GRAY POLYCARBONATE
- 2- IP-67 TUV AND UL-94V0 RATING
- 3- UL508/NEMA TYPE 4X AND TYPE 6 LISTED #E343339
- 4- CONTINUOUS GASKET IN COVER
- 5- FOUR NON-METALLIC CAPTIVE SCREWS PROVIDED
- 6- ALL OTHER DIMENSIONS HAVE +/- .039[.1mm] TOLERANCE
- 7- DIMENSIONS ARE INCH[MM]

OPTIONAL ACCESSORIES
MOUNTING BRACKET KIT (STAINLESS STEEL) - #NBX-10922
MOUNTING BRACKET KIT (PLASTIC) - #PIX-4117



FRONT VIEW