

504 to 1512W Power Factor Correction Modules

<https://product.tdk.com/en/power/pf-a>
www.emea.lambda.tdk.com/pf



The PF-A power factor correction (PFC) modules convert AC in to a regulated 360Vdc for use in distributed power systems utilizing isolated high voltage DC-DC converters, or loads requiring a high voltage source. The PF500A-360 is rated at 504W for a 115Vac and 756W for 230Vac inputs and the PF1000A-360 1008W for 115Vac and 1512W for 230Vac inputs. The modules have a 0.95 power factor and efficiencies of up to 95%. The baseplates can be conduction cooled via a cold-plate or using an optional heatsink and external airflow. Modules can be connected in parallel for additional power. The remote on/off function can be used to enable DC-DC converters via the ENA (DC good) signal. An auxiliary output and inverter good signal are also provided for control and monitoring.

Features	Benefits
<ul style="list-style-type: none"> • Suitable For Developing Custom Supplies • Current Share Function • Up to 95% Efficient • Up to 100°C Rated Baseplate Temperature • Conduction Cooled Via Baseplate 	<ul style="list-style-type: none"> • Module Solution Reduces Risk, Time and Cost • Can be Connected in Parallel for Higher Power or Redundancy • Less Waste Heat to Manage and Reduced AC Power Consumption • Suitable for Rugged Environments • For Use in Convection Cooled or Sealed Enclosures

Model Selector					
Model	Output Voltage (V)	Maximum Current (A) 85-265Vac Input	Maximum Power (W) 85-265Vac Input	Maximum Current (A) 170-265Vac Input	Maximum Power (W) 170-265Vac Input
PF500A-360	360	1.4	504	2.1	756
PF1000A-360	360	2.8	1008	4.2	1512

Related Products		
Type	Part Number(s)	Size (mm) / Description
Heatsink	HAA-083	86 x 22 x 83
Heatsink	HAA-146	86 x 22 x 146
Newer generation product series	PF1500B-360	1500W PFC module
DC-DC Converters	PH-A series	50 to 1200W, 200-425V input

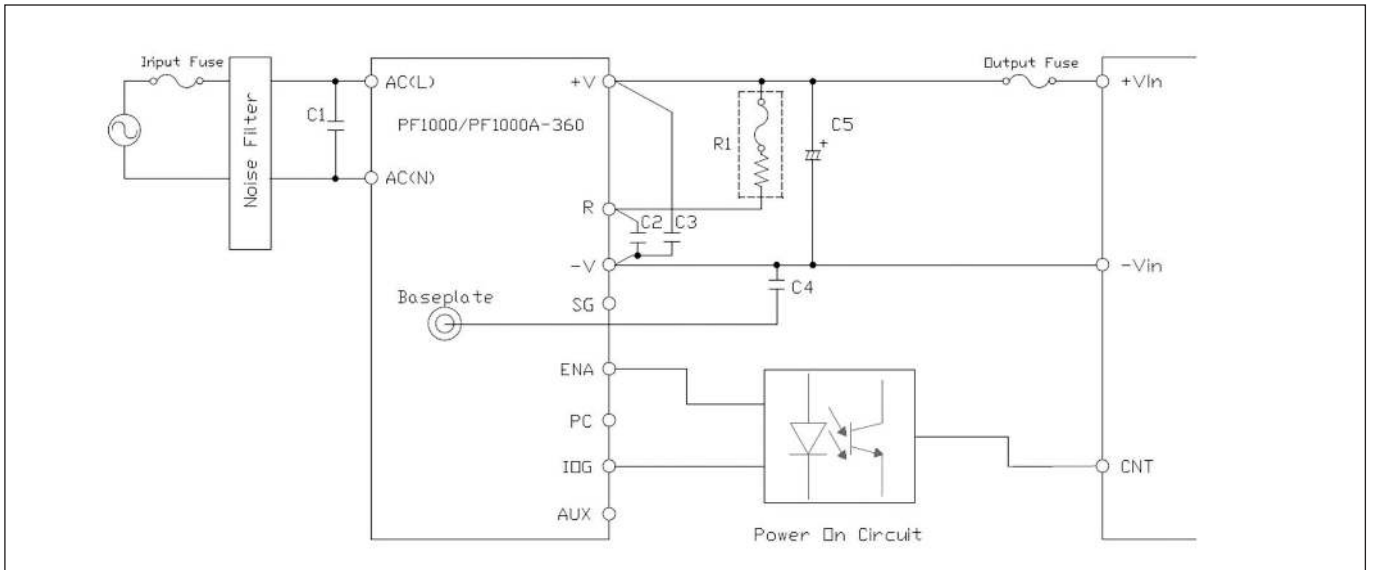
Specifications		
Model	PF500A-360	PF1000A-360
Input		
Input Voltage Range (Operating)	Vac	85 - 265V
Nominal Input Voltage Range	Vac	100 - 240 (Note: Safety certified for 90 - 264Vac only)
Input Frequency	Hz	47 - 63
Input Current (100/200Vac)	A	5.6 / 4 11.2 / 8
Inrush Current (100/230Vac typ) (Cold Start)	A	30 / 60 - See Instruction Manual
Leakage Current	-	External circuitry - See Instruction Manual
Power Factor	-	>0.95
Harmonic Compliance	-	Meets IEC61000-3-2
Hold Up Time	-	External circuitry - See Instruction Manual
Efficiency (100 / 200Vac)	%	90 / 94
Conducted & Radiated EMI	-	External circuitry - See Evaluation Data on website for EN55032 class A/B circuitry
Immunity	-	See website for Immunity report
Safety Certifications and Markings	-	IEC/UL/CSA/EN62368-1, CE Mark and UKCA Mark
Output		
Output Voltage Tolerance	%	±2
Output Voltage Adjustment	-	Fixed output voltage
Switching Frequency	kHz	140
Line Regulation	V	5 (typical)
Load Regulation	V	10
External Load Capacitance (see manual)	uF	120 - 1200 240 - 2000
Ripple & Noise (Peak to Peak)	V	20
Temperature Coefficient	%/°C	0.02
Minimum Load	-	No minimum load required
Overcurrent Protection	-	External fuse (See instruction manual)
Overvoltage Protection	V	390 - 420
Overtemperature Protection	°C	85 - 115
Remote Sense	-	No
Power ON (ENA Signal)	-	Open collector, low when output voltage is >350V
IOG (Inverter Operation Good)	-	Opto-isolated signal, low when inverter is good
Auxiliary Voltage	V / mA	12 - 20V 10mA
Indicators	-	None
Parallel Operation	-	Up to 5 modules
Environmental		
Operating Temperature	°C	-20 to +85 (Baseplate)
Storage Temperature	°C	-40 to +85
Humidity (non condensing)	%RH	30 - 95 Operating, 10 - 95 Storage
Cooling	-	Conduction
Altitude	m	3,000
Withstand Voltage (For 1 minute)	Vac	Terminal pins to baseplate 3,000. (Input is not isolated from the output)
Isolation Resistance	MΩ	>100 at 25°C, 70%RH & 500Vdc
Vibration (Non-operating)	-	10-55Hz (Sweep for 1min.) Amplitude 0.825mm constant (maximum 49m/s ²) X, Y, Z 1 hour each
Shock (In Package)	-	Less than 196.1m/s ²
Other		
Weight (Typ)	g	160 250
Size (LxWxH)	mm	86 x 83 x 12.7 86 x 146 x 12.7
Size (LxWxH)	Inches	3.39 x 3.27 x 0.5 3.39 x 5.75 x 0.5
MTBF*	Hours	MIL-STD-217: 493,124 Telcordia TR-332 Issue 5): 331,169
Warranty	Years	2

Notes

See website for detailed specifications, test methods and installation manual

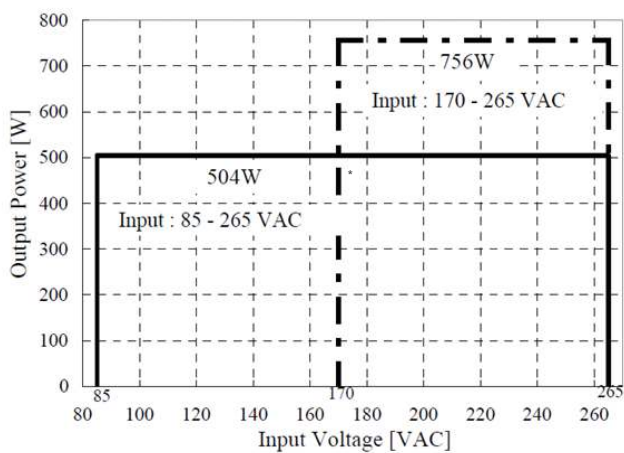
*PF500A; Ground fixed. PF1000A; 100Vac 100% Load, 85°C baseplate, full load, 230Vac input

Basic Connection



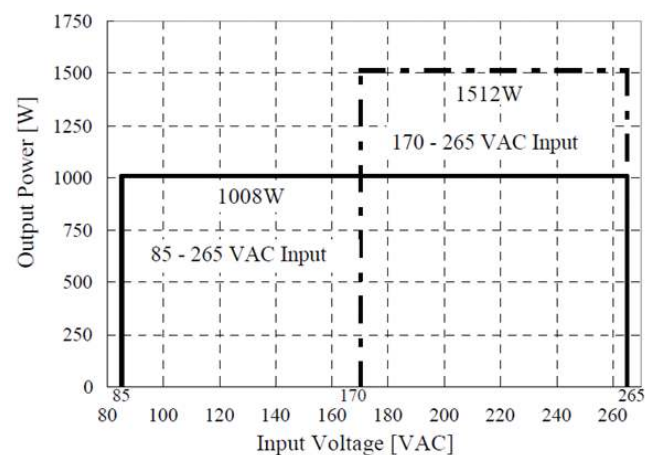
PF500A-360 Derating Curve

Input Voltage vs. Output Power (85°C baseplate)

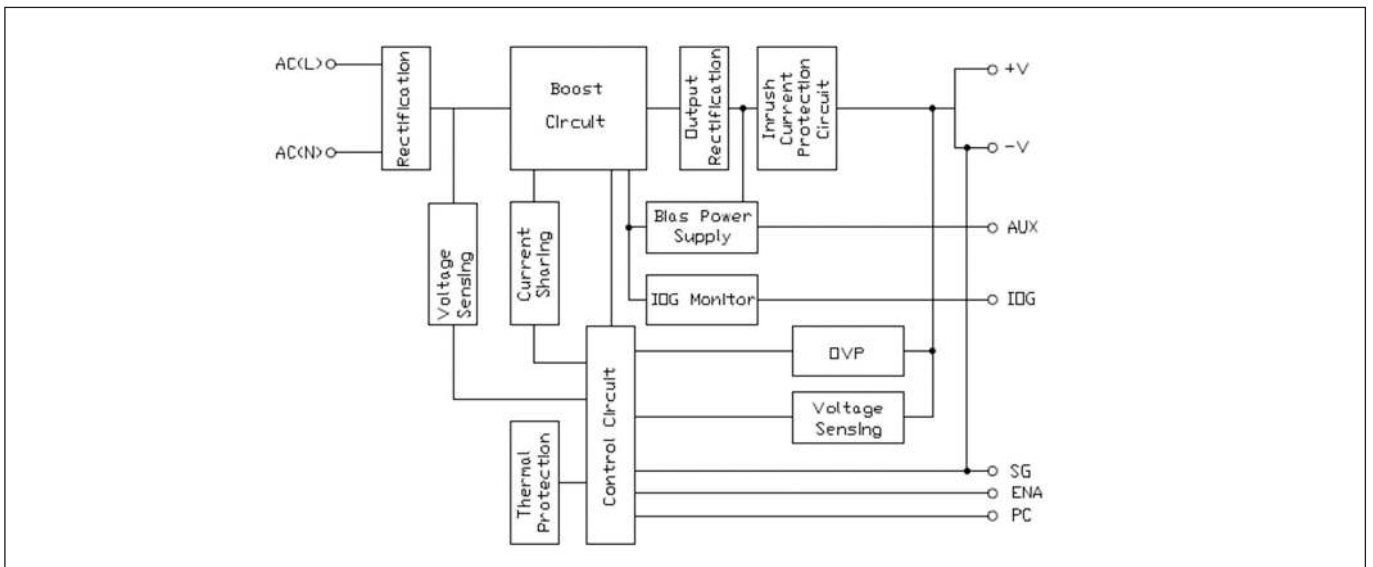


PF1000A-360 Derating Curve

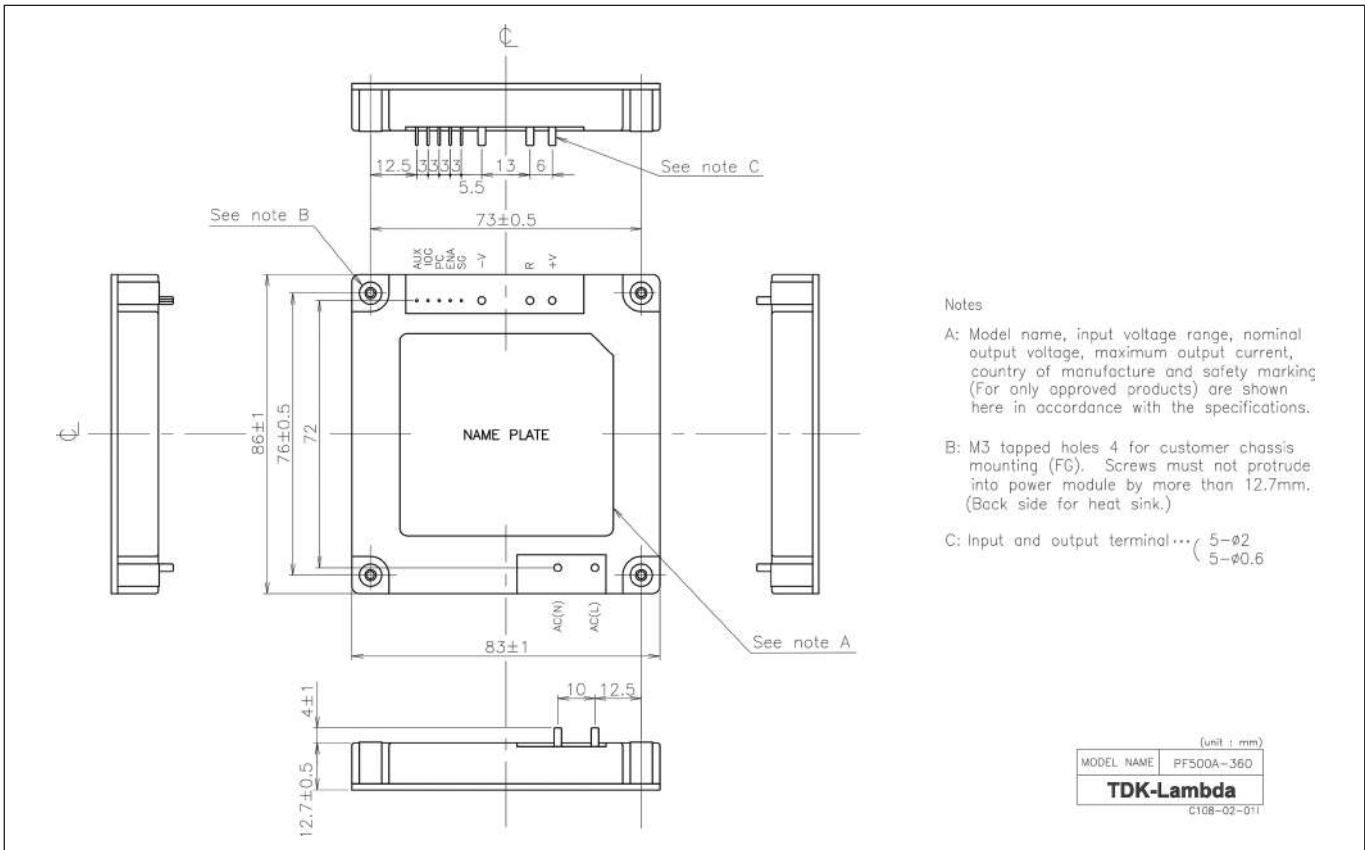
Input Voltage vs. Output Power (85°C baseplate)



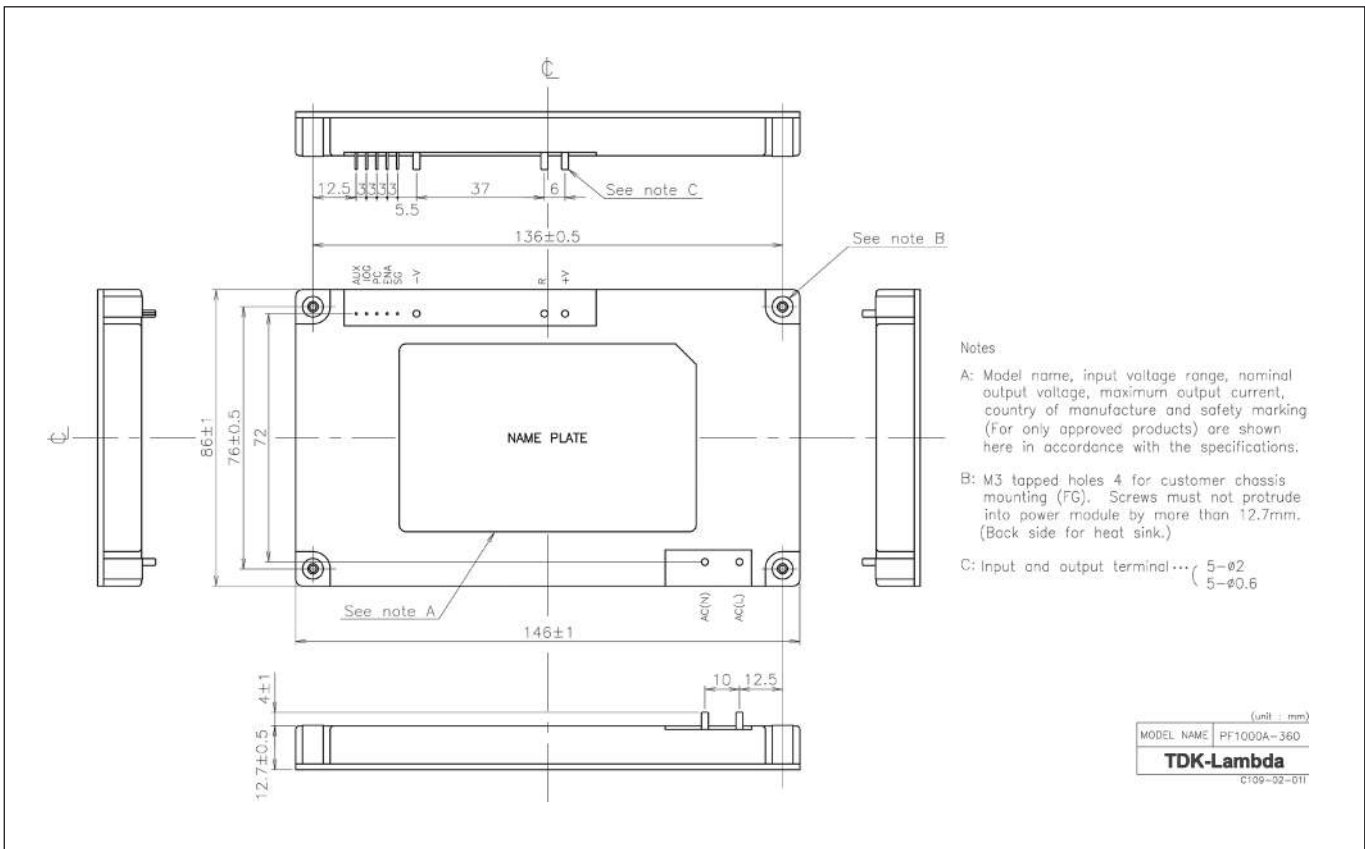
Block Diagram



PF500A Outline Drawing & Pin Out



PF1000A Outline Drawing & Pin Out





TDK-Lambda France SAS

Tel: +33 1 60 12 71 65
 tlf.fr.powersolutions@tdk.com
 www.emea.lambda.tdk.com/fr



Italy Sales Office

Tel: +39 02 61 29 38 63
 tlf.it.powersolutions@tdk.com
 www.emea.lambda.tdk.com/it



Netherlands

tlf.nl.powersolutions@tdk.com
 www.emea.lambda.tdk.com/nl



TDK-Lambda Germany GmbH

Tel: +49 7841 666 0
 tlq.powersolutions@tdk.com
 www.emea.lambda.tdk.com/de



Austria Sales Office

Tel: +43 2256 655 84
 tlq.at.powersolutions@tdk.com
 www.emea.lambda.tdk.com/at



Switzerland Sales Office

Tel: +41 44 850 53 53
 tlq.ch.powersolutions@tdk.com
 www.emea.lambda.tdk.com/ch



Nordic Sales Office

Tel: +45 8853 8086
 tlq.dk.powersolutions@tdk.com
 www.emea.lambda.tdk.com/dk



TDK-Lambda UK Ltd.

Tel: +44 (0) 12 71 85 66 66
 tlu.powersolutions@tdk.com
 www.emea.lambda.tdk.com/uk



TDK-Lambda Ltd.

Tel: +9 723 902 4333
 tli.powersolutions@tdk.com
 www.emea.lambda.tdk.com/il-en



TDK-Lambda Americas

Tel: +1 800-LAMBDA-4 or 1-800-526-2324
 tla.powersolutions@tdk.com
 www.us.lambda.tdk.com



TDK Electronics do Brasil Ltda

Tel: +55 11 3289-9599
 sales.br@tdk-electronics.tdk.com
 www.tdk-electronics.tdk.com/en



TDK-Lambda Corporation

Tel: +81-3-6778-1113
 www.jp.lambda.tdk.com



TDK-Lambda (China) Electronics Co. Ltd.

Tel: +86 21 6485-0777
 tlc.powersolutions@tdk.com
 www.lambda.tdk.com.cn



TDK-Lambda Singapore Pte Ltd.

Tel: +65 6251 7211
 tfs.marketing@tdk.com
 www.sg.lambda.tdk.com



TDK India Private Limited, Power Supply Division

Tel: +91 80 4039-0660
 mathew.philip@tdk.com
 www.sg.lambda.tdk.com

