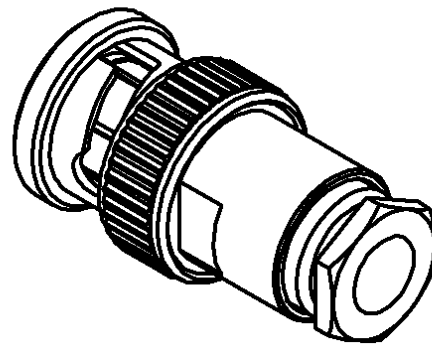
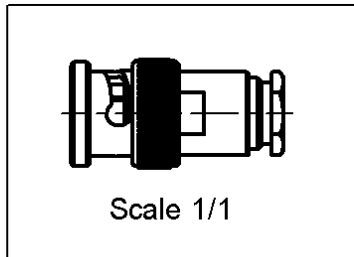
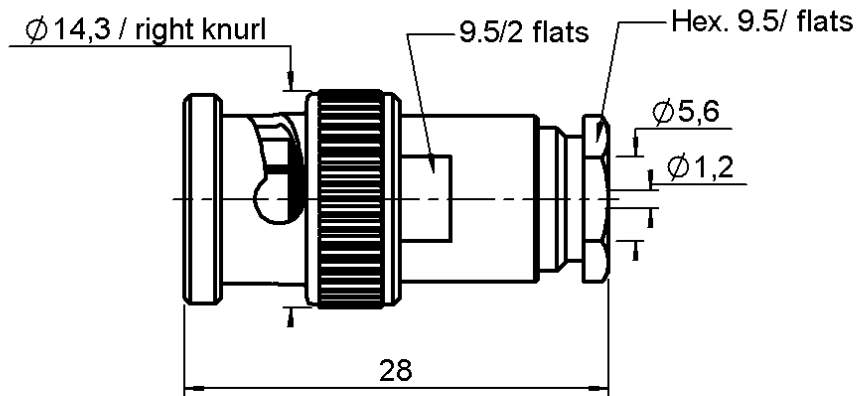


STRAIGHT PLUG CLAMP TYPE

CABLE 5/50 S - PACK 100

R141.007.161

Series : **BNC-COM**



All dimensions are in mm.



| COMPONENTS | MATERIALS | PLATINGS (μm) |
|----------------|---------------------|----------------------------|
| BODY | BRASS | NICKEL 2 |
| CENTER CONTACT | BRASS | GOLD 0.2 OVER NICKEL 2 |
| OUTER CONTACT | - | - |
| INSULATOR | WHITE POLYPROPYLENE | |
| GASKET | SILICONE RUBBER | |
| OTHERS PARTS | BRASS | NICKEL 2 |
| - | - | - |
| - | - | - |

Issue : 0309 E

In the effort to improve our products, we reserve the right to make changes judged to be necessary.



STRAIGHT PLUG CLAMP TYPE

CABLE 5/50 S - PACK 100

R141.007.161

Series : **BNC-COM**

PACKAGING

| Standard | Unit | Other |
|------------|-------------------|-------------------|
| 100 | 'W' option | Contact us |

SPECIFICATION

ELECTRICAL CHARACTERISTICS

| | | | |
|---------------------------------|-------------|--------------|--------------------------|
| Impedance | | 50 | Ω |
| Frequency | | 0-1.5 | GHz |
| VSWR | NA + | 0.000 | x F(GHz) Maxi |
| Insertion loss | | 0.115 | \sqrt{F} (GHz) dB Maxi |
| RF leakage | - (| 57 | - F(GHz)) dB Maxi |
| Voltage rating | | 500 | Veff Maxi |
| Dielectric withstanding voltage | | 1500 | Veff mini |
| Insulation resistance | | 5000 | M Ω mini |

CABLE ASSEMBLY

| Stripping | a | b | c | d | e | f |
|-----------|------|------|------|------|------|------|
| mm | 2.50 | 7.00 | 0.00 | 0.00 | 3.00 | 0.00 |

Assembly instruction : **Clamp 03**

Recommended cable(s)
 RG 58
 KX 15
 RG 141

Cable retention
 - pull off **180** N mini
 - torque **NA** N.cm

MECHANICAL CHARACTERISTICS

| | | |
|----------------------------|-----------|-----------|
| Center contact retention | | |
| Axial force – Mating end | NA | N mini |
| Axial force – Opposite end | NA | N mini |
| Torque | NA | N.cm mini |

TOOLING

| Part Number | Description | Hexagon |
|-------------|-------------|---------|
| . | . | . |

| | | |
|--------------------|--------------|------|
| Recommended torque | | |
| Mating | NA | N.cm |
| Panel nut | NA | N.cm |
| Clamp nut | 150 | N.cm |
| A/F clamp nut | 9.500 | mm |

| | | |
|-------------|---------------|-------------|
| Mating life | 100 | Cycles mini |
| Weight | 12.500 | g |

OTHERS CHARACTERISTICS

-

ENVIRONMENTAL

| | | |
|-----------------------|----------------|--------------|
| Operating temperature | -35/+70 | $^{\circ}$ C |
| Hermetic seal | NA | Atm.cm3/s |
| Panel leakage | NA | |

Issue : 0309 E

In the effort to improve our products, we reserve the right to make changes judged to be necessary.

