

NOTES:

1.MATERIALS:

1-1.HOUSING: SEE TABLE ,GLASS FIBER FILLED UL94V-0, COLOR: SEE TABLE.

1-2.CONTACT: SEE TABLE

2.PLATING:

2-1.CONTACT AREA: GOLD, THICKNESS : SEE TABLE .

2-2.SOLDER TAIL: 100 MICROINCH MIN. TIN PLATING.

2-3.UNDER PLATING: NICKEL PLATING OVERALL.

3.DATE CODE: YY MM DD.

4.PRODUCT SPECIFICATION REFER TO PS-87715-200.

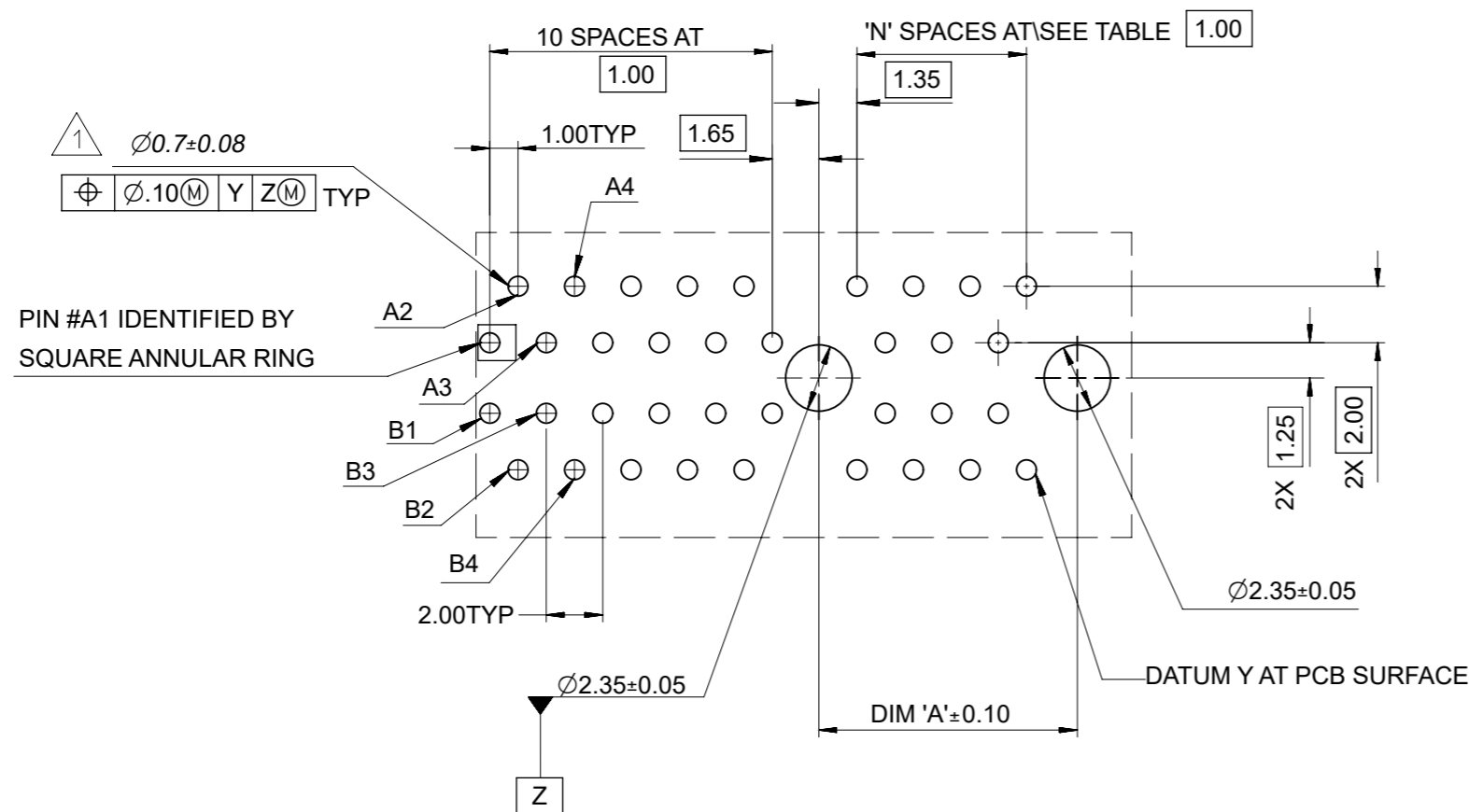
5.TEST SUMMARY:REFER TO TS-87715-207.

| CONNECTOR LINK WIDTH | # POS REF | N | DIM "A" | DIM "B" | DIM "C" |
|----------------------|-----------|----|---------|---------|---------|
| X1 | 36 | 6 | 7.65 | 25.00 | 9.15 |
| X16 | 164 | 70 | 71.65 | 89.00 | 73.15 |

| PCB THK (REF) | DIM "D" |
|---------------|---------|
| 1.58 | 2.54 |
| 2.36 | 3.00 |

THIS DRAWING CONTAINS INFORMATION THAT IS PROPRIETARY TO MOLEX ELECTRONIC TECHNOLOGIES, LLC AND SHOULD NOT BE USED WITHOUT WRITTEN PERMISSION

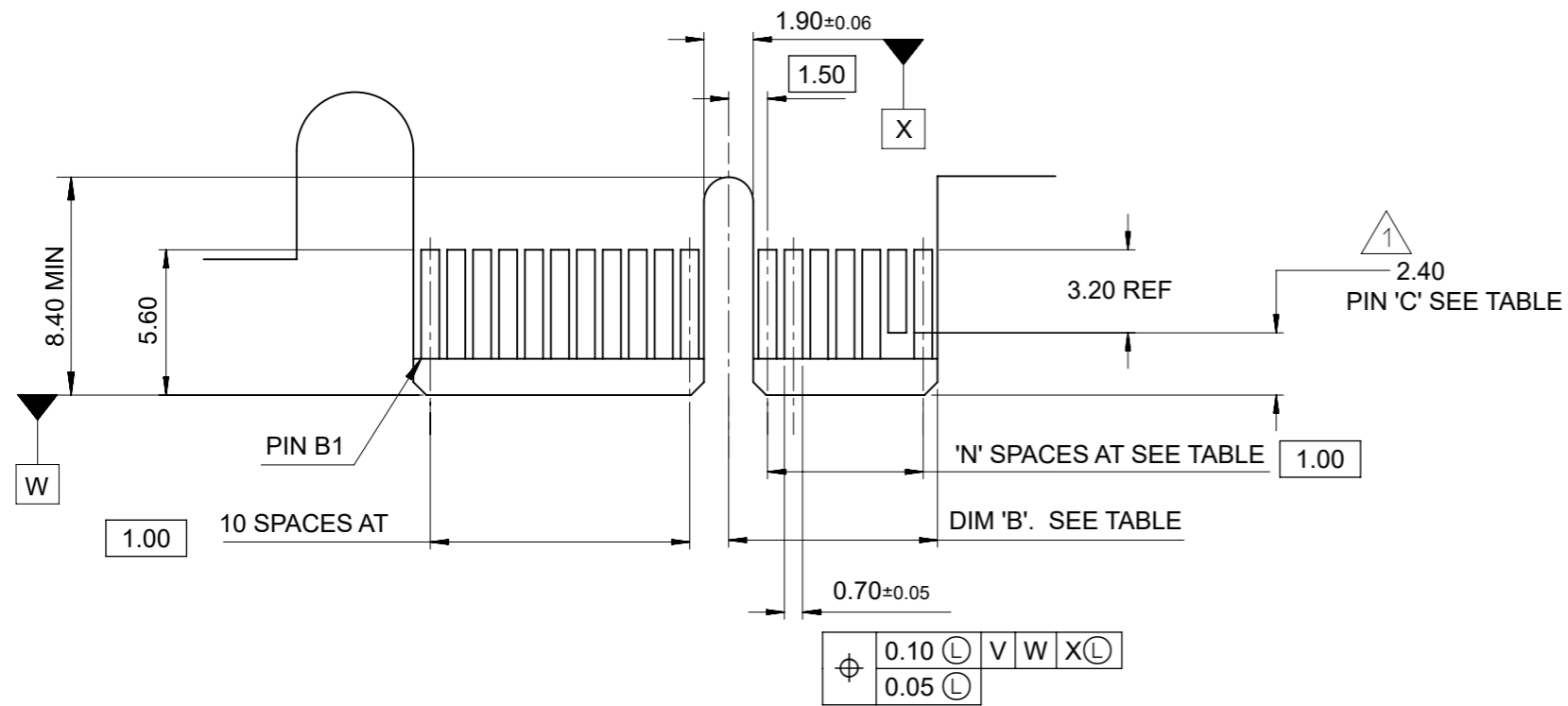
| | | | | | |
|--|------------------------|--|--------------------------|-----------------|----------------|
| DIMENSION UNITS mm | SCALE NTS | CURRENT REV DESC: OBSOLETE PART NUMBERS AS PER PCN 508518 | molex | | |
| GENERAL TOLERANCES (UNLESS SPECIFIED) | | EC NO: 671087 | | | |
| 4 PLACES ± | ± | DRWN: RPRABHUM | 2021/06/07 | | |
| 3 PLACES ± | ± | CHK'D: GGA | 2021/08/06 | | |
| 2 PLACES ± | 0.25 ± | APPR: GGA | 2021/08/06 | | |
| 1 PLACE ± | 0.25 ± | INITIAL REVISION: | PRODUCT CUSTOMER DRAWING | | |
| 0 PLACES ± | ± | DRWN: DAVID HU | DOCUMENT NUMBER | | |
| ANGULAR TOL ± 3.0° | | APPR: JENNY CHEN | SD-87715-901 | | |
| DRAFT WHERE APPLICABLE MUST REMAIN WITHIN DIMENSIONS | THIRD ANGLE PROJECTION | DRAWING | SERIES | MATERIAL NUMBER | CUSTOMER |
| | | A3-SIZE | 87715 | SEE TABLE | GENERAL MARKET |
| | | | | | SHEET NUMBER |
| | | | | | 1 OF 4 |



△ THE HORIZONTAL AXIS FOR THE HOLE PATTERN IS ESTABLISHED BY A LINE THROUGH THE CENTER OF THE TWO $\varnothing 2.35$ HOLES. THE VERTICAL AXIS IS 90° TO THE HORIZONTAL AXIS. THROUGH THE CENTER OF DATUM Z

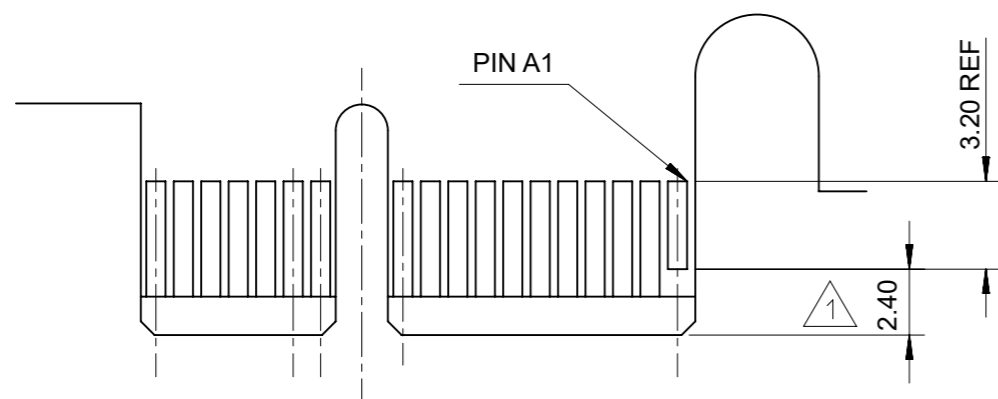
| CONNECTOR LINK WIDTH | # POS REF | N | DIM 'A' |
|----------------------|-----------|----|---------|
| X1 | 36 | 6 | 9.15 |
| X16 | 164 | 70 | 73.15 |

| | | | | | | | | | |
|---|--|-------|--|---|--|-----------------|--|---|--|
| THIS DRAWING CONTAINS INFORMATION THAT IS PROPRIETARY TO MOLEX ELECTRONIC TECHNOLOGIES, LLC AND SHOULD NOT BE USED WITHOUT WRITTEN PERMISSION | | | | | | | | | |
| DIMENSION UNITS | | SCALE | | CURRENT REV DESC: OBSOLETE PART NUMBERS AS PER PCN 508518 | | | | | |
| mm | | NTS | | | | | | | |
| GENERAL TOLERANCES (UNLESS SPECIFIED) | | | | EC NO: 671087 | | PCI EXPRESS | | EDGE CARD CONNECTOR (LEAD FREE VERSION) | |
| | | | | DRWN: RPRABHUM | | 2021/06/07 | | | |
| | | | | CHK'D: GGA | | 2021/08/06 | | | |
| | | | | APPR: GGA | | 2021/08/06 | | PRODUCT CUSTOMER DRAWING | |
| | | | | INITIAL REVISION: | | DOCUMENT NUMBER | | DOC TYPE DOC PART REVISION | |
| | | | | DRWN: DAVID HU | | SD-87715-901 | | PSD 001 G | |
| | | | | APPR: JENNY CHEN | | 2007/05/14 | | | |
| DRAFT WHERE APPLICABLE MUST REMAIN WITHIN DIMENSIONS | | | | THIRD ANGLE PROJECTION | | DRAWING | | SHEET NUMBER | |
| | | | | | | A3-SIZE | | 2 OF 4 | |



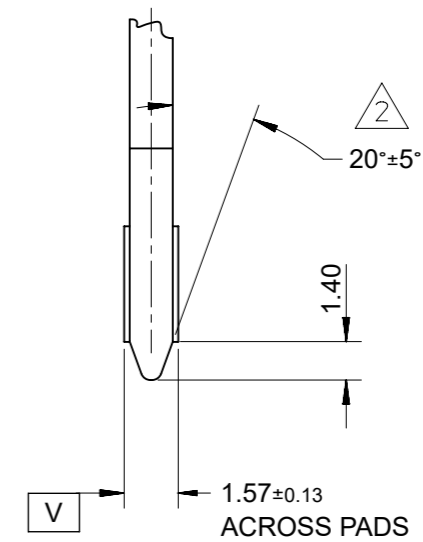
← I/O PANEL DIRECTION

PRIMARY (COMPONENT) SIDE



I/O PANEL DIRECTION →

SECONDARY (SOLDER) SIDE



1 NO TIE BAR PERMITTED FROM CARD EDGE TO LEADING EDGE OF PAD FOR PINS A1 AND "C".

2 CHAMFER EDGES MUST BE FREE OF CUTTING BURRS.


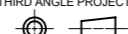
3 TOLERANCE: .XX±.13

| CONNECTOR LINK WIDTH | # POS REF | N | DIM 'B' | 'C' 1 |
|----------------------|-----------|----|---------|----------------------|
| X1 | 36 | 6 | 8.15 | B17 |
| X16 | 164 | 70 | 72.15 | B17, B31 B48, B81 |

| | | | | | | | | | |
|---|--|-------|--|---|--|----------------|--|---|--|
| THIS DRAWING CONTAINS INFORMATION THAT IS PROPRIETARY TO MOLEX ELECTRONIC TECHNOLOGIES, LLC AND SHOULD NOT BE USED WITHOUT WRITTEN PERMISSION | | | | | | | | | |
| DIMENSION UNITS | | SCALE | | CURRENT REV DESC: OBSOLETE PART NUMBERS AS PER PCN 508518 | | | | molex | |
| mm | | NTS | | | | | | | |
| GENERAL TOLERANCES (UNLESS SPECIFIED) | | | | EC NO: 671087 | | 2021/06/07 | | PCI EXPRESS | |
| | | | | DRWN: RPRABHUM | | 2021/08/06 | | EDGE CARD CONNECTOR (LEAD FREE VERSION) | |
| 4 PLACES ± | | | | CHK'D: GGA | | 2021/08/06 | | PRODUCT CUSTOMER DRAWING | |
| 3 PLACES ± | | | | APPR: GGA | | 2021/08/06 | | | |
| 2 PLACES ± 0.25 | | | | INITIAL REVISION: | | | | DOCUMENT NUMBER | |
| 1 PLACE ± 0.25 | | | | DRWN: DAVID HU | | 2007/05/14 | | SD-87715-901 | |
| 0 PLACES ± | | | | APPR: JENNY CHEN | | 2007/05/14 | | PSD 001 G | |
| ANGULAR TOL ± 3.0° | | | | THIRD ANGLE PROJECTION | | DRAWING | | SHEET NUMBER | |
| DRAFT WHERE APPLICABLE MUST REMAIN WITHIN DIMENSIONS | | | | A3-SIZE | | SERIES 87715 | | 3 OF 4 | |
| | | | | MATERIAL NUMBER | | CUSTOMER | | | |
| | | | | SEE TABLE | | GENERAL MARKET | | | |

| MOLEX P/N | CIRCUIT SIZE | HOUSING MATERIAL | HOUSING COLOR | TERMINAL MATERIAL | CONTACT PLATING | SOLDER TAIL "D" LENGTH | PEG 1 | PEG 2 | DESCRIPTION | PACKAGING |
|------------|--------------|------------------|---------------|-------------------|-----------------|------------------------|-------|-------|-------------|-----------|
| 87715-9002 | 36 | NYLON46 | BLACK | PHOSPHOR BRONZE | 15 MICROINCH | 2.54 | WITH | WITH | TOOLED | TRAY |
| 87715-9005 | | | | | 15 MICROINCH | 3.00 | | | | |
| 87715-9006 | | | | | 30 MICROINCH | 2.54 | | | | |

| MOLEX P/N | CIRCUIT SIZE | HOUSING MATERIAL | HOUSING COLOR | TERMINAL MATERIAL | CONTACT PLATING | SOLDER TAIL "D" LENGTH | PEG 1 | PEG 2 | DESCRIPTION | PACKAGING |
|------------|--------------|------------------|---------------|-------------------|-----------------|------------------------|-------|-------|-------------|-----------|
| 87715-9302 | 164 | NYLON46 | BLACK | PHOSPHOR BRONZE | 15 MICROINCH | 2.54 | WITH | WITH | TOOLED | TRAY |
| 87715-9305 | | | | | 15 MICROINCH | 3.00 | | | | |
| 87715-9306 | | | | | 30 MICROINCH | 2.54 | | | | |

| | | | | | | | | | | | |
|---|--|--------|--|--|--|---------|--|----------|--|-----------------|--|
| THIS DRAWING CONTAINS INFORMATION THAT IS PROPRIETARY TO MOLEX ELECTRONIC TECHNOLOGIES, LLC AND SHOULD NOT BE USED WITHOUT WRITTEN PERMISSION | | | | | | | | | | | |
| DIMENSION UNITS | | SCALE | | CURRENT REV DESC: OBSOLETE PART NUMBERS AS PER PCN 508518 | | | | | | | |
| mm | | NTS | |  PCI EXPRESS EDGE CARD CONNECTOR (LEAD FREE VERSION) | | | | | | | |
| GENERAL TOLERANCES (UNLESS SPECIFIED) | | | | | | | | | | | |
| | | | | EC NO: 671087 DRWN: RPRABHUM 2021/06/07 CHK'D: GGA 2021/08/06 APPR: GGA 2021/08/06 INITIAL REVISION: DRWN: DAVID HU 2007/05/14 APPR: JENNY CHEN 2007/05/14 | | | | | | | |
| | | | | | | | | | | | |
| 4 PLACES ± | | ± | | | | | | | | | |
| 3 PLACES ± | | ± | | | | | | | | | |
| 2 PLACES ± | | 0.25 ± | | | | | | | | | |
| 1 PLACE ± | | 0.25 ± | | DOCUMENT NUMBER | | | | DOC TYPE | | DOC PART | |
| 0 PLACES ± | | ± | | SD-87715-901 | | | | PSD | | 001 | |
| ANGULAR TOL ± | | 3.0° | | SHEET NUMBER | | | | 4 OF 4 | | | |
| DRAFT WHERE APPLICABLE MUST REMAIN WITHIN DIMENSIONS | | | | THIRD ANGLE PROJECTION | | DRAWING | | SERIES | | MATERIAL NUMBER | |
| | | | |  | | A3-SIZE | | 87715 | | GENERAL MARKET | |

| | | | | |
|-----------------|----|--------------|------------|----------|
| DOCUMENT STATUS | P1 | RELEASE DATE | 2021/08/06 | 10:26:02 |
|-----------------|----|--------------|------------|----------|