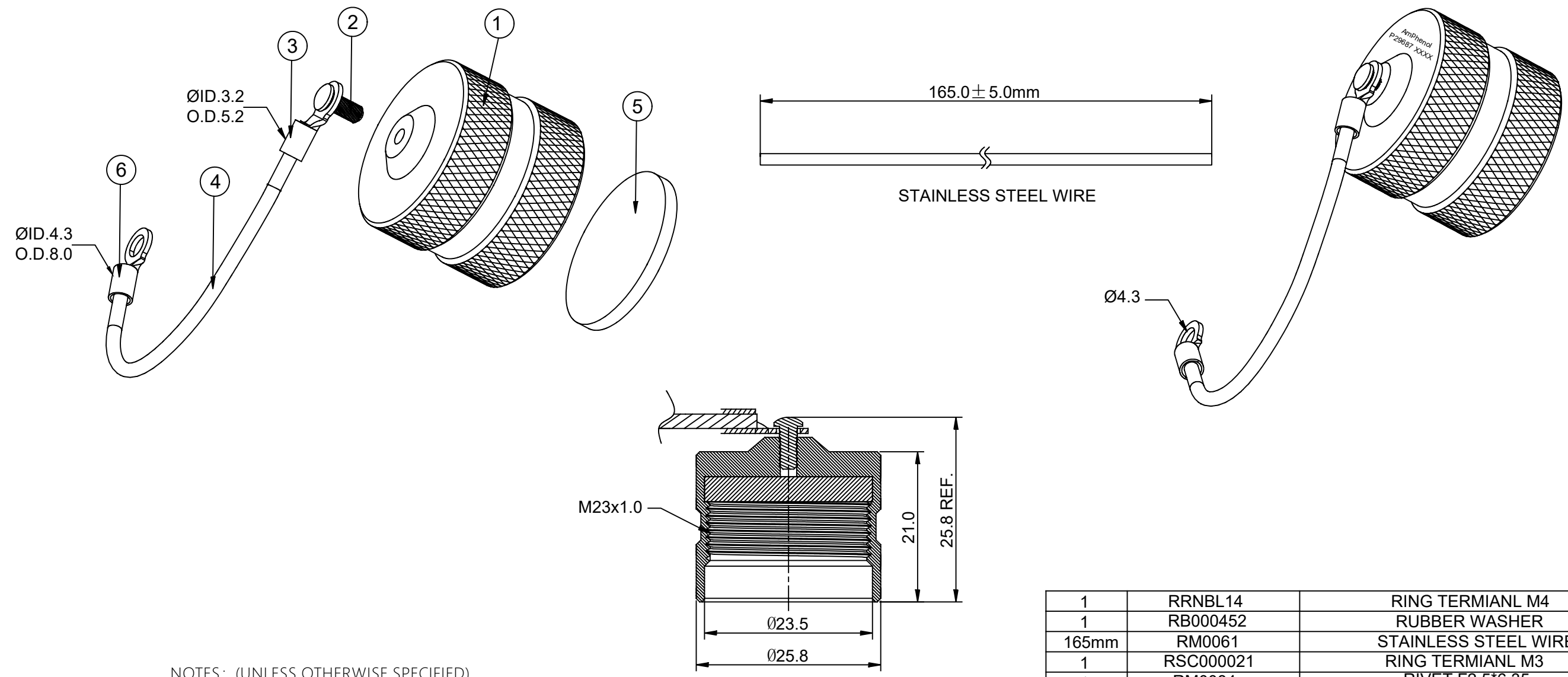


REVISIONS					
REV	ECO	DESCRIPTION	DATE	BY	APPR
A1		FIRST RELEASED	Sep-17-2018		Tommy
A2		UPDATED DRAWING	Jan-09-2019		Tommy



- NOTES: (UNLESS OTHERWISE SPECIFIED)
- MATERIAL:
 NUT: ZINC DIE CAST, NICKEL PLATED.
 RIVET: STAINLESS STEEL.
 WIRE: STAINLESS STEEL.
 SEAL: EPDM.
 - SPECIFICATIONS:
 2.1 MATING CYCLES DURABILITY: 500 CYCLES MIN.
 2.2 IP--CLASS : IP67 (IN MATED CONDITION)
 2.3 RoHS COMPLIANT.
 - ALL DIMENSIONS ARE FOR REFERENCE USE ONLY.

QUANTITY	PART NUMBER	DESCRIPTION	ITEM
1	RRNBL14	RING TERMIANL M4	6
1	RB000452	RUBBER WASHER	5
165mm	RM0061	STAINLESS STEEL WIRE	4
1	RSC000021	RING TERMIANL M3	3
1	RM0084	RIVET,F2.5*6.35	2
1	M0273	METAL COUPLING NUT	1

MATERIALS LIST			
UNLESS OTHERWISE SPECIFIED 1) All dimensions are in metric(mm). 2) Tolerances are as follows: 1 PL DEC ±0.30 2 PL DEC ±0.15 3 PL DEC ±0.08 3) Note reference =		SIGNATURES DATE	
		DRAWN: White	Jan-09-2019
		CHECKED: Tod	Jan-09-2019
		ENGINEER:	
		APPROVAL: Tommy	Jan-09-2019
MATERIAL SPECIFICATIONS:		CUSTOMER:	
PROCESS SPECIFICATIONS:		THIS DRAWING IS SUPPLIED FOR INFORMATION ONLY. DESIGN FEATURES, SPECIFICATIONS AND PERFORMANCE DATA SHOWN HEREON ARE THE PROPERTY OF THE AMPHENOL CORPORATION. NO RIGHTS OF REPRODUCTION ARE IMPLIED. ALL DIMENSIONS ARE SUBJECT TO NORMAL MANUFACTURING VARIATIONS.	
NEXT ASSY:			

Amphenol

Sine Systems - www.amphenol-sine.com
 44724 Morley Drive
 Clinton Township, MI 48036

SIZE	TYPE	DWG NO:	REVISION
B	C-	P29687	A2
SCALE:	NONE		SHEET 11 OF

TITLE: DUST CAP FOR M23 A & B RECEPTACLE
 DWG NO: P29687
 REV: A2
 SH: 1
 OF: 1