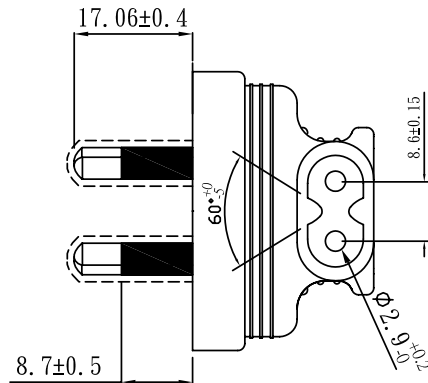
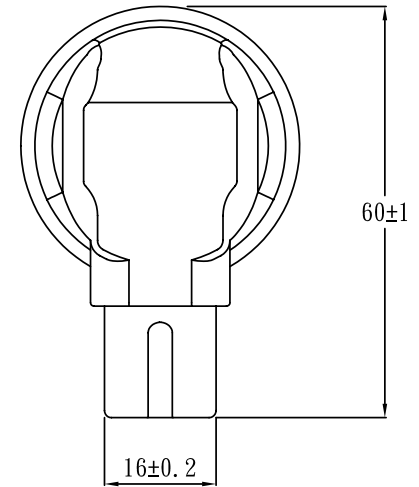
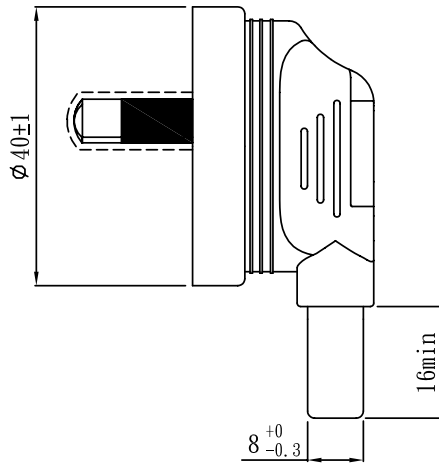
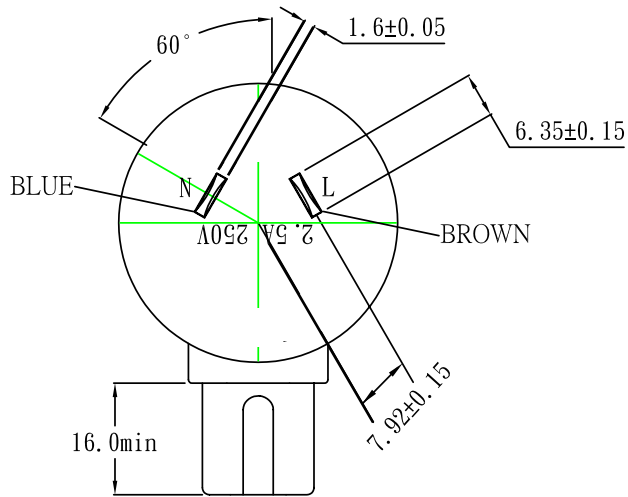


PROPRIETARY INFORMATION:
 PROPRIETARY OF GLOBTEK, INC. ANY REPRODUCTION, DISCLOSURE OR
 USE OF THIS DRAWING, IN WHOLE OR IN PART, IS HEREBY
 PROHIBITED EXCEPT AS SPECIFIED IN WRITING BY GLOBTEK, INC.

REVISION			
REV	DESCRIPTION	DATE	APPROVED
A	INITIAL RELEASE, RFS. 14875, EM	10/23/08	HM



Note:

1. Rating: 2.5A 250V
2. Insulation Resistance: 100MΩ
3. Dielectric Voltage: 2000V/sec



DASH NO.	PART NO	REV.	DESCRIPTION	NOTES
TABULATION BLOCK				
			GlobTek, Inc. 186 Veterans Dr. Northvale, NJ 07647 Tel. 201-784-1000 Fax 201.784.0111 www.globtek.com	
				DWG TITLE: PLUG ADAPTOR, AUSTRALIA AS/NZS 3112 RIGHT ANGLE TO CONNECTOR IEC 60320/C7
INIT. BY: EM	DATE: 10/23/08	TOLERANCES: DECIMALS .xx +/- 0.1 .xxx +/- .005 MILLIMETERS .xx +/- 0.3 .xxx +/- .013	ANGULAR +/- 1°	MODEL: GT-3613L
DRAWN: NF	DATE: 10/23/08	FSCN No.: G, CC, YL	SIZE A	REV. A
APRVD: HM	DATE: 10/23/08	SCALE: NONE	PART NO: 501R-703R(R)	SHEET 1/1

Foot Note:
 Globtek Inc. will not be liable for the safety and performance of these power product if unauthorized access and repair occurs. End user should consult the applicable UL, CSA or EN Standards for proper installation instruction.

Limitation of Use:
 Globtek product are not authorized for use as mission critical components in life support, hazardous environment, nuclear or aircraft applications without prior written approval from the CEO of Globtek Inc.

Contents of this document are subject to change without prior notice