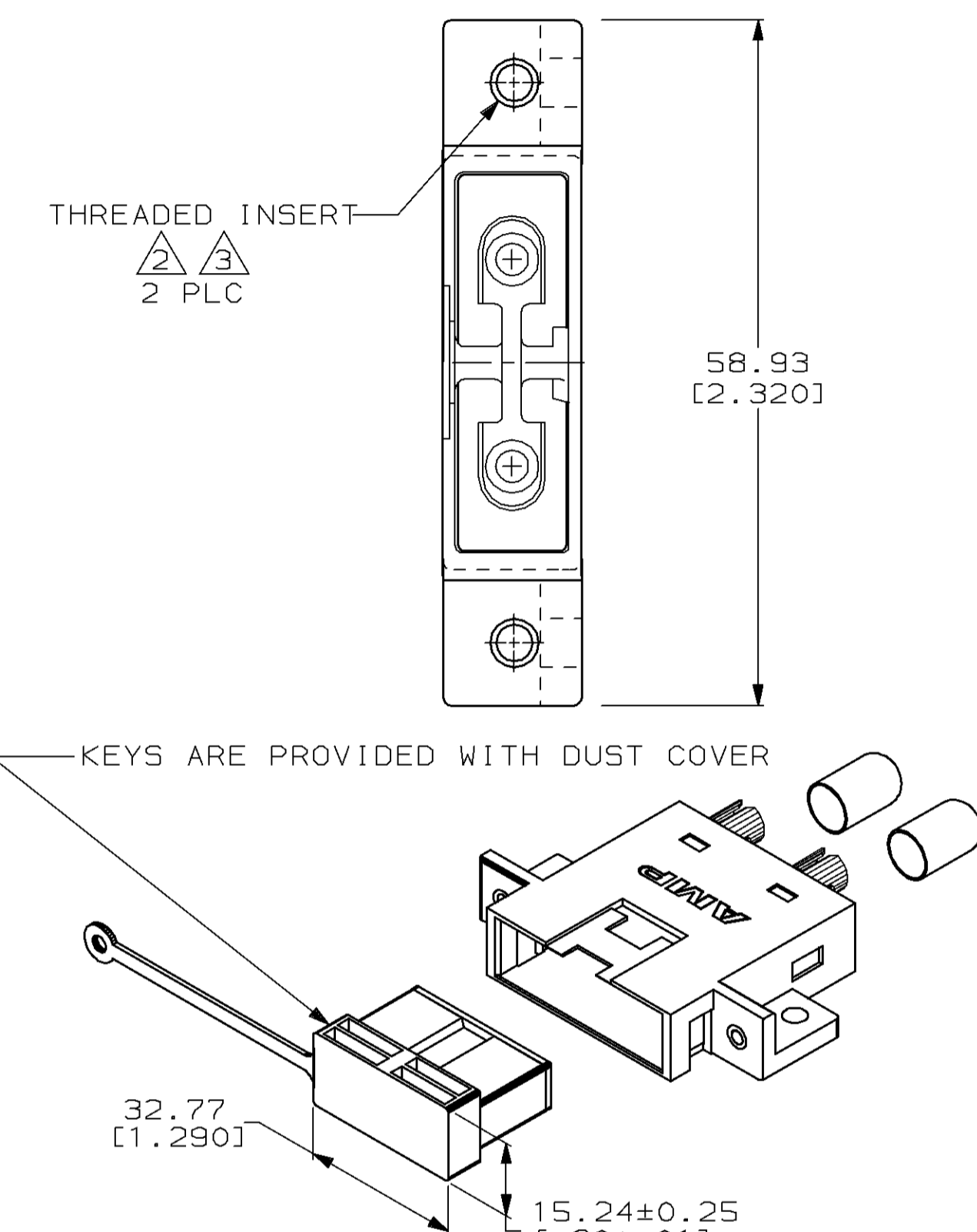
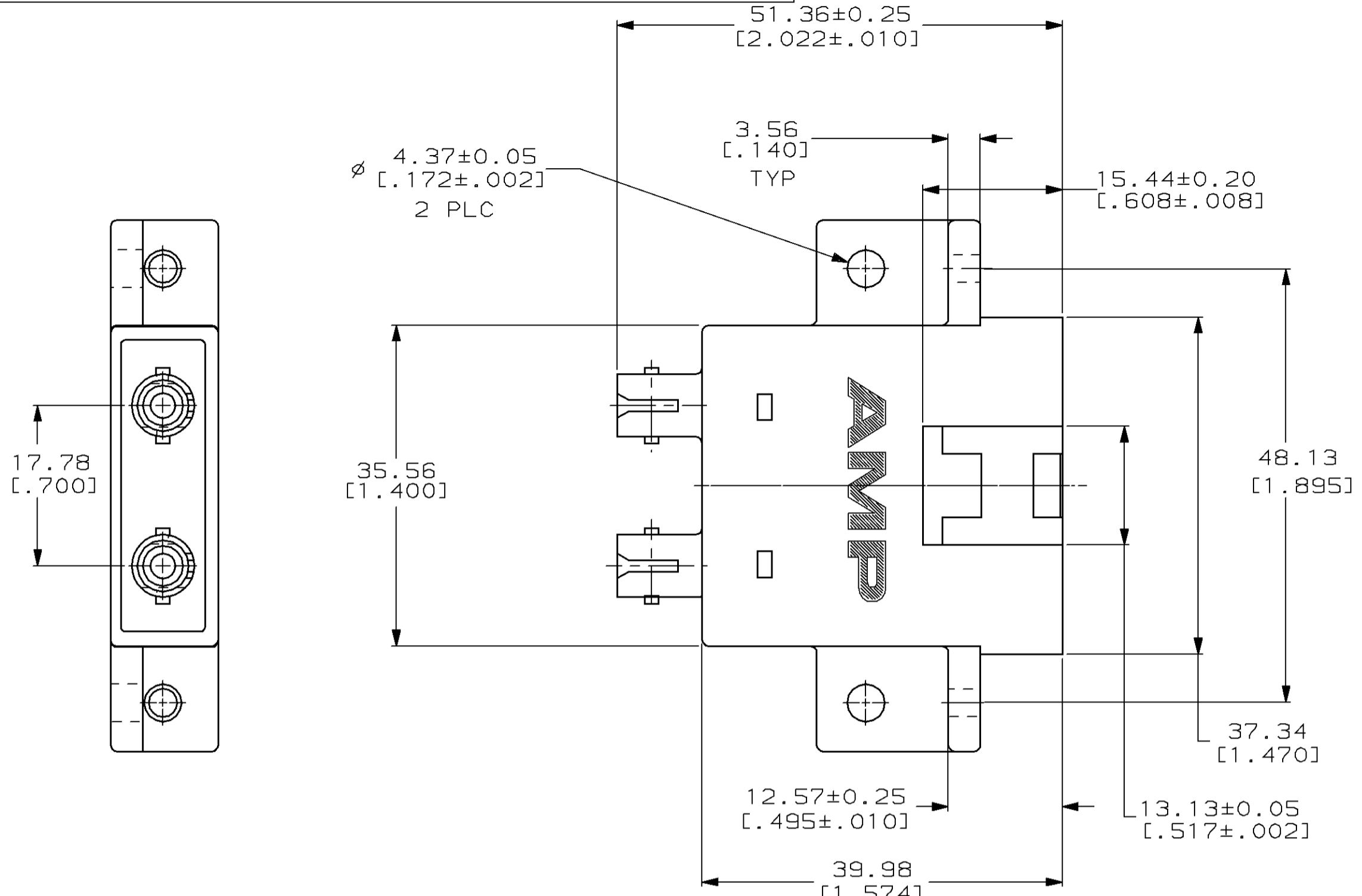
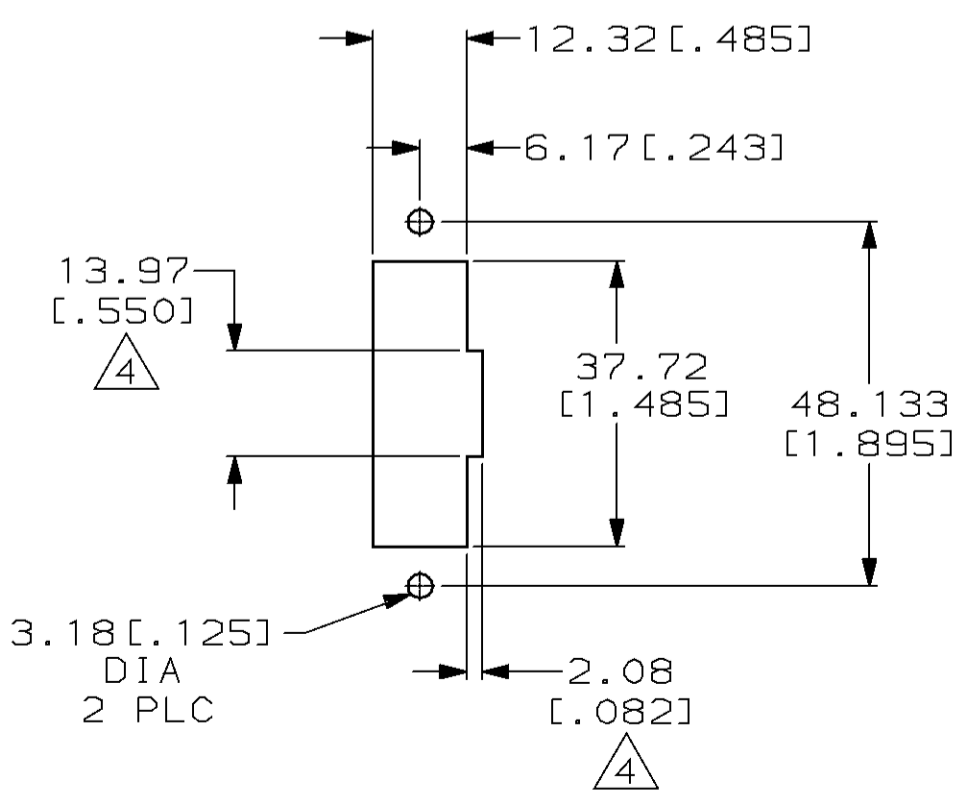


THIS DRAWING IS UNPUBLISHED. RELEASED FOR PUBLICATION ,19 .
 © COPYRIGHT 19 BY AMP INCORPORATED. ALL INTERNATIONAL RIGHTS RESERVED.

LOC		DIST		P		F		ZONE		LTR		REVISIONS		DATE	APPD
CE		16										DESCRIPTION			
												REV PER 0500-0087-94	11-22-94	RH/GL	



1. DIMENSIONS IN [] ARE IN INCHES.
- ② #4-40 THREADED INSERT.
- ③ M3X0.5 THREADED INSERT.
- ④ OPTIONAL CUTOUT FOR FIELD KEY INSERTION AND REMOVAL. KEY EXTRACTION TOOL PART NUMBER: 503679-1.



③	BEIGE	CERAMIC	502808-6
③	BEIGE	METAL	502808-5
②	BEIGE	CERAMIC	502808-4
SUPERSEDED BY 502808-4			
②	BLACK	CERAMIC	502808-3
②	BEIGE	METAL	502808-2
SUPERSEDED BY 502808-2			
	COLOR	ALIGNMENT SLEEVE MATERIAL	PART NUMBER

		PART NO	
DO NOT SCALE PRINT. UNLESS SPECIFIED DIMENSIONS IN mm TOLERANCES ON :	DR 10-9-92 R.HILEMAN	AMP INCORPORATED Harrisburg, Pa. 17105	
2 PLC DEC ± -	CHK 10-14-92 T.FAWCETT		
3 PLC DEC ± 0.13 [.005]	APPD 10-14-92 T.FAWCETT	NAME	
ANGLES ± -	APPD 10-14-92 D.FISHER	FSD TO 2.5mm BAYONET COUPLING ASSEMBLY, FIELD KEYABLE, AMP FSD, MULTIMODE	
MATERIAL THERMOPLASTIC	PRODUCT SPEC -	SIZE C	FSCM NO 00779
FINISH SEE TABLE	APPLICATION SPEC -	SCALE 2:1	DRAWING NO 502808
	WEIGHT -		SHEET 1 OF 1

METRIC