

NOTES:

I. MATERIAL:

- A. **BODY**; PHOSPHOR BRONZE PER QQ-B-750.
- B. **CAPTIVE SCREW**; STAINLESS STEEL PER QQ-S-763, 300 SERIES.
- C. **CLAMP INSERT**; FLUOROSILICONE ELASTOMER PER MIL-R-25988.

2. FINISH:

- A. **BODY**; TIN PLATED PER MIL-T-10727 OVER NICKEL PER MIL-C-26074.
- B. **CAPTIVE SCREW**; PASSIVATED PER QQ-P-35.

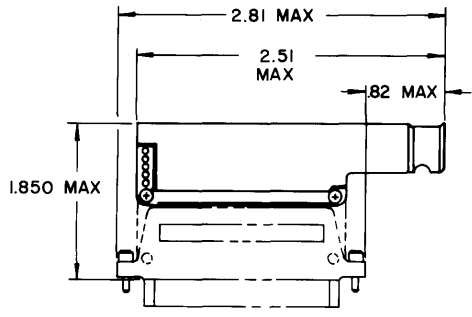
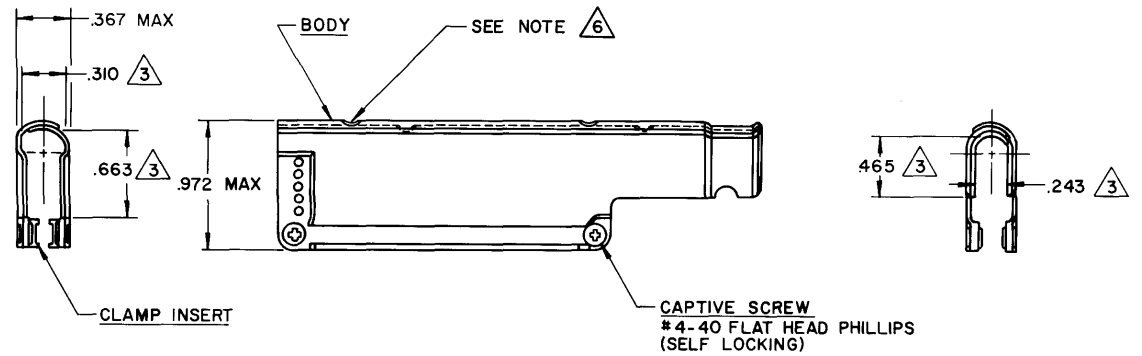
3 THESE DIMENSIONS ARE FOR MAXIMUM CABLE ACCOMMODATION.

4. **Raychem** PART NUMBER CHA-0017 IS MARKED ON BACKSHELL PACKAGE.

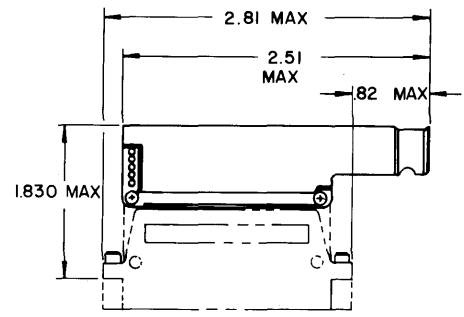
5. THIS BACKSHELL IS FOR USE WITH **Raychem** MTC SERIES CONNECTORS. 1" PLUG OR 1" RECEPTACLE AS SHOWN.

6 .125 DIA. MAX. (CONSTRUCTION HOLES) TWO (2) HOLES ON EACH HALF OF PART APPROX. AS SHOWN.

ZONE	REV	DESCRIPTION	DATE	APPROVAL
A		REVISED PER ECN # T 4018	2-16-88	J3



1 INCH PLUG ASSY
INSTALLATION DATA
REF



1 INCH RECEPTACLE ASSY
INSTALLATION DATA
REF

CONNECTOR SPECIFICATION CONTROL DRAWING

UNLESS OTHERWISE SPECIFIED DIMENSIONS ARE IN INCHES BRACKETED DIMENSIONS () ARE METRIC AND TOLERANCES ARE: .xxx: ± () .xx: ± () .x: ± ()	DRAWN	W.JACKSON	9-80	Raychem <small>RAYCHEM CORPORATION 300 CONSTITUTION DRIVE MENDOTA PARK, CALIFORNIA 96025</small> TITLE RIGHT ANGLE BREAKOUT BACKSHELL ASSY 1 INCH MTC
	CHECKED	J3		
	APPROVED	Plain	7-30-80	
	APPROVED			
				SIZE C CODE IDENT NO. 06090 DWG. NO. CHA-0017 WEIGHT — SHEET 1 OF 1

If this document is printed it becomes uncontrolled.
Check with the web for latest revision.

DO NOT SCALE THIS DRAWING