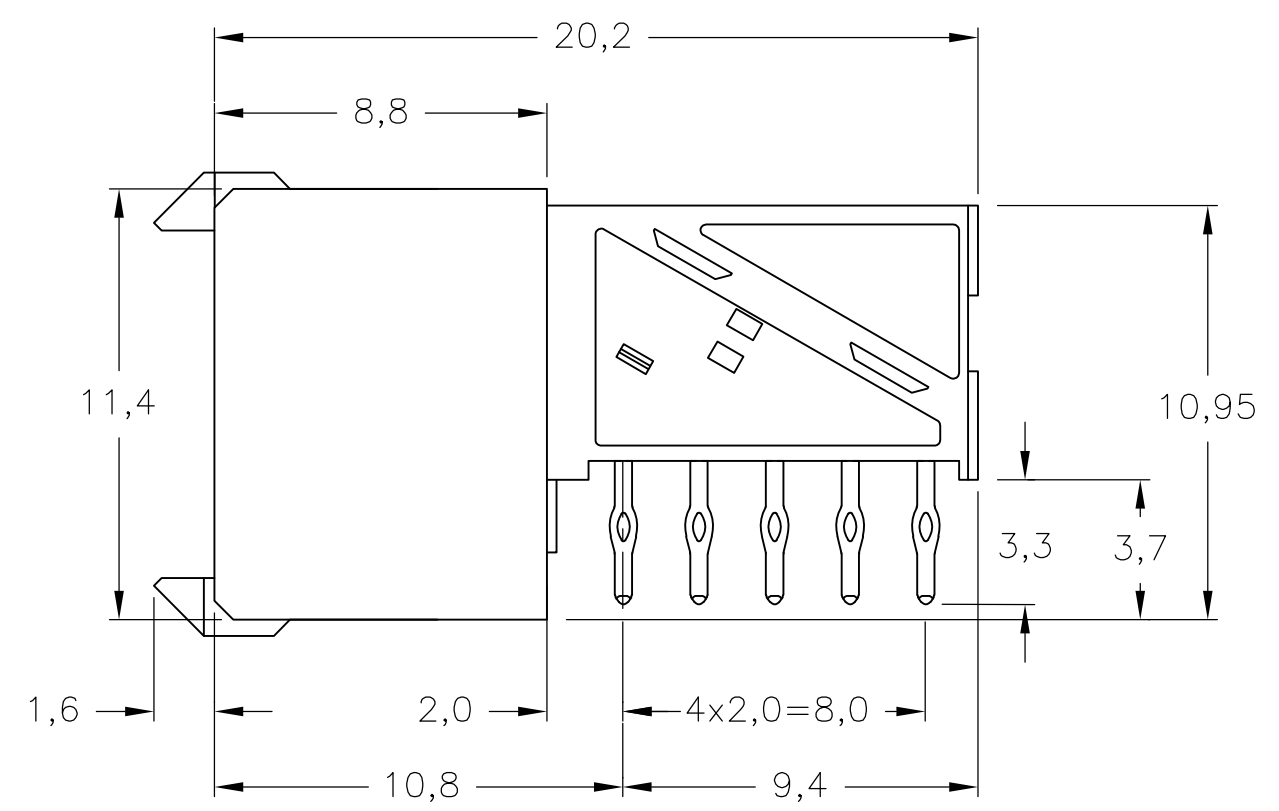
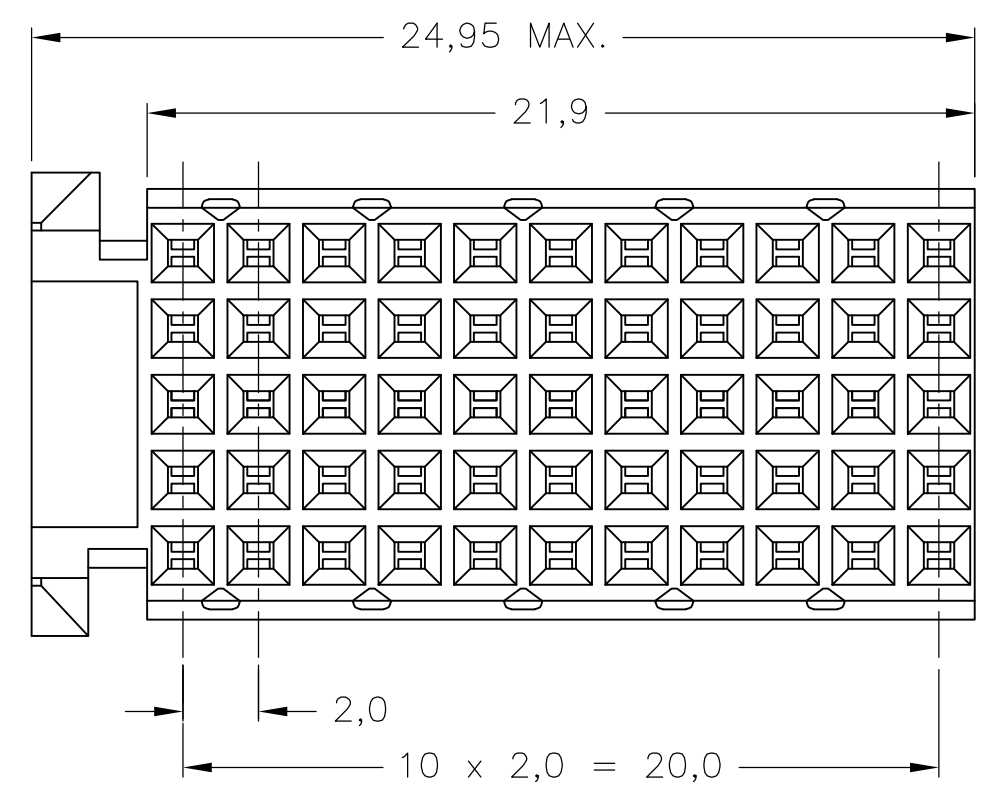
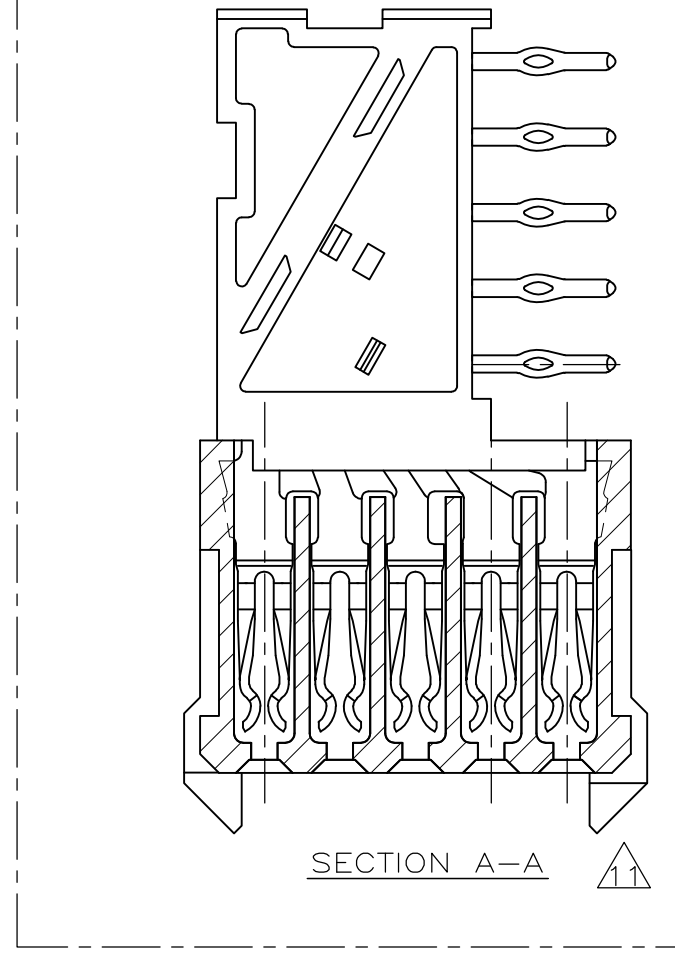
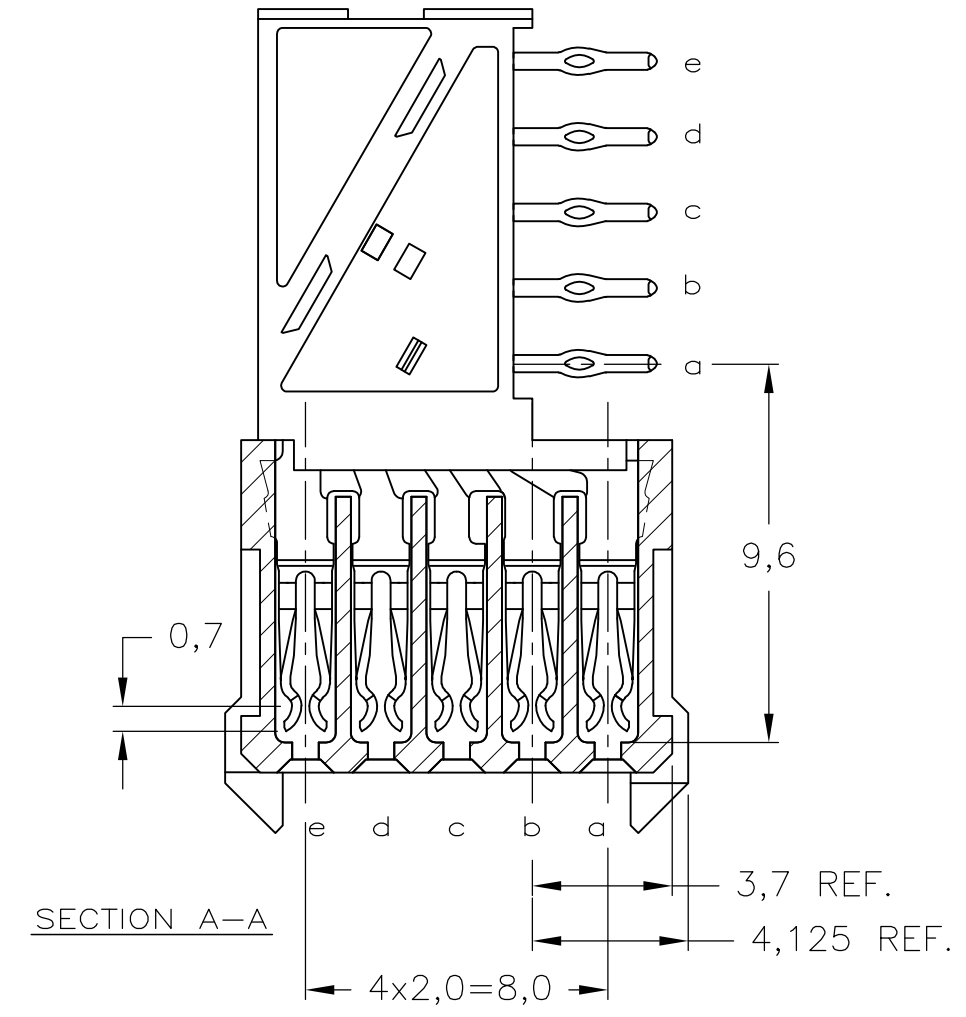
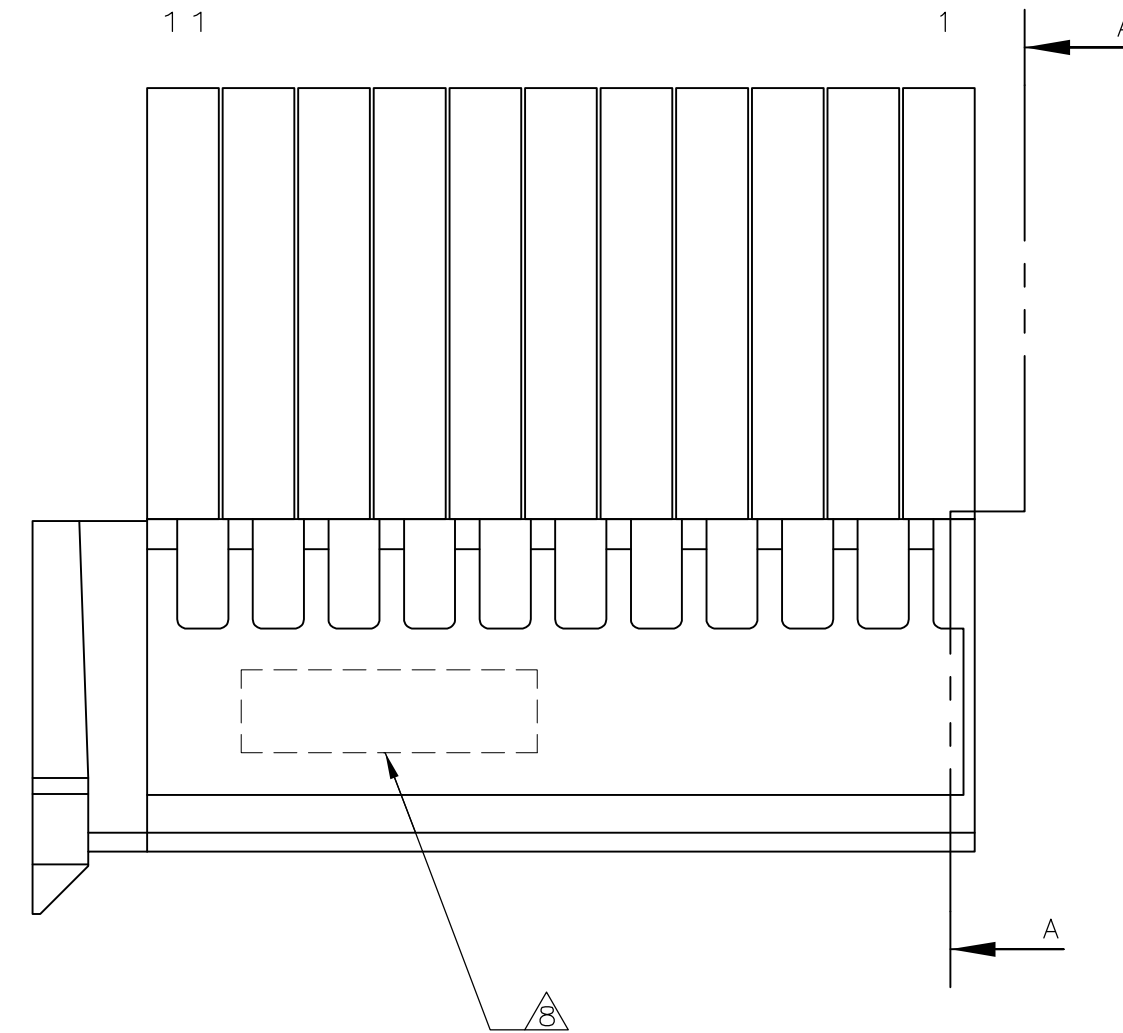
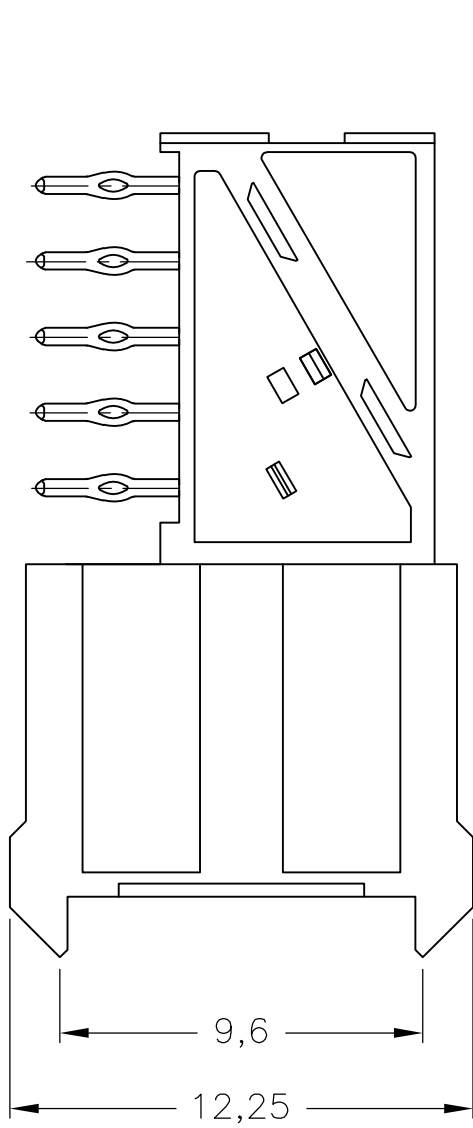
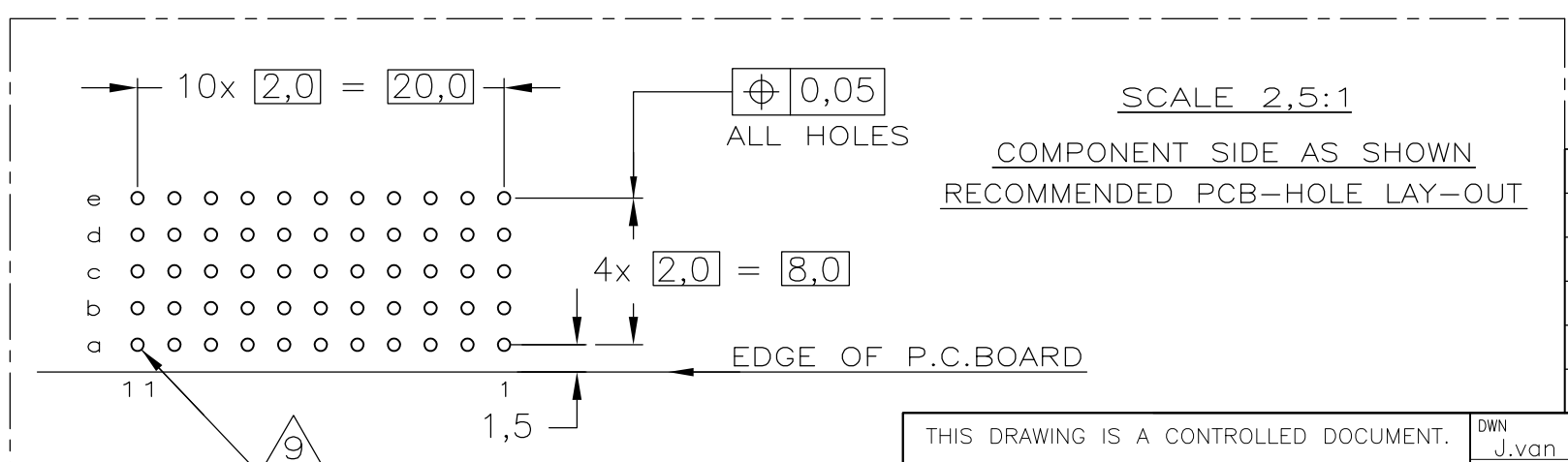


THIS DRAWING IS UNPUBLISHED. RELEASED FOR PUBLICATION  
 © COPYRIGHT BY TYCO ELECTRONICS CORPORATION. ALL RIGHTS RESERVED.

LOC		DIST		REVISIONS			
P	LTR	DESCRIPTION	DATE	DWN	APVD		
C		ECO-11-024491	13DEC11	SY	MQW		



- NOTES:**
- ⚠ MATERIAL CONTACT; PHOSPHORBRONZE  
MATERIAL HOUSING; GLASSFILLED POLYESTER (GRAY)  
UL-RATING 94V0.
  - ⚠ GENERAL PLATING SPECIFICATION: UNDERPLATING (ENTIRE CONTACT): 1,27µm NICKEL MIN.  
AND COMPLIANT PIN SECTION: 0,5µm TIN MIN.  
FOR PLATING OF MATING SURFACES SEE APPLICABLE SPECIFICATION REFERENCE FOR EACH DASH NUMBER.
  - ⚠ CONFORMS TO ALL TESTING ACCORDING IEC 61076-4-101 PERFORMANCE LEVEL 2.
  - ⚠ CONFORMS TO ALL TESTING ACCORDING IEC 61076-4-101 PERFORMANCE LEVEL 1.
  - ⚠ CONNECTOR TESTED AND QUALIFIED AGAINST TELCORDIA GR-1217-CORE QUALITY LEVEL III, CENTRAL OFFICE APPLICATIONS.
  - ⚠ CONNECTOR TESTED AND QUALIFIED AGAINST TELCORDIA GR-1217-CORE QUALITY LEVEL III, UNCONTROLLED ENVIRONMENT APPLICATIONS.
  - ⚠ CONNECTOR LUBRICATED WITH TELCORDIA GR-1217-CORE APPROVED LUBRICANT.
  - ⚠ CONNECTOR PRINTED WITH PARTNUMBER AND DATECODE  
THE MARKING CAN APPEAR ON THE FRONT SIDE OR ON THE BACK SIDE.
  - ⚠ PLATED-THROUGH HOLES AT 2x2mm SQUARE GRID. 55 HOLES
  - ⚠ FITS WITH INTEGRATED GROUND RETURN UPPERSHIELD, BASIC P.N. 5352111  
AND INTEGRATED GROUND RETURN LOWERSHIELD, BASIC P.N. 5352112
  - ⚠ CONNECTOR ASSEMBLED WITH REDESIGNED CONTACTS.  
CONTACTS HAVE A CORING-OUT IN THE PLASTIC.



FINISH	MATERIAL	PARTNUMBER
⚠6⚠	⚠	1-1857991-9
⚠5⚠	⚠	1857991-9
⚠4⚠	⚠	1857991-4
⚠3⚠	⚠	1857991-1

THIS DRAWING IS A CONTROLLED DOCUMENT.

DWN	J.van Hoek	23AUG2007
CHK	B.Mooij	23AUG2007
APVD	J.Broeksteeg	23AUG2007

Tyco Electronics Corporation  
 's-Hertogenbosch, 5222AR-32

**Tyco Electronics**

NAME: Z-PACK 2mm HM TYPE C  
 APPLICATION SPEC: 108-19082  
 APPLICATION SPEC: 114-19029

SIZE	CAGE CODE	DRAWING NO	RESTRICTED TO
A2	00779	C=1857991	-

CUSTOMER DRAWING SCALE 4:1 SHEET 1 OF 1 REV C

P.C.B. HOLE DIM. COMPLIANT PIN  
 FOR DETAILS SEE APPLICATION SPECIFICATION