

## 50 Ω MCX TO 6 GHz

### MCX Cable Assemblies

RF174, RF178, RF316, RS316



SERIES	END 1 CONNECTOR	END 2 CONNECTOR	OVERALL LENGTH
<b>RF174</b> = RG 174 Cable	<b>-02SJ1</b> = MCX Straight Jack		<b>-“XXXX”</b> = Overall Length in millimeters
<b>RF178</b> = RG 178 Cable	<b>-02RP1</b> = MCX Right-angle Plug (RS316 not available)		-0100 (100 mm) 3.94" minimum
<b>RF316</b> = RG 316 Cable, Single Braid Shield	<b>-02SP1</b> = MCX Straight Plug		
<b>RS316</b> = RG 316 Cable, Double Shielded			

#### ALSO AVAILABLE

50 Ω: MMCX, SMA, SMB, BNC, TNC,

N Type = RF174, RF178, RF316

50 Ω: MMCX, SMA, BNC, TNC = RS316

### MCX Cable Connectors

MCX-CA



Supplied with pins and ferrules. See website for dimensions.

CONNECTORS FOR INDUSTRY STANDARD CABLES	
MCX-J-C-H-ST-CA1	RG 174/316 Cable
MCX-J-C-H-ST-CA2	RG 178 Cable
MCX-J-C-HF-ST-CA1S	RG 316 Double Shielded Cable
MCX-P-C-H-ST-CA1	RG 174/316 Cable
MCX-P-C-H-ST-CA2	RG 178 Cable
MCX-P-C-HF-ST-CA1S	RG 316 Double Shielded Cable
MCX-P-C-H-RA-CA1	RG 174/316 Cable
MCX-P-C-H-RA-CA2	RG 178 Cable

P-C = Cable Plug

J-C = Cable Jack

H or HF = Plating (30 μ" Gold center contact, 3 μ" Gold outer contact)

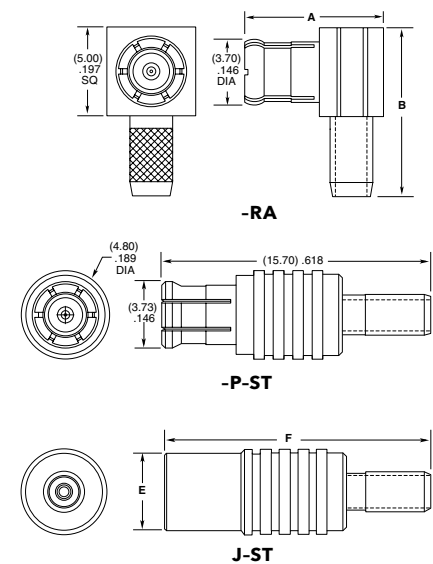
ST = Straight

RA = Right-angle

TYPE (-RA)	A	B
-P-CA1	(7.78) .306	(9.50) .374
-P-CA2	(8.58) .338	(10.00) .394

TYPE (-ST)	E	F
-J-CA1	(4.50) .177	(15.50) .610
-J-CA2	(4.78) .188	(15.00) .591
-J-CA1S	(4.50) .177	(15.50) .610



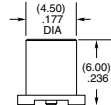
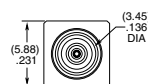
### MCX Board Connectors

MCX-TH, MCX-SM, MCX-EM, MCX-MT

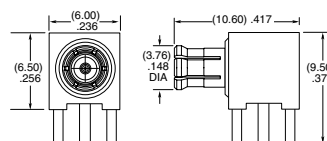
**Cable Mates:**  
RF174, RF178, RF316, RS316, GRF1H-C, IJ5H



MCX	GENDER	TYPE	PLATING	ORIENTATION	TERMINATION
	<b>-J</b> = Jack	<b>-P</b> = PCB Mount	<b>-H</b> = 30 μ" (0.76 μm) Gold center contact, 3 μ" (0.08 μm) Gold outer contact	<b>-ST</b> = Straight	<b>-TH1</b> = Through-hole (-ST plug not available)
	<b>-P</b> = Plug			<b>-RA</b> = Right-angle	<b>-TH2</b> = Elevated Through-hole (-ST plug only)
					<b>-SM1</b> = Surface Mount (Jack only)
					<b>-EM1</b> = Edge Mount (-ST Jack only)
					<b>-MT1</b> = Mixed Technology (-ST Jack only)



**-ST-SM1 (Jack)**



**-RA-TH1 (Plug)**