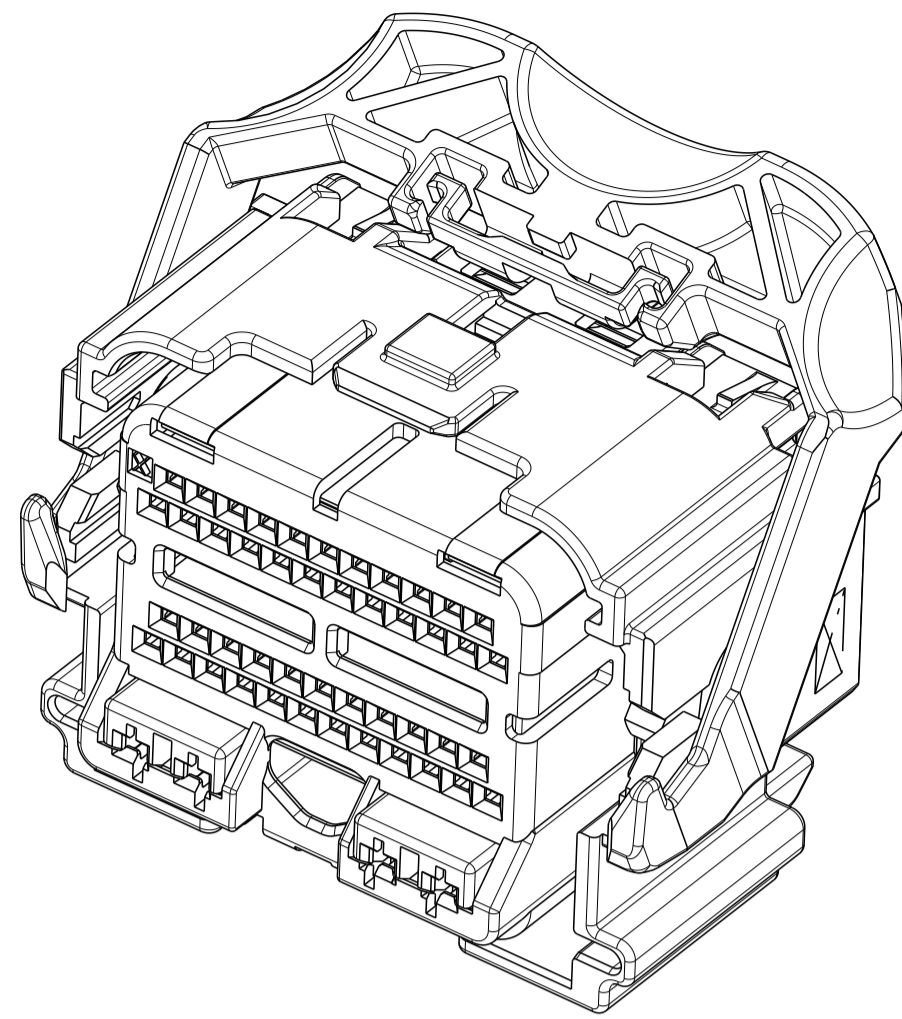
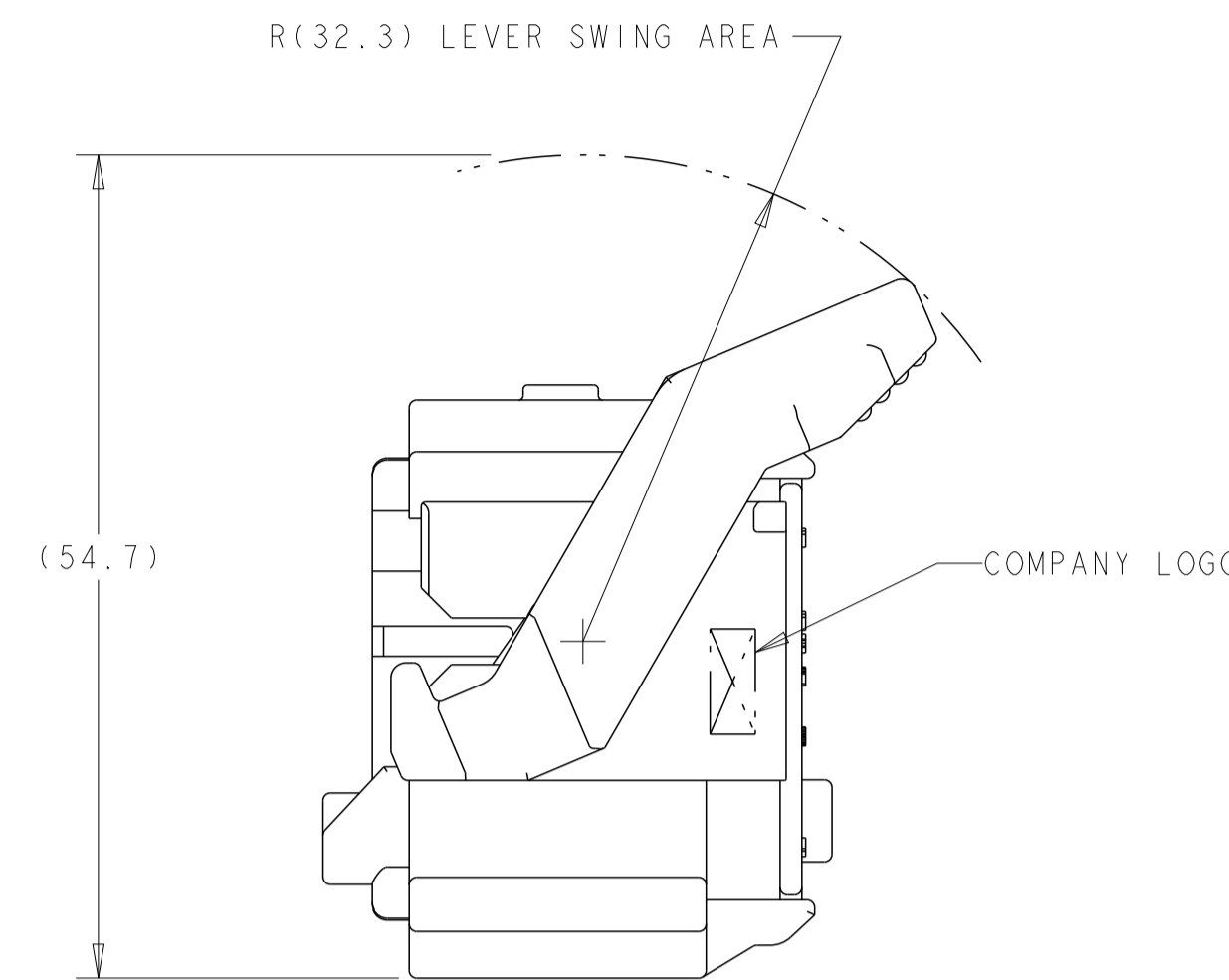
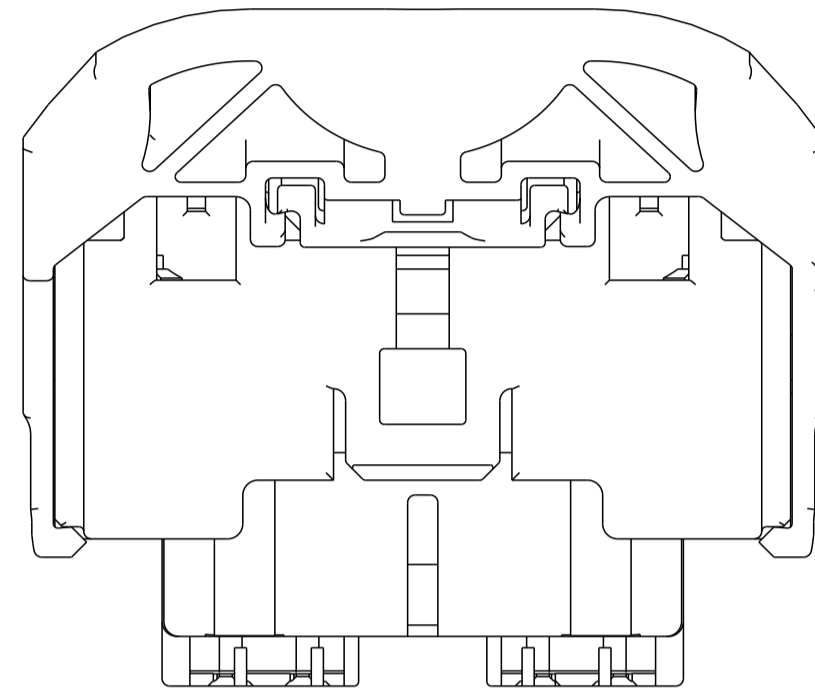


REVISIONS				
P	LTN	DESCRIPTION	DATE	APVD
A11		REVISED PER ECO-10-020914	22NOV2010	DLD DCM
A12		REVISED PER ECO-20-012415	10SEP2020	AP CM



PART NUMBER:
1438693-1
SHOWN WITH SPACER
IN SEATED POSITION
SCALE 2:1



SHOWN WITH SPACER IN SEATED POSITION

PRINT TYCO ELECTRONICS PART NUMBER AND TRACEABILITY (YY : 2 DIGIT YEAR, JJJ = JULIAN DATE, HH = 2 DIGIT MILITARY HOUR CODE) IN THE LOCATION AT ASSEMBLY.

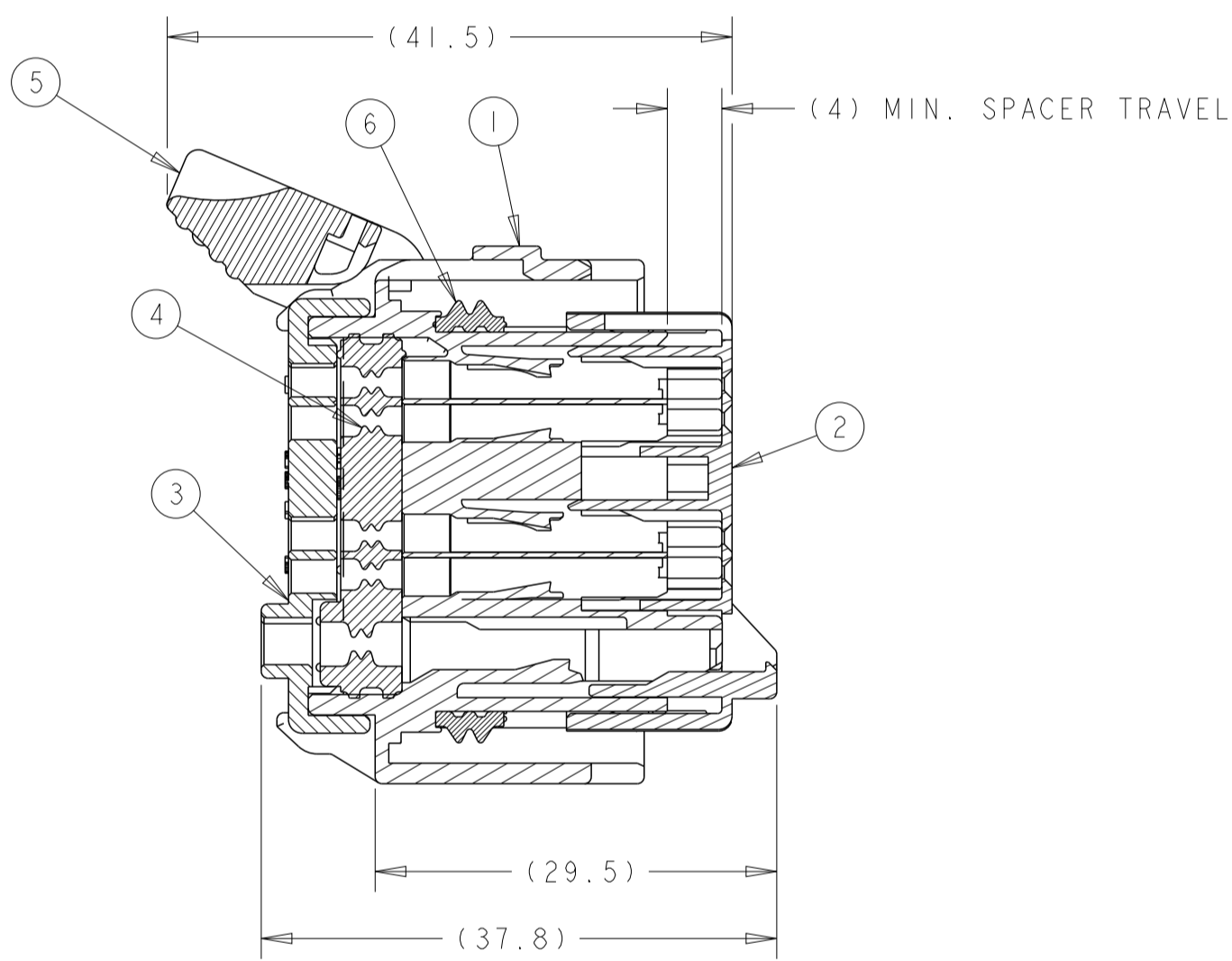
OPTIONAL WIRE SHIELD PART NUMBERS (SOLD SEPARATELY) 1438126, 1438180, 1488373, AND 1488572. CONTACT TYCO ELECTRONICS ENGINEER FOR MINIMUM FEED THRU CONDITION.

3. APPLICABLE TERMINAL PART NUMBERS (SOLD SEPARATELY)
FOR TIN APPLICATIONS: 1393367 AND 1393366.
FOR GOLD APPLICATIONS: 1393365 AND 1393364.
FOR TERMINATION AND REELING OPTIONS SEE DRAWINGS 1393367, 1393366, 1393365, AND 1393364.

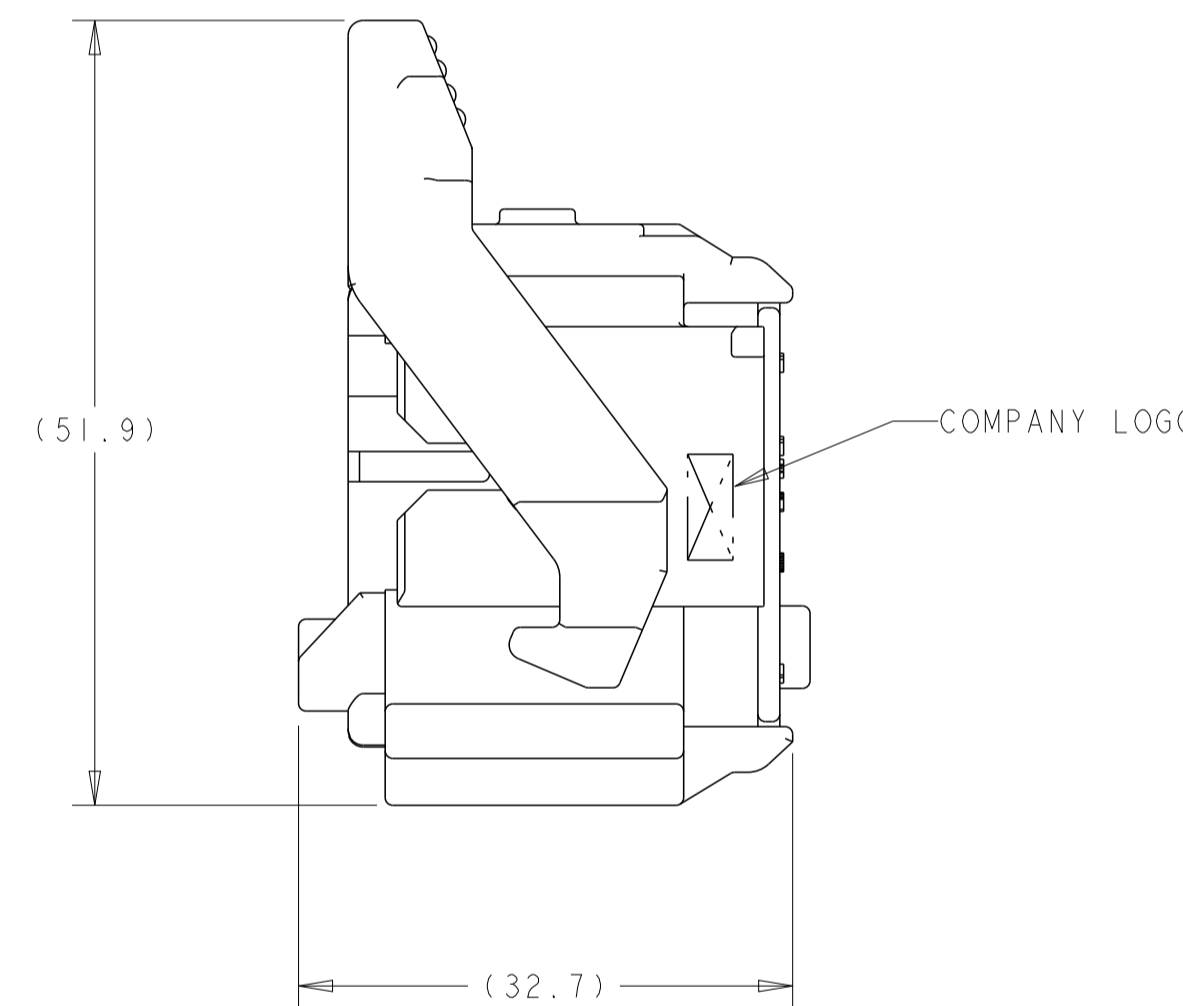
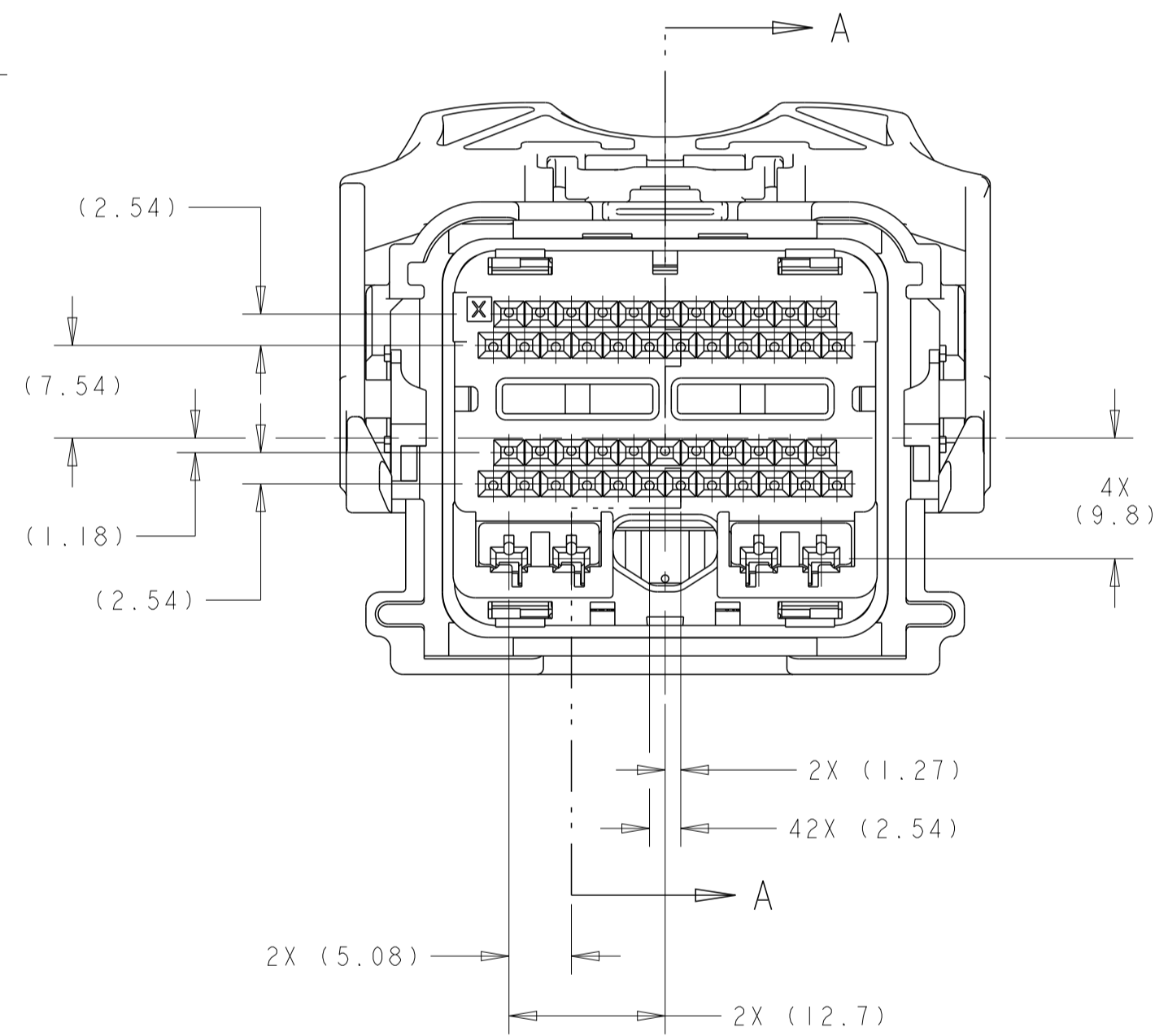
4. APPLICABLE MOLEX (1.5) POWER TERMINAL PART NUMBERS:
33012-0002 TIN 0.50-1.50mm²

5. CAM LEVER AND SPACER ARE SHIPPED IN THEIR PRE-ASSEMBLED POSITIONS.

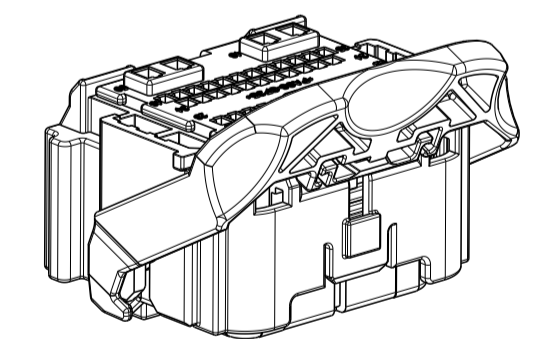
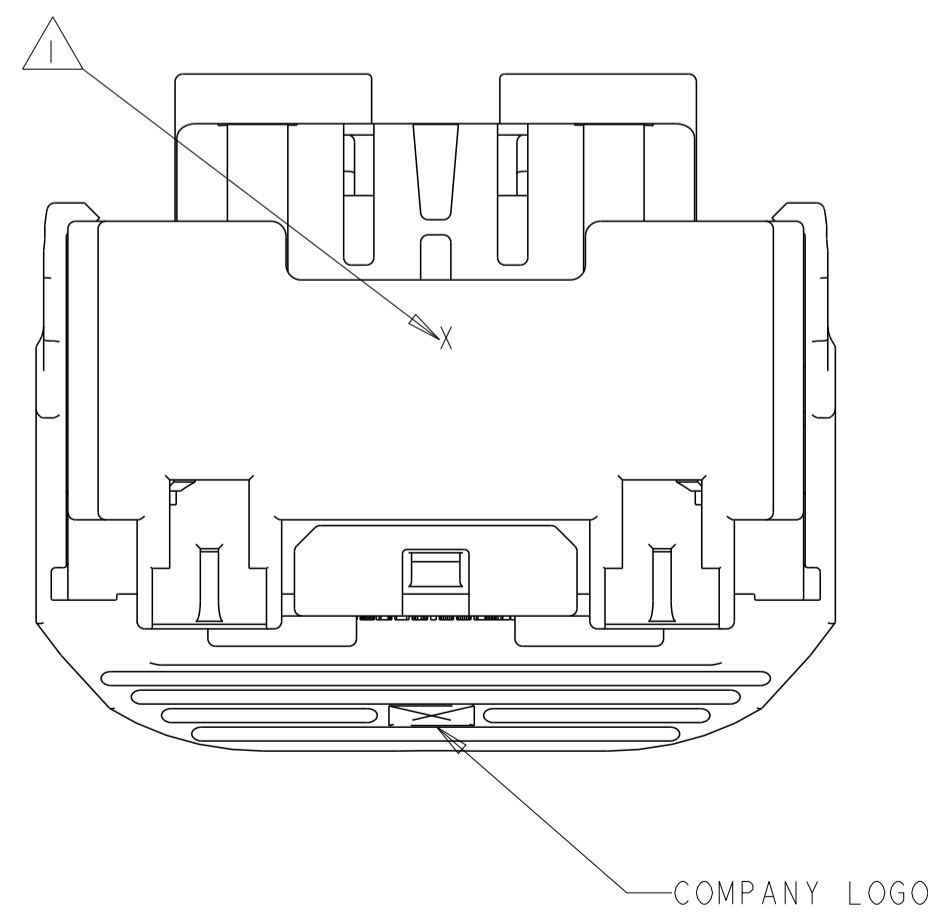
OBSOLETE PART



SECTION A-A
SPACER AND LEVER IN
PRE-SEATED POSITION
(DELIVERY CONDITION)



SHOWN WITH CAM
LEVER AND SPACER
IN LOADED POSITION



SCALE 1:1

PART COLOR	DESCRIPTION	ITEM NO.
GREEN	PERIMETER SEAL	6
GRAY	LEVER	5
BROWN	GROMMET SEAL	4
BLACK	COVER	3
NATURAL	SPACER	2
BLACK	HARNESS, KEY "C"	1

THIS DRAWING IS A CONTROLLED DOCUMENT.		OWN B. CRISAMORE 21 JUL 2004	NAME PCM	
DIMENSIONS:		CHK M. HITCHCOCK 21 JUL 2004	50-WAY HARNESS ASSEMBLY	
TOLERANCES UNLESS OTHERWISE SPECIFIED:		APVD C. MARTIN 21 JUL 2004	KEY C	
mm	0 PLC ±0.3	PRODUCT SPEC	RESTRICTED TO	
	1 PLC ±0.10	APPLICATION SPEC	SIZE CAGE CODE DRAWING NO	
	3 PLC ±0.10	WEIGHT	A100779C=1438693	
	4 PLC ±0.10	CUSTOMER DRAWING	SCALE 2:1 SHEET 1 OF 4 REV A12	
	ANGLES ±1°			
MATERIAL	FINISH			

REVISIONS				
P	LTN	DESCRIPTION	DATE	APPD
-		SEE SHEET 1	-	-

		48	47	46	45	44	43	42	41		39	38	37	36	35		33	32	31	30	29	28		26	25	24	23	22	21	20	19	18			14	13	12		9	8	7		5	4	3		1	3-1438693-2
		48			45	44	43	42	41		39	38	37	36	35		33	32	31	30	29	28		26	25	24	23	22	21	20	19	18			14	13	12		9	8	7		5	4	3		1	3-1438693-1
		48	47	46	45	44	43	42	41		39	38	37	36	35		33	32	31	30	29	28		26	25	24	23	22	21	20	19	18			14	13	12	10	9	8		5	4	3		1	3-1438693-0 Δ	
		48	47	46	45	44	43		41		39	38	37	36	35		33	32	31	30	29			26				22	21	20	19	18			14	13	12	10	9			5	4			1	2-1438693-9	
		48	47	46	45	44	43		41		39	38	37	36	35		33	32	31	30	29			26				22	21	20	19	18			14	13	12		9		7		5	4			1	2-1438693-8
		48	47	46	45	44	43	42	41		39	38	37	36	35		33	32	31	30	29			26				22	21	20	19	18			14	13	12		9	8			5	4	3		1	2-1438693-7 Δ
		48	47	46	45	44	43	42	41		39	38	37	36	35		33	32	31	30	29	28		26				22	21	20	19	18			14	13	12		9	8	7		5	4	3		1	2-1438693-6
	49	48			45	44	43	42	41		39	38	37	36	35		33	32	31	30	29	28		26				22	21	20	19	18			14	13	12	10	9	8		5	4	3		1	2-1438693-5 Δ	
		48			45	44	43	42	41		39	38	37	36	35		33	32	31	30	29	28		26				22	21	20	19	18			14	13	12		9	8	7		5	4	3		1	2-1438693-4 Δ
		48	47	46	45	44	43	42	41		39	38	37	36	35		33	32	31	30	29	28		26				22	21	20	19	18			14	13	12	10	9	8	7		5	4	3		1	2-1438693-3
	49	48	47	46	45	44	43	42	41		39	38	37	36	35		33	32	31	30	29	28		26				22	21	20	19	18			14	13	12	10	9	8		5	4	3		1	2-1438693-2 Δ	
		48	47	46	45	44	43				39	38	37	36	35		33	32	31	30	29			26	25	24	23	22	21	20	19	18			14	13	12	10	9			5				1	2-1438693-1	
		48	47	46	45	44	43				39	38	37	36	35		33	32	31	30	29			26	25	24	23	22	21	20	19	18			14	13	12		9		7		5				1	2-1438693-0
		48	47	46	45	44	43	42	41		39	38	37	36	35		33	32	31	30	29			26	25	24	23	22	21	20	19	18			14	13	12	10	9	8		5	4			1	1-1438693-9	
		48	47	46	45	44	43	42	41		39	38	37	36	35		33	32	31	30	29			26	25	24	23	22	21	20	19	18			14	13	12		9	8	7		5	4			1	1-1438693-8
		48	47	46	45	44	43				39	38	37	36	35		33	32	31	30	29			26				22	21	20	19	18			14	13	12	10	9			5				1	1-1438693-7	
		48	47	46	45	44	43				39	38	37	36	35		33	32	31	30	29			26				22	21	20	19	18			14	13	12		9		7		5				1	1-1438693-6
		48	47	46	45	44	43	42	41		39	38	37	36	35		33	32	31	30	29			26				22	21	20	19	18			14	13	12	10	9	8		5	4			1	1-1438693-5	
		48	47	46	45	44	43	42	41		39	38	37	36	35		33	32	31	30	29			26				22	21	20	19	18			14	13	12		9	8	7		5	4			1	1-1438693-4
		48	47	46	45	44	43	42	41		39	38	37	36	35		33	32	31	30	29			26		24	23	22	21	20	19	18			14	13	12		9	8	7	6	5	4	3		1	1-1438693-3 Δ
		48	47	46	45	44	43	42	41		39	38	37	36	35		33	32	31	30	29			26		24	23	22	21	20	19	18			14	13	12	10	9	8		6	5	4	3		1	1-1438693-2 Δ
		48	47	46	45	44	43	42	41		39	38	37	36	35		33	32	31	30	29			26				22	21	20	19	18			14	13	12	10	9	8	7		5	4	3		1	1-1438693-1 Δ
		48			45	44	43	42	41		39	38	37	36	35		33	32	31	30	29			26		24	23	22	21	20	19	18			14	13	12	10	9	8		6	5	4	3		1	1-1438693-0 Δ
		48	47	46	45	44	43	42	41		39	38	37	36	35		33	32	31	30	29			26	25	24	23	22	21	20	19	18			14	13	12		9	8	7		5	4	3		1	1438693-9
		48			45	44	43	42	41		39	38	37	36	35		33	32	31	30	29			26	25	24	23	22	21	20	19	18			14	13	12		9	8	7		5	4	3		1	1438693-8
		48			45	44	43	42	41		39	38	37	36	35		33	32	31	30	29			26	25	24	23	22	21	20	19	18			14	13	12	10	9	8		5	4	3		1	1438693-7 Δ	
		48	47	46	45	44	43	42	41		39	38	37	36	35		33	32	31	30	29			26	25	24	23	22	21	20	19	18			14	13	12	10	9	8		5	4	3		1	1438693-6 Δ	
	49	48			45	44	43	42	41		39	38	37	36	35		33	32	31	30	29			26				22	21	20	19	18			14	13	12	10	9	8		5	4	3		1	1438693-5	
CAVITIES WITH A NUMERIC SYMBOL INDICATES CLOSED TERMINAL LOCATIONS		48			45	44	43	42	41		39	38	37	36	35		33	32	31	30	29			26				22	21	20	19	18			14	13	12		9	8	7		5	4	3		1	1438693-4 Δ
		48	47	46	45	44	43	42	41		39	38	37	36	35		33	32	31	30	29			26				22	21	20	19	18			14	13	12		9	8	7		5	4	3		1	1438693-3 Δ
BLANK CAVITIES INDICATES OPEN TERMINAL HOLE LOCATIONS	49	48	47	46	45	44	43	42	41		39	38	37	36	35		33	32	31	30	29			26				22	21	20	19	18			14	13	12	10	9	8		5	4	3		1	1438693-2 Δ	
																																														1	1438693-1	

KEYING OPTION C

CAVITIES WITH A NUMERIC SYMBOL INDICATES CLOSED TERMINAL LOCATIONS

BLANK CAVITIES INDICATES OPEN TERMINAL HOLE LOCATIONS

TERMINAL HOLE POSITION

PIN-OUT CHART

ASSEMBLY PART NUMBER

THIS DRAWING IS A CONTROLLED DOCUMENT.

APPROVED: **TE** Connectivity

DATE: 21 JUL 2004

BY: B. CRISAMORE

CHECKED: M. HITCHCOCK

APPROVED: C. MARTIN

DATE: 21 JUL 2004

NAME: PCM

PRODUCT SPEC: 50-WAY HARNESS ASSEMBLY

APPLICATION SPEC: KEY C

SIZE: A

CAGE CODE: 00779

DRAWING NO: 1438693

WEIGHT: -

CUSTOMER DRAWING

SCALE: 2:1

SHEET: 3 OF 4

REVISIONS				
P	LTN	DESCRIPTION	DATE	APVD
-		SEE SHEET 1	-	-

KEYING OPTION C			48	47	46	45	44	43					39	38	37	36	35			33	32	31	30	29			26					22	21	20	19	18					14	13	12			10	9			6	5			1	4-1438693-6				
			48	47	46	45	44	43					39	38	37	36	35			33	32	31	30	29			26					22	21	20	19	18					14	13	12			9	7	6	5			1	4-1438693-5						
			48	47	46	45	44	43	42	41			39	38	37	36	35			33	32	31	30	29			26					22	21	20	19	18					14	13	12			10	9	8			6	5	4			1	4-1438693-4		
			48	47	46	45	44	43	42	41			39	38	37	36	35			33	32	31	30	29			26					22	21	20	19	18					14	13	12			9	8	7	6	5	4			1	4-1438693-3				
			48	47	46	45	44	43	42	41			39	38	37	36	35			33	32	31	30	29	28			26					22	21	20	19	18					14	13	12			9	8	7	6	5	4	3			1	4-1438693-2		
			48	47	46	45	44	43	42	41			39	38	37	36	35			33	32	31	30	29			26					22	21	20	19	18					14	13	12			9	8	7	6	5	4	3			1	4-1438693-1			
		49	48	47	46	45	44	43	42	41			39	38	37	36	35			33	32	31	30	29			26					22	21	20	19	18					14	13	12			10	9	8			6	5	4	3			1	4-1438693-0	
		49	48	47	46	45	44	43	42	41			39	38	37	36	35			33	32	31	30	29	28			26					22	21	20	19	18					14	13	12			10	9	8			6	5	4	3			1	3-1438693-9
			48	47	46	45	44	43	42			39	38	37	36	35			33	32			29	28			26					22	21	20	19	18					14	13	12			10	9	8	7			5	4	3			1	3-1438693-8	
			48	47	46	45	44	43	42			39	38	37	36	35			33	32			29	28			26	25	24	23			22	21	20	19	18					14	13	12			9	8	7			5	4	3			1	3-1438693-6	

CAVITIES WITH A NUMERIC SYMBOL INDICATES CLOSED TERMINAL LOCATIONS

BLANK CAVITIES INDICATES OPEN TERMINAL HOLE LOCATIONS

TERMINAL HOLE POSITION

ASSEMBLY PART NUMBER

PIN-OUT CHART

THIS DRAWING IS A CONTROLLED DOCUMENT.		DWN B. CRISAMORE 21 JUL 2004 CHK M. HITCHCOCK 21 JUL 2004 APVD C. MARTIN 21 JUL 2004	
DIMENSIONS: mm 	TOLERANCES UNLESS OTHERWISE SPECIFIED: 0 PLC ±0.3 1 PLC ±0.10 3 PLC ±0.10 4 PLC ±0.10 ANGLES ±1° FINISH	NAME PCM PRODUCT SPEC 50-WAY HARNESS ASSEMBLY APPLICATION SPEC KEY C	SIZE A1 CAGE CODE 00779 DRAWING NO. 1438693
MATERIAL		WEIGHT	SCALE 2:1 SHEET 4 OF 4 REV A12
CUSTOMER DRAWING			