



Precision SMA Male to SMA Female Miter Right Angle Adapter, 27 GHz

RF Adapters Technical Data Sheet

PE91504

Configuration

- SMA Male Connector 1
- SMA Female Connector 2
- 50 Ohm
- Precision Design
- Miter Right Angle Body Geometry

Features

- Max VSWR of 1.2:1 up to 27 GHz
- 4 μ in. minimum contact plating
- Gold over Nickel Plated Beryllium Copper Contact

Applications

- General Purpose Test
- Precision Test & Measurement

Description

Pasternack's PE91504 SMA male to SMA female miter right angle adapter is part of our full line of RF components available for same-day shipping. The SMA connector mates mechanically with commercially available 3.5mm and 2.92mm (K) connectors. Our SMA to SMA adapter has a male to female gender configuration built of durable stainless steel in a precision design. PE91504 SMA male to SMA female adapter operates to 27 GHz. The Pasternack RF adapter provides excellent VSWR of 1.2:1 maximum. This miter right angle SMA to SMA adapter allows for easier connections in tight spaces.

RF adapters are often used to enable connections between two connector types that would otherwise not mate. Certain adapter configurations can also be used to protect connectors on expensive equipment where the number of connect/disconnect cycles is high. An RF, microwave or millimeter wave adapter is connected to the equipment, and the commonly changed connection is made with the adapter which can be easily replaced when it wears out after high usage; such adapters are referred to as connector savers. Pasternack also offers bulkhead, panel mount, hermetically sealed, reverse polarity, and isolated ground adapter varieties to serve all of your RF, microwave and millimeter wave needs.

Electrical Specifications

Description	Minimum	Typical	Maximum	Units
Frequency Range	DC		27	GHz
VSWR			1.2:1	

Mechanical Specifications

Size	
Length	0.622 in [15.8 mm]
Width	0.315 in [8 mm]
Height	0.681 in [17.3 mm]
Weight	0.0191 lbs [8.66 g]

Click the following link (or enter part number in "SEARCH" on website) to obtain additional part information including price, inventory and certifications: [Precision SMA Male to SMA Female Miter Right Angle Adapter, 27 GHz PE91504](#)



Precision SMA Male to SMA Female Miter
Right Angle Adapter, 27 GHz

RF Adapters Technical Data Sheet

PE91504

Description	Connector 1	Connector 2
Type	SMA Male	SMA Female
Polarity	Standard	Standard
Hex Size	5/16 in.	

Material Specifications

Description	Connector 1		Connector 2	
	Material	Plating	Material	Plating
Type	SMA Male		SMA Female	
Contact	Beryllium Copper	Gold over Nickel 4μ in. minimum	Beryllium Copper	Gold over Nickel 4μ in. minimum
Insulation	PTFE		PTFE	
Outer Conductor			Passivated Stainless Steel	
Body	Passivated Stainless Steel		Passivated Stainless Steel	
Coupling Nut	Passivated Stainless Steel			

Compliance Certifications (see [product page](#) for current document)

Precision SMA Male to SMA Female Miter Right Angle Adapter, 27 GHz from Pasternack Enterprises has same day shipment for domestic and International orders. Our RF, microwave and millimeter wave products maintain a 99.4% availability and are part of the broadest selection in the industry.

Click the following link (or enter part number in "SEARCH" on website) to obtain additional part information including price, inventory and certifications: [Precision SMA Male to SMA Female Miter Right Angle Adapter, 27 GHz PE91504](#)

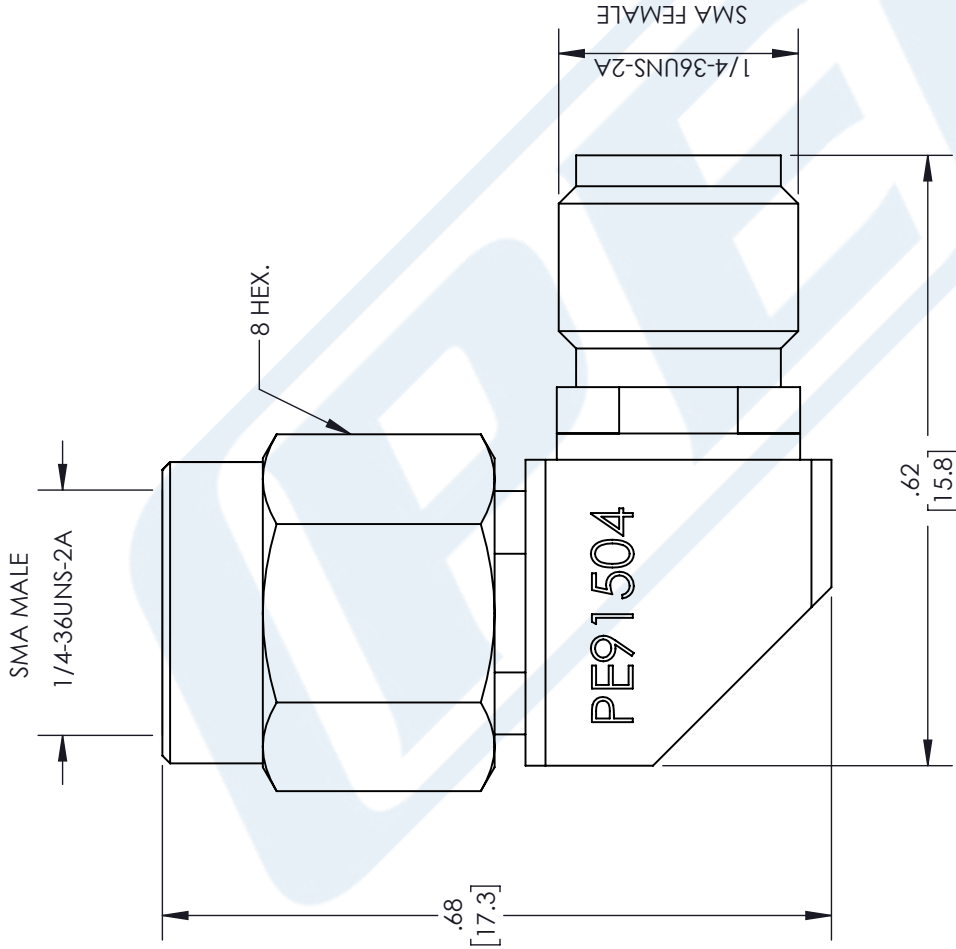
URL: <https://www.pasternack.com/sma-male-sma-female-miter-right-angle-adapter-pe91504-p.aspx>

The information contained in this document is accurate to the best of our knowledge and representative of the part described herein. It may be necessary to make modifications to the part and/or the documentation of the part, in order to implement improvements. Pasternack reserves the right to make such changes as required. Unless otherwise stated, all specifications are nominal. Pasternack does not make any representation or warranty regarding the suitability of the part described herein for any particular purpose, and Pasternack does not assume any liability arising out of the use of any part or documentation.

PE91504 CAD Drawing

Precision SMA Male to SMA Female Miter Right Angle Adapter, 27 GHz

REVISIONS			
REV.	DESCRIPTION	DATE	APPROVED
A	INITIAL RELEASE	02/15/2021	SELLIS



UNLESS OTHERWISE SPECIFIED
LEADING DIMENSIONS ARE INCHES
DIMENSIONS IN [] ARE MILLIMETERS

TOLERANCES:
 .X = ±.2 [5.08] FRACTIONS ± 1/32
 .XX = ±.02 [.51] ANGLES ± 1°
 .XXX = ±.005 [.13]

CABLE LENGTH (L) TOLERANCES:
 L ≤ 12 [305] = +1 [25] / -0
 12 [305] < L ≤ 60 [1524] = +2 [51] / -0
 60 [1524] < L ≤ 120 [3048] = +4 [102] / -0
 120 [3048] < L ≤ 300 [7620] = +6 [152] / -0
 300 [7620] < L = +5%L / -0

ALL DIMENSIONS SHOWN
ARE FOR REFERENCE ONLY.

PE PASTERNAK
an INFINITI® brand

Pasternack Enterprises, Inc.
 P. O. Box 16759, Irvine, CA 92623.
 Phone: 1.949.261.1920 | 1.866.727.8376
 Fax: 1.949.261.7451
 Website: www.pasternack.com
 E-mail: sales@pasternack.com

SIZE A CAGE CODE 53919 DRAWN BY MVEERAPPAN ITEM NO. PE91504

THIRD-ANGLE PROJECTION

THE INFORMATION AND DESIGN IN THIS DOCUMENT IS THE PROPERTY OF PASTERNAK CORPORATION ALL RIGHTS RESERVED.

SHEET 1 OF 1

SCALE N/A

REV A