

# SP-H 2,5/ 1-M GNYE - Plug

3210839

<https://www.phoenixcontact.com/us/products/3210839>



Please be informed that the data shown in this PDF document is generated from our online catalog. Please find the complete data in the user documentation. Our general terms of use for downloads are valid.



Plug, nom. voltage: 500 V, nominal current: 24 A, number of positions: 1, connection method: Spring-cage connection, Rated cross section: 2.5 mm<sup>2</sup>, cross section: 0.08 mm<sup>2</sup>- 4 mm<sup>2</sup>, color: green-yellow

## Product description

Connector element center, left housing with engagement pin, right opened without cover

## Your advantages

- Cable housing can be snapped on to the plugs, see figure below
- The plug with spring-cage connection is assembled directly on site by snapping together single-position plug elements
- The ST-COMBI plugs for self-assembly provide solutions that users can implement themselves
- Tested for railway applications

## Commercial data

Item number	3210839
Packing unit	1 pc
Minimum order quantity	50 pc
Note	Made to order (non-returnable)
Sales key	BE02
Product key	BE2144
Catalog page	Page 319 (C-1-2019)
GTIN	4046356411820
Weight per piece (including packing)	3.172 g
Weight per piece (excluding packing)	3.159 g
Customs tariff number	85366990
Country of origin	PL

# SP-H 2,5/ 1-M GNYE - Plug



3210839

<https://www.phoenixcontact.com/us/products/3210839>

## Technical data

### Product properties

Product type	Terminal plug
Number of positions	1
Pitch	5.2 mm
Potentials	1

### Insulation characteristics

Overvoltage category	III
Degree of pollution	3

### Electrical properties

Rated surge voltage	6 kV
---------------------	------

### Connection data

Nominal cross section	2.5 mm <sup>2</sup>
Stripping length	8 mm ... 10 mm
Internal cylindrical gage	A3
Connection in acc. with standard	IEC 61984
Conductor cross section rigid	0.08 mm <sup>2</sup> ... 4 mm <sup>2</sup>
Cross section AWG	28 ... 12 (converted acc. to IEC)
Conductor cross section flexible	0.08 mm <sup>2</sup> ... 2.5 mm <sup>2</sup>
Conductor cross section, flexible [AWG]	28 ... 14 (converted acc. to IEC)
Conductor cross-section flexible (ferrule without plastic sleeve)	0.14 mm <sup>2</sup> ... 2.5 mm <sup>2</sup>
Flexible conductor cross section (ferrule with plastic sleeve)	0.14 mm <sup>2</sup> ... 2.5 mm <sup>2</sup>
2 conductors with the same cross section, flexible, with TWIN ferrule with plastic sleeve	0.5 mm <sup>2</sup>
Nominal current	24 A
Maximum load current	24 A (with 4 mm <sup>2</sup> conductor cross section)
Nominal voltage	500 V
Nominal cross section	2.5 mm <sup>2</sup>

### Dimensions

Width	5.2 mm
Height	15.8 mm
Depth	39 mm
Length	15.8 mm
Pitch	5.2 mm

### Material specifications

Color	green-yellow
Flammability rating according to UL 94	V0
Insulating material group	I

# SP-H 2,5/ 1-M GNYE - Plug



3210839

<https://www.phoenixcontact.com/us/products/3210839>

Insulating material	PA
Static insulating material application in cold	-60 °C
Temperature index of insulation material (DIN EN 60216-1 (VDE 0304-21))	130 °C
Relative insulation material temperature index (Elec., UL 746 B)	130 °C
Fire protection for rail vehicles (DIN EN 45545-2) R22	HL 1 - HL 3
Fire protection for rail vehicles (DIN EN 45545-2) R23	HL 1 - HL 3
Fire protection for rail vehicles (DIN EN 45545-2) R24	HL 1 - HL 3
Fire protection for rail vehicles (DIN EN 45545-2) R26	HL 1 - HL 3
Calorimetric heat release NFPA 130 (ASTM E 1354)	28 MJ/kg
Surface flammability NFPA 130 (ASTM E 162)	passed
Specific optical density of smoke NFPA 130 (ASTM E 662)	passed
Smoke gas toxicity NFPA 130 (SMP 800C)	passed

## Environmental and real-life conditions

### Ambient conditions

Ambient temperature (operation)	-60 °C ... 105 °C (max. short-term operating temperature RTI Elec.)
Ambient temperature (storage/transport)	-25 °C ... 60 °C (for a short time, not exceeding 24 h, -60 °C to +70 °C)
Ambient temperature (assembly)	-5 °C ... 70 °C
Ambient temperature (actuation)	-5 °C ... 70 °C
Permissible humidity (storage/transport)	30 % ... 70 %

## Standards and regulations

Connection in acc. with standard	IEC 61984
----------------------------------	-----------

# SP-H 2,5/ 1-M GNYE - Plug

3210839

<https://www.phoenixcontact.com/us/products/3210839>



## Drawings

### Circuit diagram



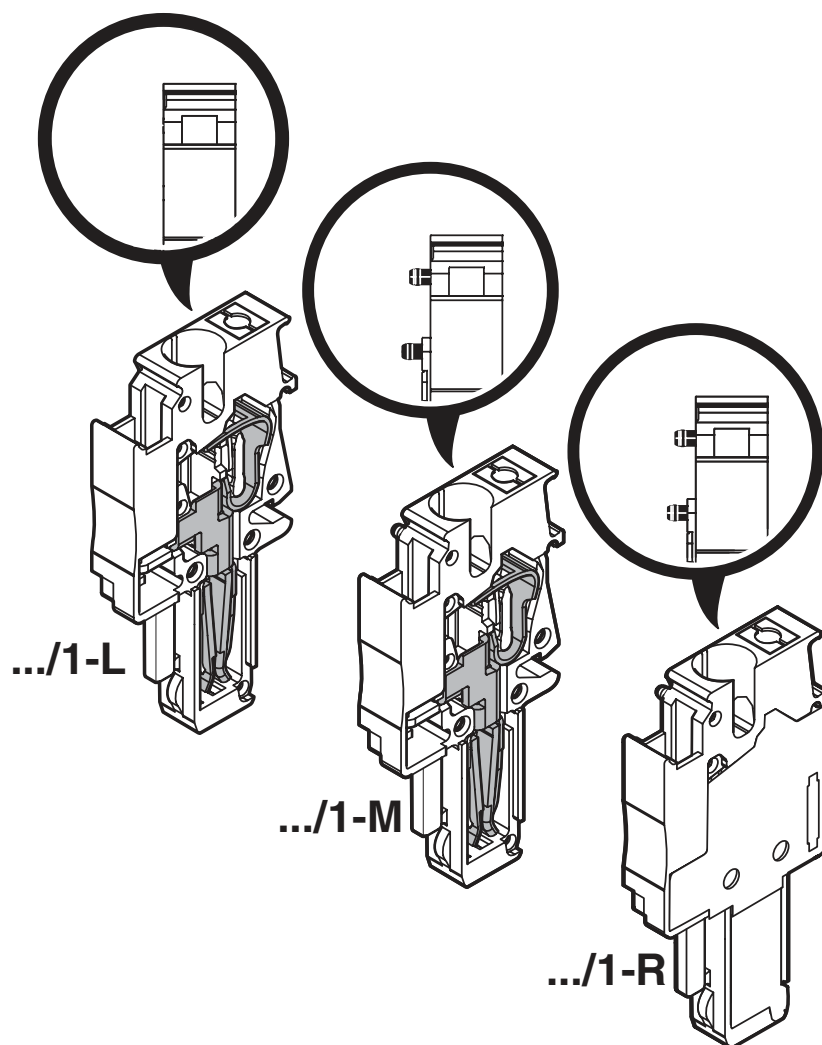
# SP-H 2,5/ 1-M GNYE - Plug

3210839

<https://www.phoenixcontact.com/us/products/3210839>



Schematic diagram



# SP-H 2,5/ 1-M GNYE - Plug



3210839

<https://www.phoenixcontact.com/us/products/3210839>

## Approvals

To download certificates, visit the product detail page: <https://www.phoenixcontact.com/us/products/3210839>



### IECEE CB Scheme

Approval ID: DE1-62736/B1/B2



### EAC

Approval ID: RU C-DE.BL08.B.00511



### VDE Zeichengenehmigung

Approval ID: 40019518

	Nominal voltage $U_N$	Nominal current $I_N$	Cross section AWG	Cross section $\text{mm}^2$
Only flexible conductors	500 V	-	-	0.2 - 2.5
Only rigid conductors	500 V	-	-	0.2 - 4



### cULus Recognized

Approval ID: E60425



### cULus Recognized

Approval ID: E60425

# SP-H 2,5/ 1-M GNYE - Plug

3210839

<https://www.phoenixcontact.com/us/products/3210839>



## Classifications

### ECLASS

ECLASS-11.0	27141151
ECLASS-12.0	27141151
ECLASS-13.0	27250306

### ETIM

ETIM 8.0	EC002021
----------	----------

### UNSPSC

UNSPSC 21.0	39121400
-------------	----------

# SP-H 2,5/ 1-M GNYE - Plug

3210839

<https://www.phoenixcontact.com/us/products/3210839>



## Environmental product compliance

China RoHS	Environmentally friendly use period: unlimited = EFUP-e
	No hazardous substances above threshold values



# SP-H 2,5/ 1-M GNYE - Plug

3210839

<https://www.phoenixcontact.com/us/products/3210839>



## Accessories

### PZ/2 - Strain relief

3040627

<https://www.phoenixcontact.com/us/products/3040627>



Strain relief, length: 48.7 mm, width: 9.3 mm, height: 48.7 mm, number of positions: 2, color: black

---

### PZ/4 - Strain relief

3040643

<https://www.phoenixcontact.com/us/products/3040643>



Strain relief, length: 48.7 mm, width: 19.6 mm, height: 48.7 mm, number of positions: 4, color: black

# SP-H 2,5/ 1-M GNYE - Plug

3210839

<https://www.phoenixcontact.com/us/products/3210839>



## PR - Latching

3040559

<https://www.phoenixcontact.com/us/products/3040559>



Latching, length: 29.8 mm, width: 4.4 mm, height: 29.8 mm, number of positions: 1, color: orange

---

## PR/2 - Latching

3040630

<https://www.phoenixcontact.com/us/products/3040630>



Latching, length: 29.8 mm, width: 10 mm, height: 29.8 mm, number of positions: 2, color: orange

# SP-H 2,5/ 1-M GNYE - Plug

3210839

<https://www.phoenixcontact.com/us/products/3210839>



## PRT/2 - Latching

3040631

<https://www.phoenixcontact.com/us/products/3040631>



Latching, can only be released using a screwdriver, length: 23.2 mm, width: 9 mm, height: 23.2 mm, number of positions: 2, color: orange

---

## PRZ - Latching

3040614

<https://www.phoenixcontact.com/us/products/3040614>



Latching, number of positions: 2, length: 64 mm, color: orange

# SP-H 2,5/ 1-M GNYE - Plug

3210839

<https://www.phoenixcontact.com/us/products/3210839>



## PH 2,5/ 2 - Cable housing

3209691

<https://www.phoenixcontact.com/us/products/3209691>



Cable housing, pitch: 10.4 mm, length: 19.9 mm, width: 10.4 mm, height: 19.9 mm, number of positions: 2, color: gray

---

## PH 2,5/ 3 - Cable housing

3209701

<https://www.phoenixcontact.com/us/products/3209701>



Cable housing, pitch: 15.6 mm, length: 19.9 mm, width: 15.6 mm, height: 19.9 mm, number of positions: 3, color: gray

# SP-H 2,5/ 1-M GNYE - Plug

3210839

<https://www.phoenixcontact.com/us/products/3210839>



## PH 2,5/ 4 - Cable housing

3209714

<https://www.phoenixcontact.com/us/products/3209714>



Cable housing, pitch: 20.8 mm, length: 19.9 mm, width: 20.8 mm, height: 19.9 mm, number of positions: 4, color: gray

---

## PH 2,5/ 5 - Cable housing

3209727

<https://www.phoenixcontact.com/us/products/3209727>



Cable housing, pitch: 26 mm, length: 19.9 mm, width: 26 mm, height: 19.9 mm, number of positions: 5, color: gray

# SP-H 2,5/ 1-M GNYE - Plug

3210839

<https://www.phoenixcontact.com/us/products/3210839>



## PH 2,5/ 6 - Cable housing

3209730

<https://www.phoenixcontact.com/us/products/3209730>



Cable housing, pitch: 31.2 mm, length: 19.9 mm, width: 31.2 mm, height: 19.9 mm, number of positions: 6, color: gray

---

## PH 2,5/ 7 - Cable housing

3209743

<https://www.phoenixcontact.com/us/products/3209743>



Cable housing, pitch: 36.4 mm, length: 19.9 mm, width: 36.4 mm, height: 19.9 mm, number of positions: 7, color: gray

# SP-H 2,5/ 1-M GNYE - Plug

3210839

<https://www.phoenixcontact.com/us/products/3210839>



## PH 2,5/ 8 - Cable housing

3209756

<https://www.phoenixcontact.com/us/products/3209756>



Cable housing, pitch: 41.6 mm, length: 19.9 mm, width: 41.6 mm, height: 19.9 mm, number of positions: 8, color: gray

---

## PH 2,5/ 9 - Cable housing

3209507

<https://www.phoenixcontact.com/us/products/3209507>



Cable housing, pitch: 46.8 mm, length: 19.9 mm, width: 46.8 mm, height: 19.9 mm, number of positions: 9, color: gray

# SP-H 2,5/ 1-M GNYE - Plug

3210839

<https://www.phoenixcontact.com/us/products/3210839>



## PH 2,5/10 - Cable housing

3209769

<https://www.phoenixcontact.com/us/products/3209769>



Cable housing, pitch: 52 mm, length: 19.9 mm, width: 52 mm, height: 19.9 mm, number of positions: 10, color: gray

---

## PH 2,5/11 - Cable housing

3209772

<https://www.phoenixcontact.com/us/products/3209772>



Cable housing, pitch: 57.2 mm, length: 19.9 mm, width: 57.2 mm, height: 19.9 mm, number of positions: 11, color: gray



# SP-H 2,5/ 1-M GNYE - Plug

3210839

<https://www.phoenixcontact.com/us/products/3210839>



## PH 2,5/12 - Cable housing

3209785

<https://www.phoenixcontact.com/us/products/3209785>



Cable housing, pitch: 62.4 mm, length: 19.9 mm, width: 62.4 mm, height: 19.9 mm, number of positions: 12, color: gray

---

## PH 2,5/13 - Cable housing

3209798

<https://www.phoenixcontact.com/us/products/3209798>



Cable housing, pitch: 67.6 mm, length: 19.9 mm, width: 67.6 mm, height: 19.9 mm, number of positions: 13, color: gray

# SP-H 2,5/ 1-M GNYE - Plug

3210839

<https://www.phoenixcontact.com/us/products/3210839>



## PH 2,5/14 - Cable housing

3209808

<https://www.phoenixcontact.com/us/products/3209808>



Cable housing, pitch: 72.8 mm, length: 19.9 mm, width: 72.8 mm, height: 19.9 mm, number of positions: 14, color: gray

---

## PH 2,5/15 - Cable housing

3209811

<https://www.phoenixcontact.com/us/products/3209811>



Cable housing, pitch: 78 mm, length: 19.9 mm, width: 78 mm, height: 19.9 mm, number of positions: 15, color: gray

## SP-H 2,5/ 1-M GNYE - Plug

3210839

<https://www.phoenixcontact.com/us/products/3210839>



## ST-BW - Actuation tool

1207608

<https://www.phoenixcontact.com/us/products/1207608>



Actuation tool, for all 2.5 mm<sup>2</sup> - 4.0 mm<sup>2</sup> spring-cages

---

## SP-H 2,5/ 1-L - Plug

3210787

<https://www.phoenixcontact.com/us/products/3210787>



Plug, nom. voltage: 500 V, nominal current: 24 A, number of positions: 1, connection method: Spring-cage connection, Rated cross section: 2.5 mm<sup>2</sup>, cross section: 0.08 mm<sup>2</sup> - 4 mm<sup>2</sup>, color: gray

## SP-H 2,5/ 1-M GNYE - Plug

3210839

<https://www.phoenixcontact.com/us/products/3210839>



## SP-H 2,5/ 1-L BU - Plug

3210790

<https://www.phoenixcontact.com/us/products/3210790>



Plug, nom. voltage: 500 V, nominal current: 24 A, number of positions: 1, connection method: Spring-cage connection, Rated cross section: 2.5 mm<sup>2</sup>, cross section: 0.08 mm<sup>2</sup>- 4 mm<sup>2</sup>, color: blue

---

## SP-H 2,5/ 1-L GNYE - Plug

3210800

<https://www.phoenixcontact.com/us/products/3210800>



Plug, nom. voltage: 500 V, nominal current: 24 A, number of positions: 1, connection method: Spring-cage connection, Rated cross section: 2.5 mm<sup>2</sup>, cross section: 0.08 mm<sup>2</sup>- 4 mm<sup>2</sup>, color: green-yellow

## SP-H 2,5/ 1-M GNYE - Plug

3210839

<https://www.phoenixcontact.com/us/products/3210839>



## SP-H 2,5/ 1-M - Plug

3210813

<https://www.phoenixcontact.com/us/products/3210813>



Plug, nom. voltage: 500 V, nominal current: 24 A, number of positions: 1, connection method: Spring-cage connection, Rated cross section: 2.5 mm<sup>2</sup>, cross section: 0.08 mm<sup>2</sup>- 4 mm<sup>2</sup>, color: gray

---

## SP-H 2,5/ 1-M BU - Plug

3210826

<https://www.phoenixcontact.com/us/products/3210826>



Plug, nom. voltage: 500 V, nominal current: 24 A, number of positions: 1, connection method: Spring-cage connection, Rated cross section: 2.5 mm<sup>2</sup>, cross section: 0.08 mm<sup>2</sup>- 4 mm<sup>2</sup>, color: blue

## SP-H 2,5/ 1-M GNYE - Plug

3210839

<https://www.phoenixcontact.com/us/products/3210839>



### SP-H 2,5/ 1-M GNYE - Plug

3210839

<https://www.phoenixcontact.com/us/products/3210839>



Plug, nom. voltage: 500 V, nominal current: 24 A, number of positions: 1, connection method: Spring-cage connection, Rated cross section: 2.5 mm<sup>2</sup>, cross section: 0.08 mm<sup>2</sup>- 4 mm<sup>2</sup>, color: green-yellow

---

### SP-H 2,5/ 1-R - Plug

3210842

<https://www.phoenixcontact.com/us/products/3210842>



Plug, nom. voltage: 500 V, nominal current: 24 A, number of positions: 1, connection method: Spring-cage connection, Rated cross section: 2.5 mm<sup>2</sup>, cross section: 0.08 mm<sup>2</sup>- 4 mm<sup>2</sup>, color: gray

## SP-H 2,5/ 1-M GNYE - Plug

3210839

<https://www.phoenixcontact.com/us/products/3210839>



## SP-H 2,5/ 1-R BU - Plug

3210855

<https://www.phoenixcontact.com/us/products/3210855>



Plug, nom. voltage: 500 V, nominal current: 24 A, number of positions: 1, connection method: Spring-cage connection, Rated cross section: 2.5 mm<sup>2</sup>, cross section: 0.08 mm<sup>2</sup>- 4 mm<sup>2</sup>, color: blue

---

## SP-H 2,5/ 1-R GNYE - Plug

3210868

<https://www.phoenixcontact.com/us/products/3210868>



Plug, nom. voltage: 500 V, nominal current: 24 A, number of positions: 1, connection method: Spring-cage connection, Rated cross section: 2.5 mm<sup>2</sup>, cross section: 0.08 mm<sup>2</sup>- 4 mm<sup>2</sup>, color: green-yellow

## SP-H 2,5/ 1-M GNYE - Plug

3210839

<https://www.phoenixcontact.com/us/products/3210839>



## MPS-MT - Test plugs

0201744

<https://www.phoenixcontact.com/us/products/0201744>



Test plugs, with solder connection up to 1 mm<sup>2</sup> conductor cross section, number of positions: 1, color: gray

---

## MPS-IH WH - Insulating sleeve

0201663

<https://www.phoenixcontact.com/us/products/0201663>

Insulating sleeve, color: white





# SP-H 2,5/ 1-M GNYE - Plug

3210839

<https://www.phoenixcontact.com/us/products/3210839>



## MPS-IH RD - Insulating sleeve

0201676

<https://www.phoenixcontact.com/us/products/0201676>

Insulating sleeve, color: red



---

## MPS-IH BU - Insulating sleeve

0201689

<https://www.phoenixcontact.com/us/products/0201689>

Insulating sleeve, color: blue



# SP-H 2,5/ 1-M GNYE - Plug

3210839

<https://www.phoenixcontact.com/us/products/3210839>



## MPS-IH YE - Insulating sleeve

0201692

<https://www.phoenixcontact.com/us/products/0201692>

Insulating sleeve, color: yellow



---

## MPS-IH GN - Insulating sleeve

0201702

<https://www.phoenixcontact.com/us/products/0201702>

Insulating sleeve, color: green



## SP-H 2,5/ 1-M GNYE - Plug

3210839

<https://www.phoenixcontact.com/us/products/3210839>



## MPS-IH GY - Insulating sleeve

0201728

<https://www.phoenixcontact.com/us/products/0201728>

Insulating sleeve, color: gray



---

## MPS-IH BK - Insulating sleeve

0201731

<https://www.phoenixcontact.com/us/products/0201731>

Insulating sleeve, color: black



# SP-H 2,5/ 1-M GNYE - Plug

3210839

<https://www.phoenixcontact.com/us/products/3210839>



## ISH 2,5/0,2 - Insulating sleeve

3002843

<https://www.phoenixcontact.com/us/products/3002843>



Insulating sleeve, color: white

---

## ISH 2,5/0,5 - Insulating sleeve

3002856

<https://www.phoenixcontact.com/us/products/3002856>



Insulating sleeve, color: gray

## SP-H 2,5/ 1-M GNYE - Plug

3210839

<https://www.phoenixcontact.com/us/products/3210839>



## ISH 2,5/1,0 - Insulating sleeve

3002869

<https://www.phoenixcontact.com/us/products/3002869>



Insulating sleeve, color: black

---

## ZBF 5:UNBEDRUCKT - Zack Marker strip, flat

0808642

<https://www.phoenixcontact.com/us/products/0808642>



Zack Marker strip, flat, Strip, white, unlabeled, can be labeled with: PLOTMARK, CMS-P1-PLOTTER, mounting type: snapped, for terminal block width: 5 mm, lettering field size: 5.1 x 5.2 mm, Number of individual labels: 10

# SP-H 2,5/ 1-M GNYE - Plug

3210839

<https://www.phoenixcontact.com/us/products/3210839>



## ZBF 5 CUS - Zack Marker strip, flat

0825025

<https://www.phoenixcontact.com/us/products/0825025>



Zack Marker strip, flat, can be ordered: Strip, white, labeled according to customer specifications, mounting type: snap into flat marker groove, for terminal block width: 5 mm, lettering field size: 5.15 x 5.15 mm, Number of individual labels: 10

---

## ZBF 5,LGS:FORTL.ZAHLEN - Zack Marker strip, flat

0808671

<https://www.phoenixcontact.com/us/products/0808671>



Zack Marker strip, flat, Strip, white, labeled, printed horizontally: consecutive numbers 1 ... 10, 11 ... 20, etc. up to 491 ... 500, mounting type: snapped, for terminal block width: 5 mm, lettering field size: 5.15 x 5.15 mm, Number of individual labels: 10

## SP-H 2,5/ 1-M GNYE - Plug

3210839

<https://www.phoenixcontact.com/us/products/3210839>



## ZBF 5,QR:FORTL.ZAHLEN - Zack Marker strip, flat

0808697

<https://www.phoenixcontact.com/us/products/0808697>



Zack Marker strip, flat, Strip, white, labeled, Printed vertically: consecutive numbers 1 ... 10, 11 ... 20, etc. up to 91 ... 100, mounting type: snapped, for terminal block width: 5 mm, lettering field size: 5.15 x 5.15 mm, Number of individual labels: 10

---

## ZBF 5,LGS:GERADE ZAHLEN - Zack Marker strip, flat

0810821

<https://www.phoenixcontact.com/us/products/0810821>



Zack Marker strip, flat, Strip, white, labeled, printed horizontally: consecutive even numbers 2 ... 20, 22 ... 40, etc. up to 82 ... 100, mounting type: snapped, for terminal block width: 5 mm, lettering field size: 5.15 x 5.15 mm, Number of individual labels: 10

## SP-H 2,5/ 1-M GNYE - Plug

3210839

<https://www.phoenixcontact.com/us/products/3210839>



## ZBF 5,LGS:UNGERADE ZAHLEN - Zack Marker strip, flat

0810863

<https://www.phoenixcontact.com/us/products/0810863>



Zack Marker strip, flat, Strip, white, labeled, printed horizontally: Odd numbers 1 - 19, 21 - 39, etc. up to 81 - 99, mounting type: snapped, for terminal block width: 5 mm, lettering field size: 5.15 x 5.15 mm, Number of individual labels: 10

---

## UC-TMF 5 - Marker for terminal blocks

0818153

<https://www.phoenixcontact.com/us/products/0818153>



Marker for terminal blocks, Sheet, white, unlabeled, can be labeled with: BLUEMARK ID COLOR, BLUEMARK ID, BLUEMARK CLED, PLOTMARK, CMS-P1-PLOTTER, mounting type: snapped, for terminal block width: 5.2 mm, lettering field size: 4.6 x 5.1 mm, Number of individual labels: 96



## SP-H 2,5/ 1-M GNYE - Plug

3210839

<https://www.phoenixcontact.com/us/products/3210839>



## UC-TMF 5 CUS - Marker for terminal blocks

0824638

<https://www.phoenixcontact.com/us/products/0824638>



Marker for terminal blocks, can be ordered: by sheet, white, labeled according to customer specifications, mounting type: snap into flat marker groove, for terminal block width: 5.2 mm, lettering field size: 4.6 x 5.1 mm, Number of individual labels: 96

---

## UCT-TMF 5 - Marker for terminal blocks

0828744

<https://www.phoenixcontact.com/us/products/0828744>



Marker for terminal blocks, Sheet, white, unlabeled, can be labeled with: TOPMARK NEO, TOPMARK LASER, BLUEMARK ID COLOR, BLUEMARK ID, BLUEMARK CLED, THERMOMARK PRIME, THERMOMARK CARD 2.0, THERMOMARK CARD, mounting type: snapped, for terminal block width: 5.2 mm, lettering field size: 4.4 x 4.7 mm, Number of individual labels: 72

# SP-H 2,5/ 1-M GNYE - Plug

3210839

<https://www.phoenixcontact.com/us/products/3210839>



## UCT-TMF 5 CUS - Marker for terminal blocks

0829658

<https://www.phoenixcontact.com/us/products/0829658>



Marker for terminal blocks, can be ordered: by sheet, white, labeled according to customer specifications, mounting type: snap into flat marker groove, for terminal block width: 5.2 mm, lettering field size: 4.4 x 4.7 mm, Number of individual labels: 72

---

Phoenix Contact 2023 © - all rights reserved

<https://www.phoenixcontact.com>

Phoenix Contact USA  
586 Fulling Mill Road  
Middletown, PA 17057, United States  
(+717) 944-1300  
[info@phoenixcon.com](mailto:info@phoenixcon.com)