

DRAWING MADE IN THIRD ANGLE PROJECTION

3

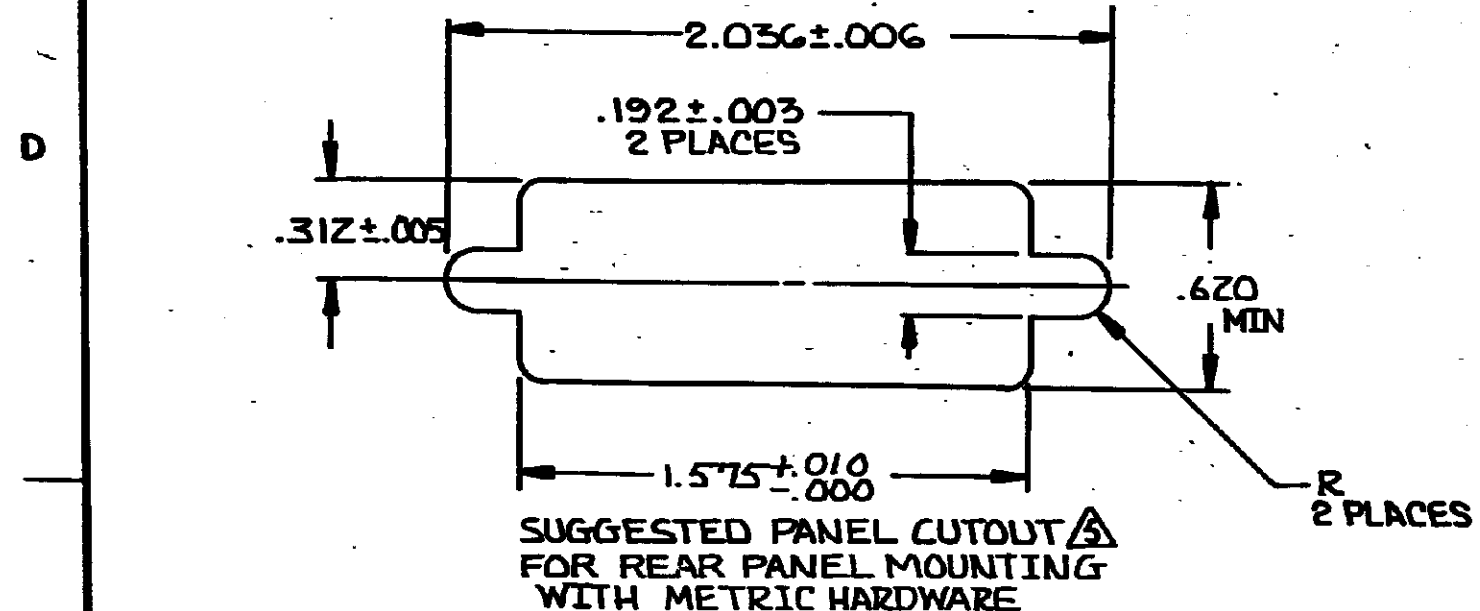
2

1

LOC DIST  
AA 21

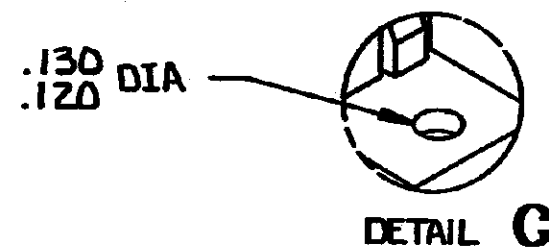
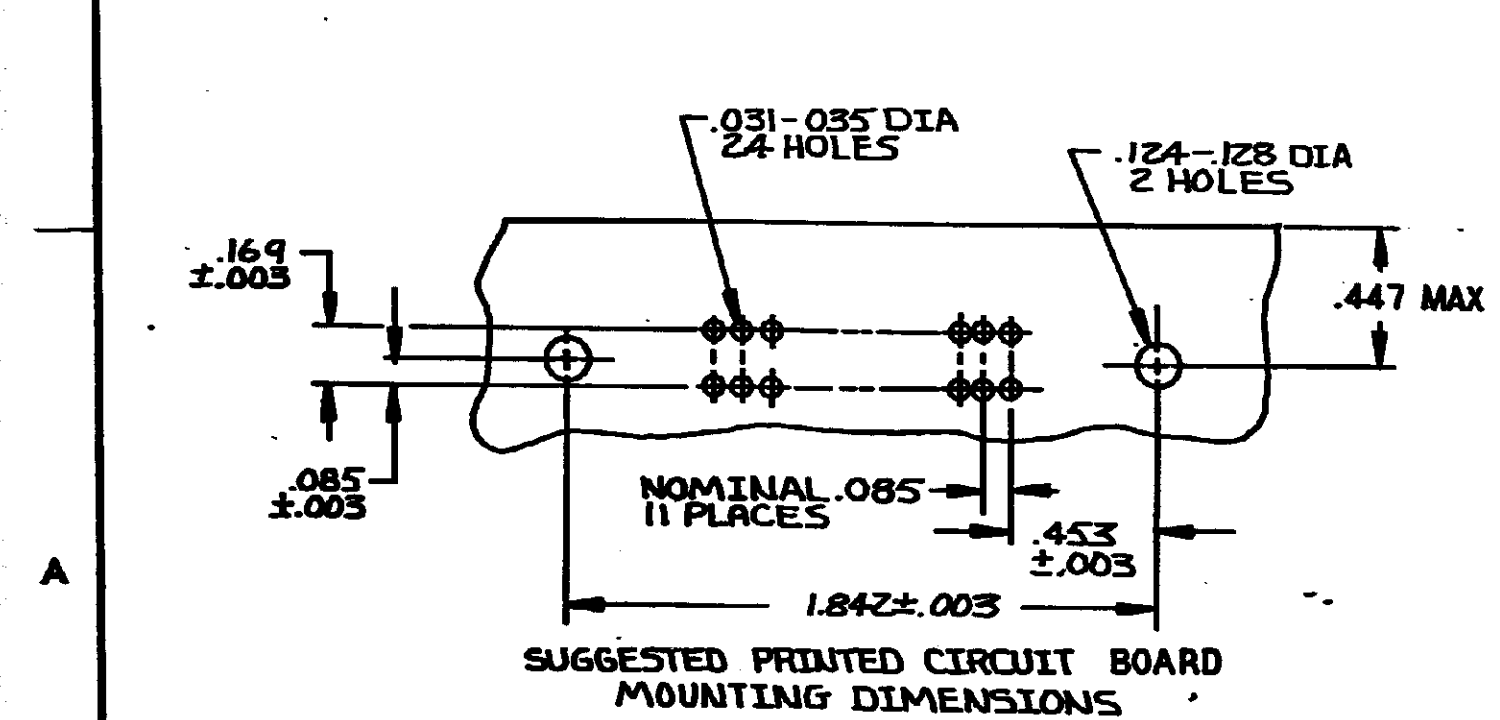
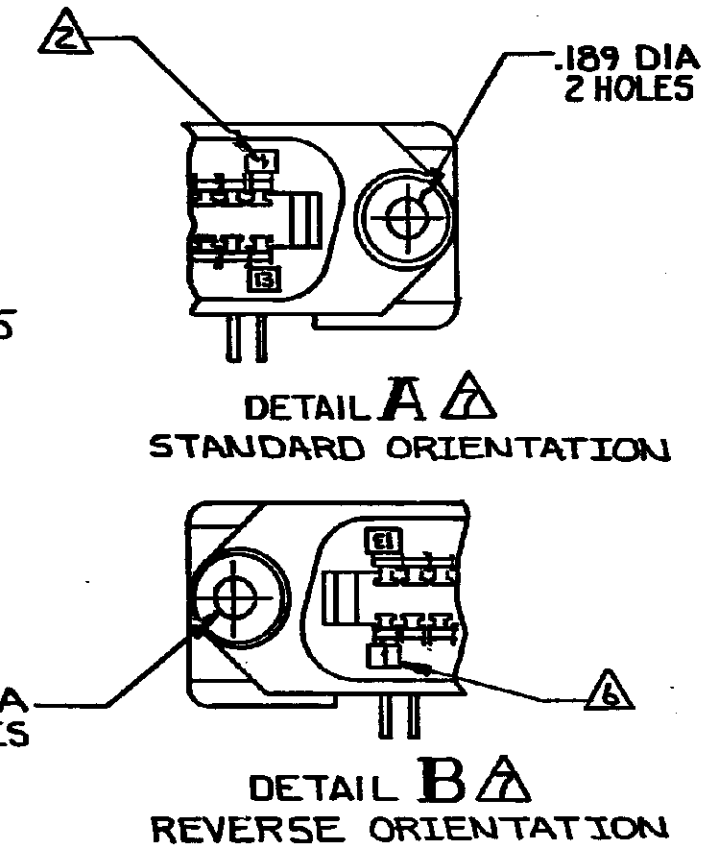
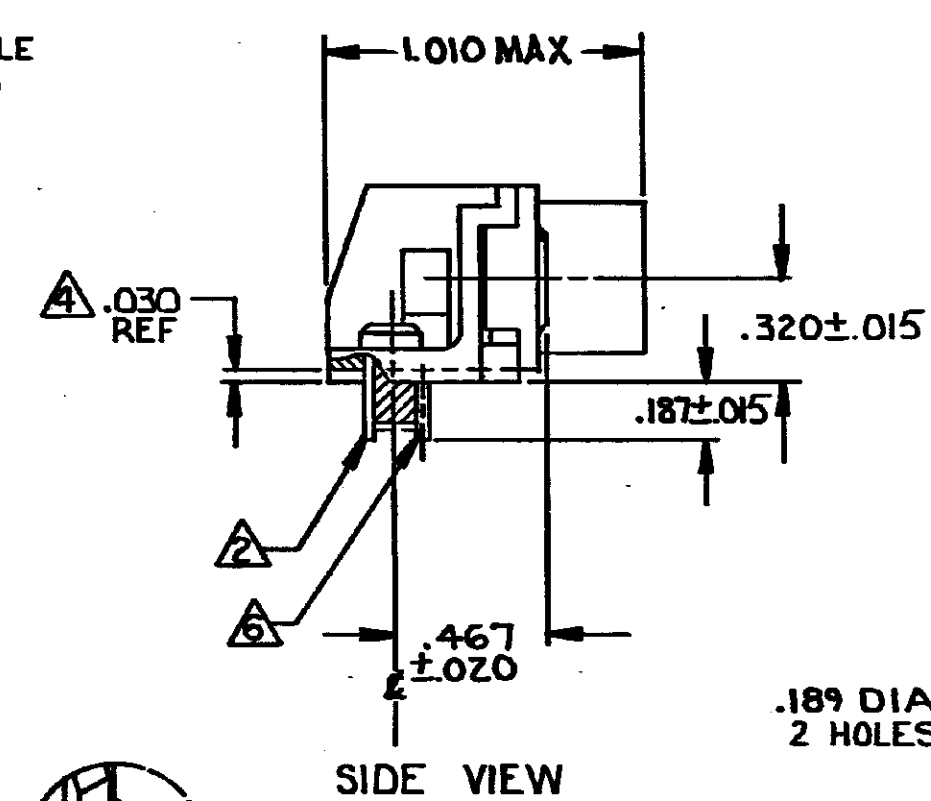
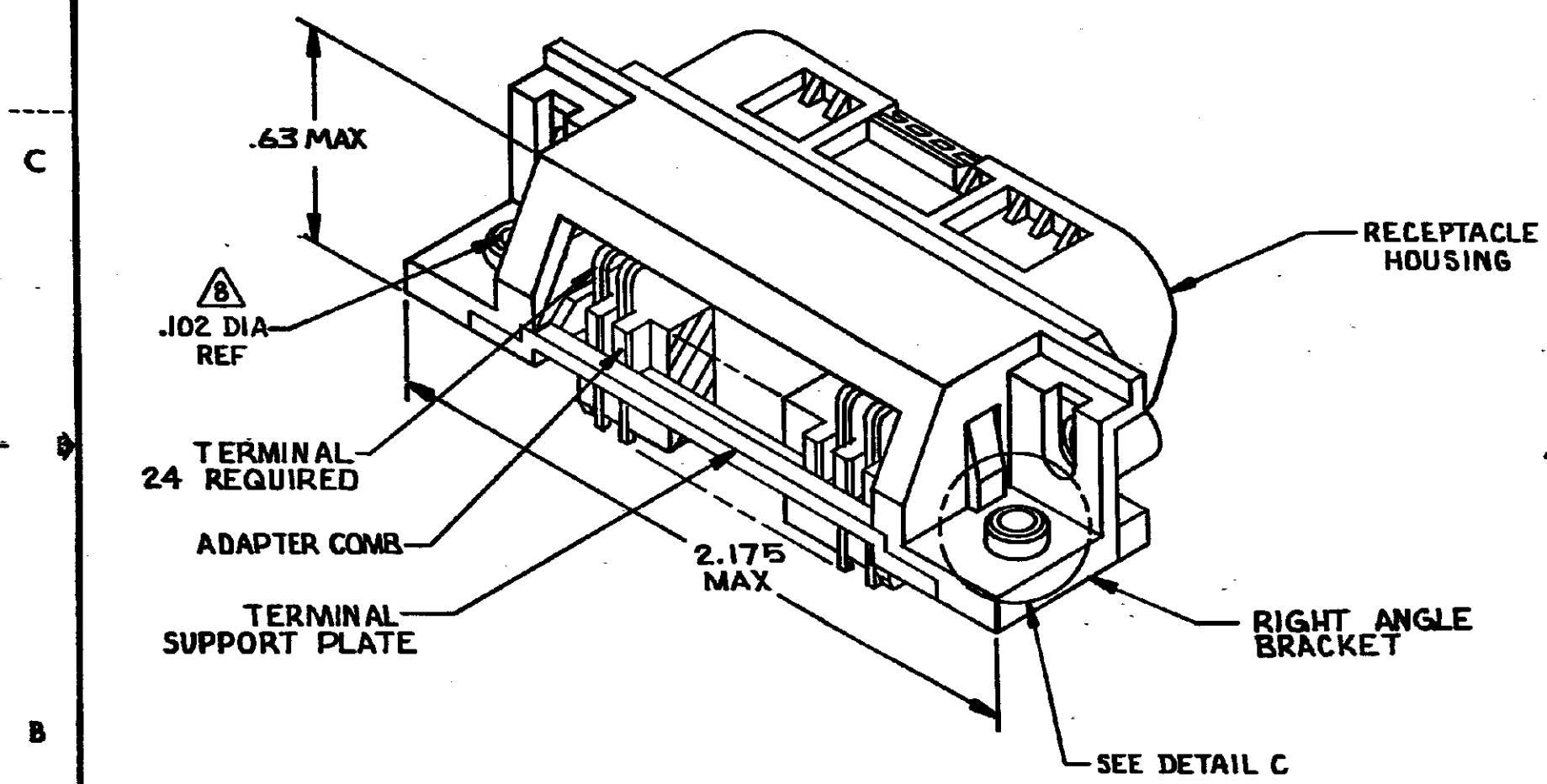
THIS DRAWING IS UNPUBLISHED  
 RELEASED FOR PUBLICATION FEBRUARY 9, 1982.  
 COPYRIGHT 1978 BY AMP INCORPORATED, HARRISBURG, PA. ALL INTERNATIONAL RIGHTS RESERVED. AMP PRODUCTS MAY BE COVERED BY U.S. AND FOREIGN PATENTS AND/OR PATENTS PENDING.

REVISIONS				
P	F	ZONE/LTR	DESCRIPTION	DATE APPROVED
J		J	OBsolete:- 3; ECN AA-6958	1-9-91 LHS AH



△ MATERIAL: HOUSING BRACKET PLATE AND COMB-THERMOPLASTIC (BLACK) 94 V-0 RATED. TERMINALS-TAILS-TIN LEAD OVER NICKEL PLATED HIGH STRENGTH COPPER ALLOY. MATING SURFACE-LOCALIZED GOLD OVER NICKEL PLATED HIGH STRENGTH COPPER ALLOY.

- △ TERMINAL 1 LOCATED IN THIS ROW FOR 552791-1.
- △ TERMINAL SUPPORT PLATE CLEARANCE FOR TERMINAL STRAIN RELIEF AND FLUX REMOVAL.
- △ PANEL THICKNESS RANGE: .062.
- △ TERMINAL 1 LOCATED IN THIS ROW FOR 552791-2 & -4.
- △ DETAILS A & B ARE VIEWED FROM MATING SIDE OF RECEPTACLE ASSEMBLY.
- △ FOR USE WITH A NO. 4 BT TYPE SELF-TAPPING SCREW.



TYPE OF MOUNTING	DESCRIPTION	PART NO
THRU-BOLT SEE DETAIL C	SEE DETAIL B	552791-4
SELF-TAPPING	SEE DETAIL B	552791-2
	SEE DETAIL A	552791-1

UNLESS OTHERWISE SPECIFIED DIMENSIONS ARE IN INCHES. TOLERANCES ON: DECIMALS ± .005 ANGLES ±	CONTRACT NO	AMP   AMP INCORPORATED Harrisburg, Pa. 17105	
	DR <i>K. J. Shelton 2-9-82</i>	NAME ASSEMBLY, RECEPTACLE, 24 POSITION RIGHT ANGLE, PRINTED CIRCUIT BOARD (CHAMP-LOK, THRU-BOLT & SELF-TAPPING, FOR USE WITH METRIC HARDWARE)	
MATERIAL	CHK <i>MD/riuel 2-26-82</i>	SIZE C	FSCM NO 00779
FINISH	APPD <i>S. Hove 3/2/82</i>	DRAWING NO 552791	
	APPD <i>AB K. Venturolo 3/2/82</i>	SCALE 2/1	SHEET 1 OF 1
	DSGN APPD		
	OTHER APPD		

AMP 1471-6 REV 2-81

CUSTOMER DRAWING

552791