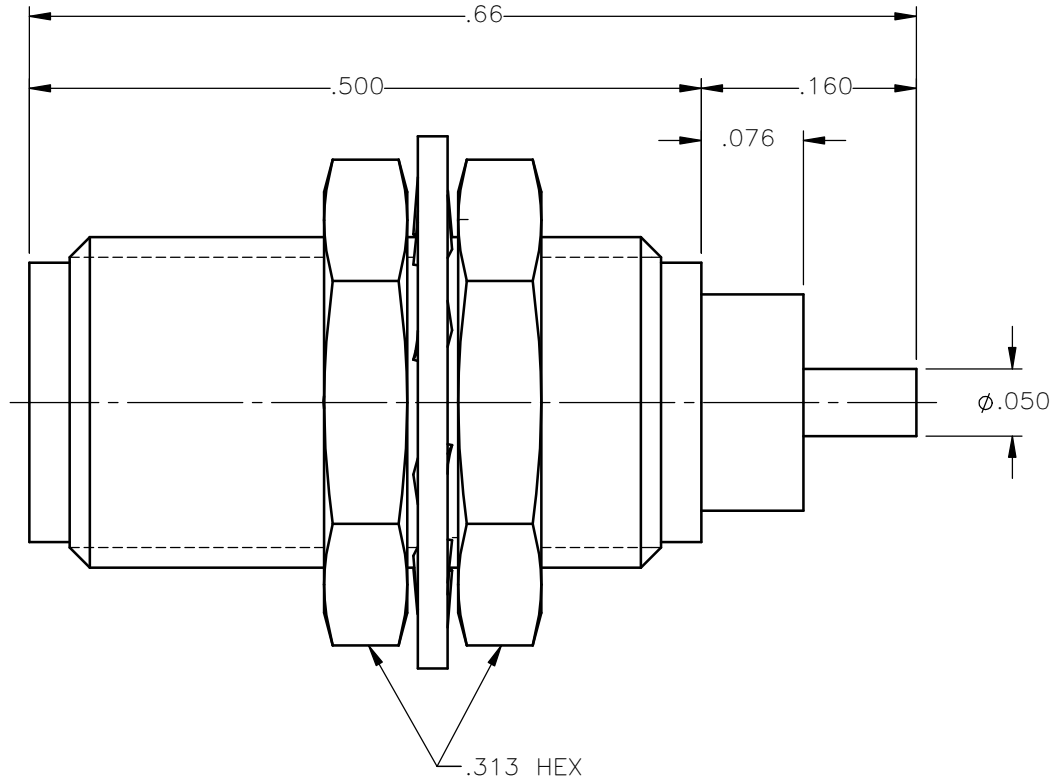


REVISIONS			
REV.	DESCRIPTION	DATE	APPROVED
A	INITIAL RELEASE	10/16/13	D.N.



NOTES:

MATERIALS:

1. BODY & JAM NUTS = STAINLESS STEEL PER ASTM A582, ALLOY 303, CONDITION "A".
2. INSULATOR = VIRGIN WHITE TEFLON PER ASTM D1710, GRADE 1, TYPE I, CLASS "B".
3. CONTACT = BERYLLIUM COPPER PER ASTM B196, ALLOY C17300, TEMPER TD04.
4. LOCKWASHER = PHOSPHOR BRONZE PER ASTM B139, COPPER ALLOY C53400, TEMPER H04.

FINISHES:

1. BODY & JAM NUTS = GOLD PLATE PER MIL-G-45204, TYPE II, CLASS 0, GRADE C, OVER .000050 TO .00010 STRESS FREE NICKEL PER QQ-N-290.
2. CONTACT = GOLD PLATE PER MIL-G-45204, TYPE II, CLASS 1, GRADE C, OVER .00010 TO .00020 STRESS FREE SULFAMATE NICKEL PER QQ-N-290.
3. LOCKWASHER = GOLD PLATE PER MIL-G-45204, TYPE II, CLASS 0, GRADE C, OVER .00010 TO .00020 COPPER STRIKE PER MIL-C-14550.

UNLESS OTHERWISE SPECIFIED
DIMENSIONS ARE IN INCHES
TOLERANCES ON

DWN:	DATE
D.N.	10/16/13
CHKD:	DATE
J.S.	10/16/13
APVD:	DATE
J.M.	10/16/13



Property of Radiall
This document cannot be reproduced or
communicated to a third party without prior
written permission of RADIALL.



SMA STRAIGHT BULKHEAD JACK
POST CONTACT RECEPTACLE

REFERENCE:

ORIGINATED: D.N.
DATE: 10/16/13

MATERIALS & FINISHES:
SEE NOTES

SIZE	FSCM NO.	DWG NO.	REV
A	19505	9013-1113-000	A
SCALE	THIRD ANGLE PROJECTION		SHEET 1 OF 1
7:1			

9013-1113-000