

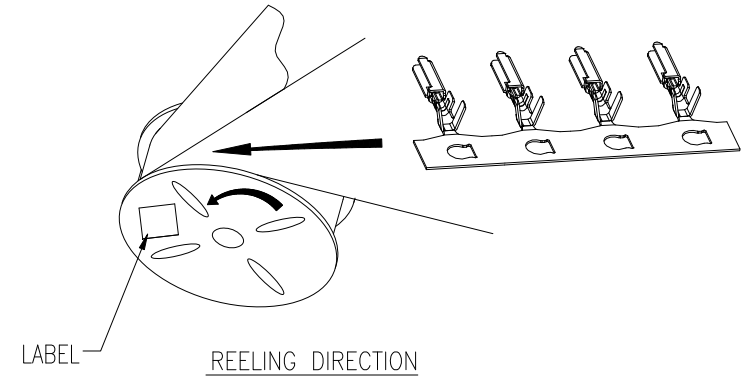
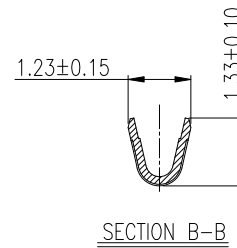
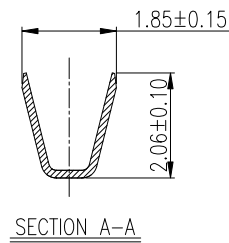
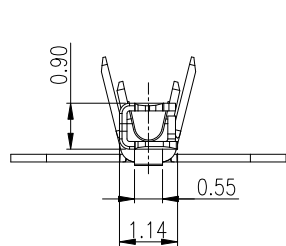
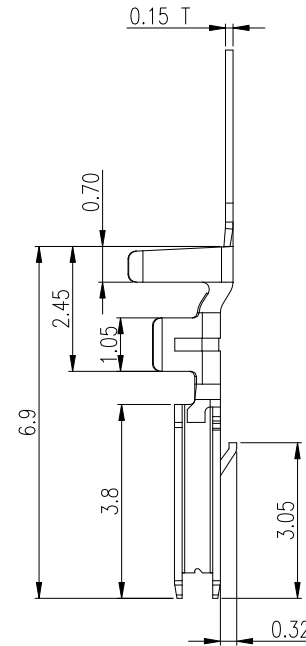
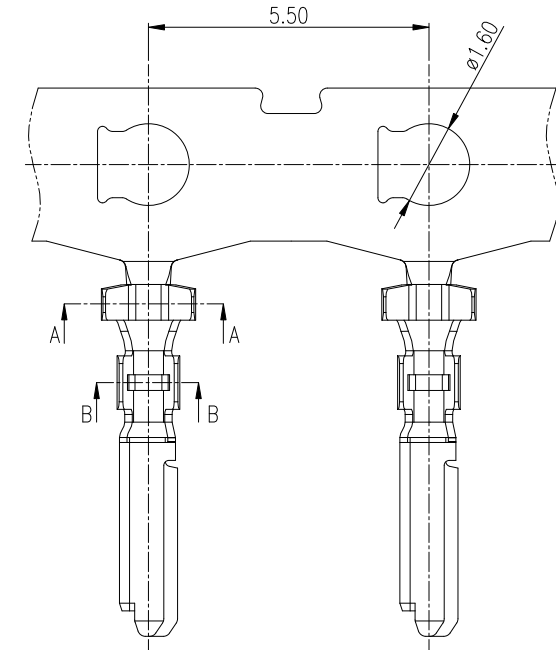
PRODUCT NUMBER  
10135176-00XLF

NOTE:

1. MATERIAL: COPPER ALLOY
2. PLATING: Ni UNDERPLATED, SEE P/N FOR DETAIL PLATING ON CONTACT AREA AND CRIMPING AREA
3. APPLICABLE WIRES: AWG#28 TO AWG#24, WITH INSULATION O.D.: 0.78mm TO 1.28mm
5. RoHS COMPLIANT
6. PART NUMBER SCHEME:  
10135176- 00 X LF

PLATING  
1: TIN OVERALL

7. THE TERMINAL IS USED WITH FCI HSG 10135175, AND MATE WITH FCI RECEPTACLE CONNECTOR 10135177.
8. PRODUCT SPECIFICATION: GS-12-1321
9. PACKAGE SPECIFICATION: GS-14-2471



mat'l. code		surface		tolerance	projection	product family	
ltr		ecn no	dr	date	tolerances unless otherwise specified		MINITEK 1.5mm WTB
A			TAI	2015-06-16	angles	X.X±0.3	title
					linear	X.XX±0.20	MINITEK 1.5mm WIRE CONNECTOR, PLUG CRIMP TERMINAL
					±2'	X.XXX±0.100	scale
					dr	KENNY TAI	2015-05-08
					enr	KENNY TAI	2015-05-08
					chr	KENNY TAI	2015-06-10
					appd	PM ZHENG	2015-06-16
sheet index	revision sheet	A	1				
						sheet 1 of 1 size	
						10135176 A4	
						type CUSTOMER Drawing	