



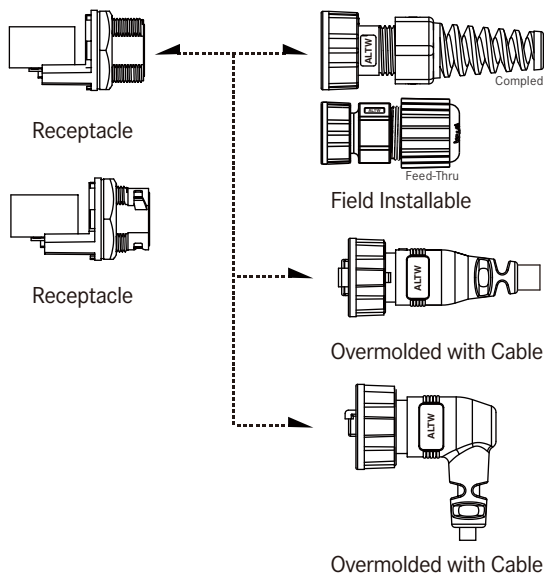
## CATALOGUE

# RJ Connector

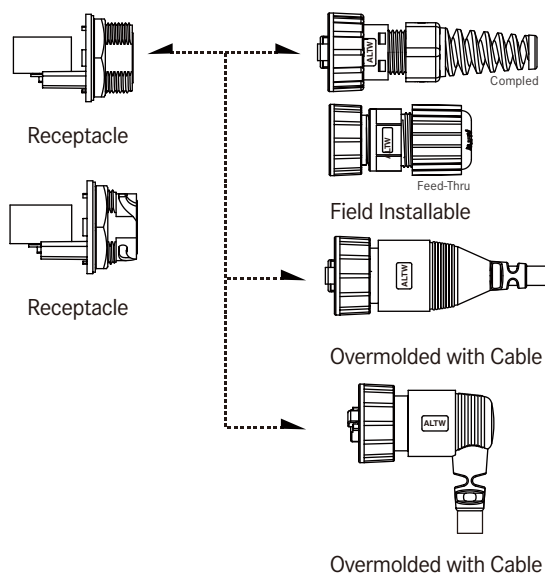


## Range Overview

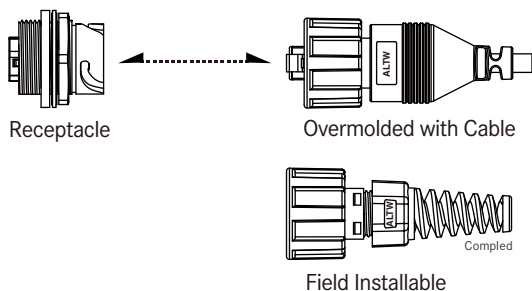
### Receptacle and Mating Pair (Middle Size 13/16"-28UNS)



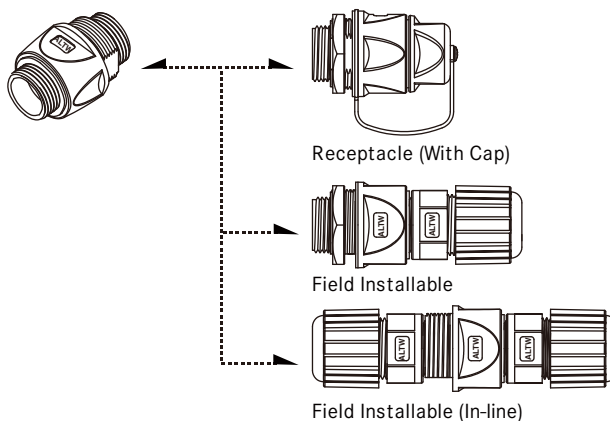
### Receptacle and Mating Pair (Large Size 1"20-UNEF)



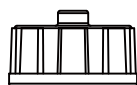
### Receptacle and Mating Pair (ODVA)



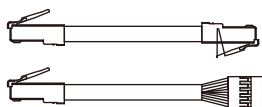
### I Adaptor



### Accessories



Waterproof Cap  
See page 21-17



Patch Cable (Double-ended)  
See page 21-24

\* Design and specification are subject to change without notice.

## Specification

<b>Identifications</b>	Middle Size: 13/16"-28 UNS (Cat. 5e) Large Size: 1"-20 UNS (Cat. 5e) ODVA (Cat. 5e)
<b>Description</b>	Receptacle Receptacle With Cable Overmolded with Cable Field Installable
<b>Current Rating / Data</b>	100 Base, 100 Base T and 1000 Base T Networks Cat 5E per TIA or EIA 568B Class D per ISO / IEC 11801
<b>Material</b>	Connector Body: -Housing: Polyester, UL94V-0, UV Resistant -Fastening Nut (Panel Side): Polyester UL94V-0,UV Resistant -Mating Lock Nut: Polyester , UL94V-0,UV Resistant RJ45 Jack and Plug Contacts: Phosphor Bronze, Gold Plated Cable Termination: Flame Protection per UL94V-0,UV Resistant
<b>Waterproof Rating</b>	IP67
<b>Temperature Range</b>	Receptacle: -40 °C~105 °C Overmolded with Cable: -20 °C~80 °C
<b>Contact Resistance</b>	≤ 20mΩ
<b>Insulation Resistance</b>	≥ 500mΩ at DC500V
<b>Durability</b>	750 cycles
<b>Breakdown Voltage</b>	≥ AC1000V / 1 minute
<b>More to know</b>	Thermal shock: -20°C~80°C 5cycls Salt Spray Corrosion: 48H POE: 60W /2A Standard Cable Length: 01-99M

# Ordering Information

	<b>1</b>	<b>2</b>	<b>3</b>	<b>4</b>	<b>5</b>	<b>6</b>	<b>7</b>	<b>8</b>	<b>9</b>	<b>10</b>
<b>Specification</b>										
<b>(RCP)</b> RJ45 C Size (Plastic)										
<b>(RCM)</b> RJ45 C Size (Metal)										
<b>(RDP)</b> RJ45 D Size (Plastic)										
<b>(RDM)</b> RJ45 D Size (Metal)										
<b>(ROP)</b> RJ45 ODVA (Plastic)										
<b>Cat Type &amp; Shielded</b>										
<b>(00)</b> None <b>(5S)</b> Cat.5e shielded										
<b>(5U)</b> Cat.5e Unshielded										
<b>Connector Body (Style)</b>										
<u>&gt; For Receptacle</u> <u>&gt; For Overmolded with Cable</u>										
<b>(P)</b> Front Fastened <b>(A)</b> With Strain Relief										
<b>(R)</b> Rear Fastened <b>(B)</b> Without Strain Relief										
<b>(D)</b> Dual Fastened <u>&gt; For Field Installable</u>										
<b>(A)</b> With Strain Relief										
<b>(B)</b> Without Strain Relief										
<b>Connector (Housing) Gender</b>										
<b>(MM)</b> Plug <b>(FF)</b> Jack										
<b>Assemble Style</b>										
<u>&gt; For Receptacle</u> <u>&gt; For Overmolded with Cable</u>										
<b>(H)</b> Jack 180 (Horizontal) <b>(M)</b> Overmolded with Cable										
<b>(V)</b> Jack 90 (Vertical) <u>&gt; For Field Installable</u>										
<b>(A)</b> Field installable (Compled)										
<b>(S)</b> Field installable (Feed-Thru)										
<b>Mating Style</b>										
<b>(T)</b> 3 Points Lock Bayonet <b>(S)</b> Screw Thread										
<b>Backshell</b>										
<u>&gt; For Receptacle</u> <u>&gt; For Overmolded with Cable</u> <u>&gt; For Field Installable</u>										
<b>(C)</b> Circular <b>(L)</b> Straight <b>(L)</b> Straight										
<b>(S)</b> Square <b>(R)</b> Right Angle										
<b>Waterproof Types</b>										
<b>(U)</b> Unmated Waterproof <b>(M)</b> Mated Waterproof										
<b>Waterproof Rating</b>										
<b>(7)</b> IP 67 *IP 68 upon request.										
<b>More information</b>										
<u>&gt; For Receptacle</u> <u>&gt; For Overmolded with Cable</u>										
<b>(001), (002).....</b> <b>(□)+(■)</b> : Cable Type + Cable Length										
<b>(□)</b> : Cable Type <b>(■)</b> : Cable Length										
<b>(A)</b> C5e UTP Solid Cable From 1M to 99M										
<b>(B)</b> C5e FTP Solid Cable EX. <b>(01)</b> = 1M										

\* Design and specification are subject to change without notice.

# Ordering Information | Double-ended

**ALTW waterproof connector to ALTW waterproof connector**

**ALTW waterproof connector to Standard RJ connector (None Waterproof)**

f to Waterproof / Non-Waterproof



**Specification (1st End)**

- (RCP) RJ45 C Size (Plastic)
- (RCM) RJ45 C Size (Metal)
- (RDP) RJ45 D Size (Plastic)
- (RDM) RJ45 D Size (Metal)
- (ROP) RJ45 ODVA (Plastic)

**Cat Type & Shielded (1st End)**

- (5U) Cat.5e Unshielded
- (5S) Cat.5e Shielded

**Connector (Housing) Gender (1st End)**

- (M) Plug
- (F) Jack

**Specification (2nd End)**

- |   |  |
|---|--|
| <p>&gt; For Waterproof Connectors</p> <ul style="list-style-type: none"> <li>(RCP) RJ45 C Size (Plastic)</li> <li>(RCM) RJ45 C Size (Metal)</li> <li>(RDP) RJ45 D Size (Plastic)</li> <li>(RDM) RJ45 D Size (Metal)</li> <li>(ROP) RJ45 ODVA (Plastic)</li> </ul> | <p>&gt; For Non-Waterproof Plug</p> <ul style="list-style-type: none"> <li>(UPG) Unshielded Plug</li> <li>(SPG) Shielded Plug</li> </ul> |
|---|--|

**Cat Type & Shielded (2nd End)**

- |  |   |
|--|---|
| <p>&gt; For Waterproof Connectors</p> <ul style="list-style-type: none"> <li>(5U) Cat.5e Unshielded</li> <li>(5S) Cat.5e Unshielded</li> </ul> | <p>&gt; For Non-Waterproof Plug</p> <ul style="list-style-type: none"> <li>(06) Gold Plating 6u"</li> </ul> |
|--|---|

**Connector (Housing) Gender (2nd End)**

- (M) Plug

**Mating Style**

- (T) 3 Points Lock Bayonet
- (S) Screw Thread

**Backshell**

- > For Overmolded with Cable
- (L) Straight
  - (R) Right Angle

**More information**

> For Overmolded with Cable

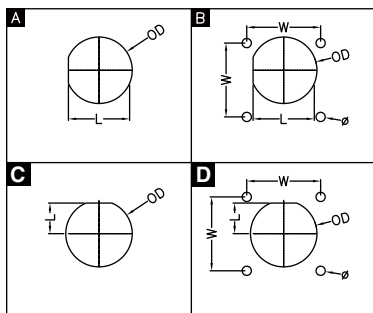
(□)+(■) : Cable Type + Cable Length

- |                         |                    |
|-------------------------|--------------------|
| (□) : Cable Type        | (■) : Cable Length |
| (A) C5e UTP Solid Cable | From 1M to 99M     |
| (B) C5e FTP Solid Cable | EX. (01) = 1M      |

# Physical Dimension

## Receptacle

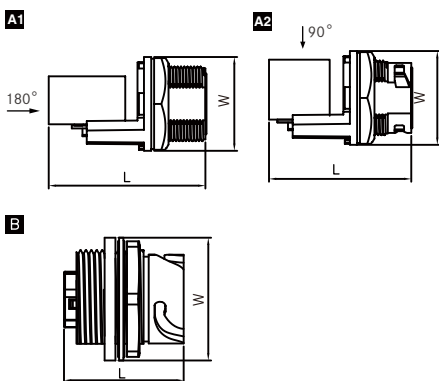
Panel Cut-Out



Type \ Dimension	Type	L / W	OD	∅
Connector Gender (Housing)	Female			
Middle Size (13/16"-28 UNS)	A	19.4	20.8	-
	B	19.4/24.4	20.8	3.1
Large Size (1"20 UNEF)	A	23.6	25.6	-
	B	23.6/24.4	25.6	3.1
ODVA	C	12.4	27.1	-
	D	12.4/25.9	27.1	M3.0*0.5

Dimensions are shown in millimeters

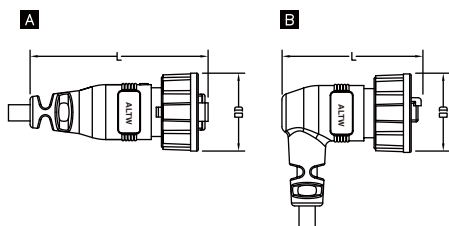
Connector Dimension



Type \ Dimension	Type	Shape	L	W
Connector Gender (Housing)	Female			
Middle Size (13/16"-28 UNS)	A1	Circle	44.0	26.0
		Square	44.0	32.0
	A2	Circle	39.9	26.0
		Square	39.9	32.0
Large Size (1"20 UNEF)	A1	Circle	44.0	32.0
		Square	44.0	
	A2	Circle	39.9	32.0
		Square	39.9	
ODVA	B	Circle	33.2	34.0
		Square	33.2	36.0

\* Choose backshell: Circular (C) or Square Flange (S) | Dimensions are shown in millimeters

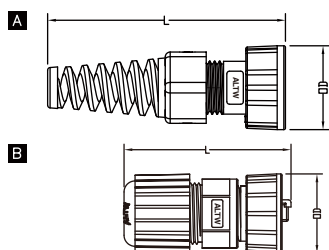
## Overmolded with Cable



Type \ Dimension	Type	L		OD	
Connector Gender (Housing)		Female	Male	Female	Male
Middle Size (13/16"-28 UNS)	A	-	58.0	-	25.4
	B	-	45.0	-	25.4
Large Size (1"20 UNEF)	A	-	73.6	-	28.8
	B	-	53.4	-	28.8
ODVA	A	-	79.3	-	31.5

Dimensions are shown in millimeters

## Field Installable



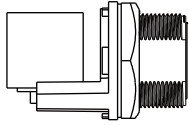
Type \ Dimension	Type	L		OD	
Connector Gender (Housing)		Female	Male	Female	Male
Middle Size (13/16"-28 UNS)	A	-	72.0	-	25.4
	B	-	40.7	-	25.4
Large Size (1"20 UNEF)	A	-	76.7	-	25.4
	B	-	59.7	-	32.0
ODVA	A	-	77.6	-	31.5

Dimensions are shown in millimeters

\* Design and specification are subject to change without notice.

# Product Features

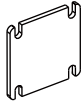
## Receptacle



### Backshell <sup>7</sup>

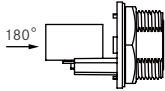


Circular (C)

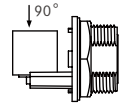


Square (S)

### Assembly Style <sup>5</sup>



Jack 180  
(Horizontal) (H)



Jack 90 (Vertical) (V)

### Mating Style <sup>6</sup>

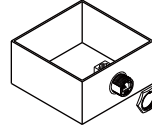


Screw Thread (S)

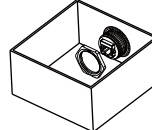


3 Points Lock (T)

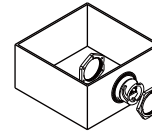
### Connector Body (Style) <sup>3</sup>



Front Fastened (P)

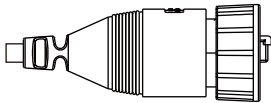


Rear Fastened (R)  
(For ODVA only)

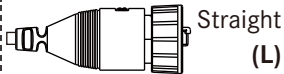


Double Fastened (D)  
(For ODVA only)

## Overmolded with Cable



### Backshell <sup>7</sup>



Straight  
(L)



Right Angle  
(R)

### Mating Style <sup>6</sup>

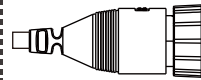


Screw Thread (S)



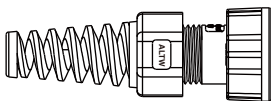
3 Points Lock (T)

### Connector Body (Style) <sup>3</sup>

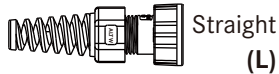


With Strain Relief (A)

## Field Installable



### Backshell <sup>7</sup>



Straight  
(L)

### Mating Style <sup>6</sup>

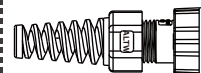


Screw Thread (S)



3 Points Lock (T)

### Connector Body (Style) <sup>3</sup>



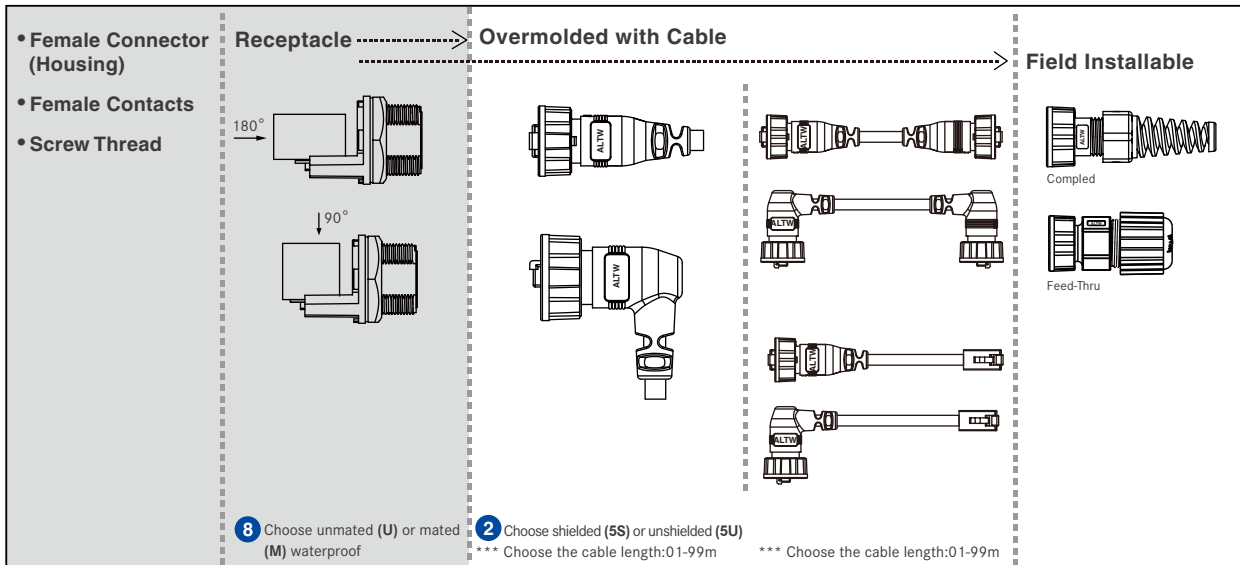
With Strain Relief (A)

\* Refer to P8-4 for Ordering Information



# Find Our Standard Products

## ▾ Middle Size 13/16"-28 UNS > Receptacle and Mating Pair



Cat. 5e		Female Connector (F) Female Contacts (F)	Male Connector (M) Male Contacts (M)	Male Connector (M) Male Contacts (M)	Male Connector (M) Male Contacts (M)
Plastic	Jack 180	RCP-5SPFFH-SC 8 7001 RCP-5SPFFH-SS 8 7001	RCP-5 2 AMMM-SLM7*** RCP-5 2 AMMM-SRM7***	RCP5UM-RCP5UM-SL*** RCP5UM-RCP5UM-SR***	RCP-00AMMA-SLM7001 RCP-00BMMS-SLM7001
	Jack 90	RCP-5SPFFV-SC 8 7001 RCP-5SPFFV-SS 8 7001		RCP5UM-UPG06M-SL*** RCP5UM-UPG06M-SR***	
Metal	Jack 180	RCM-5SPFFH-SC 8 7001 RCM-5SPFFH-SS 8 7001	RCM-5 2 AMMM-SLM7*** RCM-5 2 AMMM-SRM7***	-	-
	Jack 90	RCM-5SPFFV-SC 8 7001 RCM-5SPFFV-SS 8 7001			

\*Refer to P8-5 for ordering.

\* Design and specification are subject to change without notice.

**Middle Size 13-16"-28UNS**

Receptacle and Mating Pair  
3 Points Lock Bayonet

Receptacle | Unmated & Mated  
Overmolded with Cable | Mated  
Field Installable | Mated

▾ **Middle Size 13/16"-28 UNS > Receptacle and Mating Pair**

<ul style="list-style-type: none"> <li>• Female Connector (Housing)</li> <li>• Female Contacts</li> <li>• 3 Points Lock Bayonet</li> </ul>		<p><b>Receptacle</b> →</p>	<p>→ <b>Overmolded with Cable</b></p>	<p>→ <b>Field Installable</b></p>	
<p><b>8</b> Choose unmated (U) or mated (M) waterproof</p>		<p><b>2</b> Choose shielded (5S) or unshielded (5U) *** Choose the cable length:01-99m</p>	<p>*** Choose the cable length:01-99m</p>		
Cat. 5e	Female Connector (F) Female Contacts (F)	Male Connector (M) Male Contacts (M)	Male Connector (M) Male Contacts (M)	Male Connector (M) Male Contacts (M)	
Plastic	Jack 180	RCP-5SPFFH-TC <b>8</b> 7001 RCP-5SPFFH-TS <b>8</b> 7001	RCP-5 <b>2</b> AMMM-TLM7***	RCP5UM-RCP5UM-TL*** RCP5UM-RCP5UM-TR***	RCP-00AMMA-TLM7001 RCP-00BMMS-TLM7001
	Jack 90	RCP-5SPFFV-TC <b>8</b> 7001 RCP-5SPFFV-TS <b>8</b> 7001	RCP-5 <b>2</b> AMMM-TRM7***	RCP5UM-UPG06M-TL*** RCP5UM-UPG06M-TR***	

\*Refer to P8-5 for ordering information.

Large Size 1"-20 UNEF > Receptacle and Mating Pair

<ul style="list-style-type: none"> <li>Female Connector (Housing)</li> <li>Female Contacts</li> <li>Screw Thread</li> </ul>		<p>Receptacle</p>	<p>Overmolded with Cable</p>		<p>Field Installable</p>
<p>8 Choose unmated (U) or mated (M) waterproof</p>		<p>2 Choose shielded (5S) or unshielded (5U) *** Choose the cable length:01-99m</p>		<p>*** Choose the cable length:01-99m</p>	
Cat. 5e	Female Connector (F) Female Contacts (F)	Male Connector (M) Male Contacts (M)	Male Connector (M) Male Contacts (M)	Male Connector (M) Male Contacts (M)	
Plastic	Jack 180	RDP-5SPFFH-SC 8 7001 RDP-5SPFFH-SS 8 7001	RDP-5 2 AMMM-SLM7*** RDP-5 2 AMMM-SRM7***	RDP5UM-RDP5UM-SL*** RDP5UM-RDP5UM-SR***	RDP-00AMMA-SLM7001 RDP-00BMMS-SLM7001
	Jack 90	RDP-5SPFFV-SC 8 7001 RDP-5SPFFV-SS 8 7001		RDP5UM-UPG06M-SL*** RDP5UM-UPG06M-SR***	
Metal	Jack 180	RDM-5SPFFH-SC 8 7001 RDM-5SPFFH-SS 8 7001	RDM-5 2 AMMM-SLM7*** RDM-5 2 AMMM-SRM7***	-	-
	Jack 90	RDM-5SPFFV-SC 8 7001 RDM-5SPFFV-SS 8 7001			

\*Refer to P8-5 for ordering information.

\* Design and specification are subject to change without notice.

**Large Size 1"-20 UNEF**

Receptacle and Mating Pair  
3 Points Lock Bayonet

**IP 67** 9

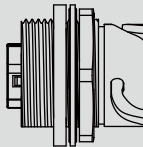
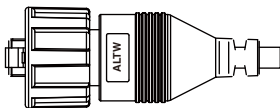
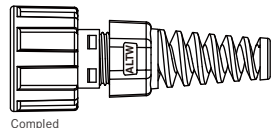
Receptacle | Unmated & Mated  
Overmolded with Cable | Mated  
Field Installable | Mated

↘ **Large Size 1"-20 UNEF > Receptacle and Mating Pair**

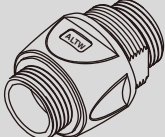

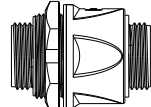
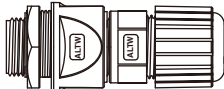

<ul style="list-style-type: none"> <li>• Female Connector (Housing)</li> <li>• Female Contacts</li> <li>• 3 Points Lock Bayonet</li> </ul>		Receptacle	Overmolded with Cable		Field Installable
		<b>8</b> Choose unmated (U) or mated (M) waterproof	<b>2</b> Choose shielded (5S) or unshielded (5U) *** Choose the cable length: 01-99m	*** Choose the cable length: 01-99m	<b>5</b> Choose Completed (A) or Feed-Thru (S)
Cat. 5e	Female Connector (F) Female Contacts (F)	Male Connector (M) Male Contacts (M)	Male Connector (M) Male Contacts (M)	Male Connector (M) Male Contacts (M)	
Plastic	Jack 180	RDP-5SPFFH-TC <b>8</b> 7001 RDP-5SPFFH-TS <b>8</b> 7001	RDP-5 <b>2</b> AMMM-TLM7*** RDP-5 <b>2</b> AMMM-TRM7***	RDP5UM-RDP5UM-TL*** RDP5UM-RDP5UM-TR***	RDP-00AMM <b>5</b> -TLM7001 RDP-00BMMS-TLM7001
	Jack 90	RDP-5SPFFV-TC <b>8</b> 7001 RDP-5SPFFV-TS <b>8</b> 7001		RDP5UM-UPG06M-TL*** RDP5UM-UPG06M-TR***	

\*Refer to P8-5 for ordering information.

### ODVA > Receptacle and Mating Pair

<ul style="list-style-type: none"> <li>• Female Connector</li> <li>• Female Contacts</li> <li>• 3 Points Lock Bayonet</li> <li>• ODVA</li> </ul>	<p>Receptacle</p>  <p>3 Choose the Back shell position: Front (P) or Rear (R) or Double (D) Mounting</p> <p>8 Choose unmated (U) or mated (M) waterproof</p>	<p>Overmolded with Cable</p>  <p>*** Choose the cable length:01-99m</p>	<p>Field Installable</p>  <p>Completed</p>
	<p>ODVA (ROP)</p> <p>Female Connector (F) Female Contacts (F)</p>	<p>Male Connector (M) Male Contacts (M)</p>	<p>Male Connector (M) Male Contacts (M)</p>
<p>Jack 180°</p>	<p>ROP-5S 3 FFH-TC 8 7001</p> <p>ROP-5S 3 FFH-TS 8 7001</p>	<p>ROP-5SAMMM-TLM7***</p>	<p>ROP-00AMMA-TLM7001</p>

### I Adaptor

<ul style="list-style-type: none"> <li>• Shielded RJ45</li> <li>• Front Fastened</li> <li>• Screw Thread</li> <li>• Backshell: Circular</li> <li>• Panel Thickness Max: 3.5mm</li> <li>• IP 67</li> </ul>   <p>Upon request</p>		 <p>* Field Installable with cap available (Upon Request)</p>	
	<p>Type 1 Receptacle</p>	<p>Type 2 Field Installable</p>	<p>Type 3 Field Installable (In-line)</p>
	<p>RDP-00PFFH-SCU7001</p>	<p>RDP-00DFFA-SLM7001</p>	<p>RDP-00BFFA-SLM7001</p>

\* Design and specification are subject to change without notice.

**Amphenol LTW Technology Co., Ltd. (Headquarter)**

9F., No.657-12, Zhongzheng Rd., Xinzhuang Dist., New Taipei City 242, Taiwan  
Telephone: +886-2-29085626 Fax: +886-2-29029787  
www.amphenolltw.com

**Shulin plant, Taiwan**

No.10, Shutan St., Shulin Dist., New Taipei City 238, Taiwan

**Kunshan plant, China**

No. 62 Da Tung Road, Peng Lang Street, Kunshan City , Jiangsu Province, China  
Telephone: +86-512-5761-0501  
Fax: : +86-512-5761-0515

**For further information, please contact :**

Sales & Marketing Department | Email : sales@ltw-tech.com



Scan to visit our website