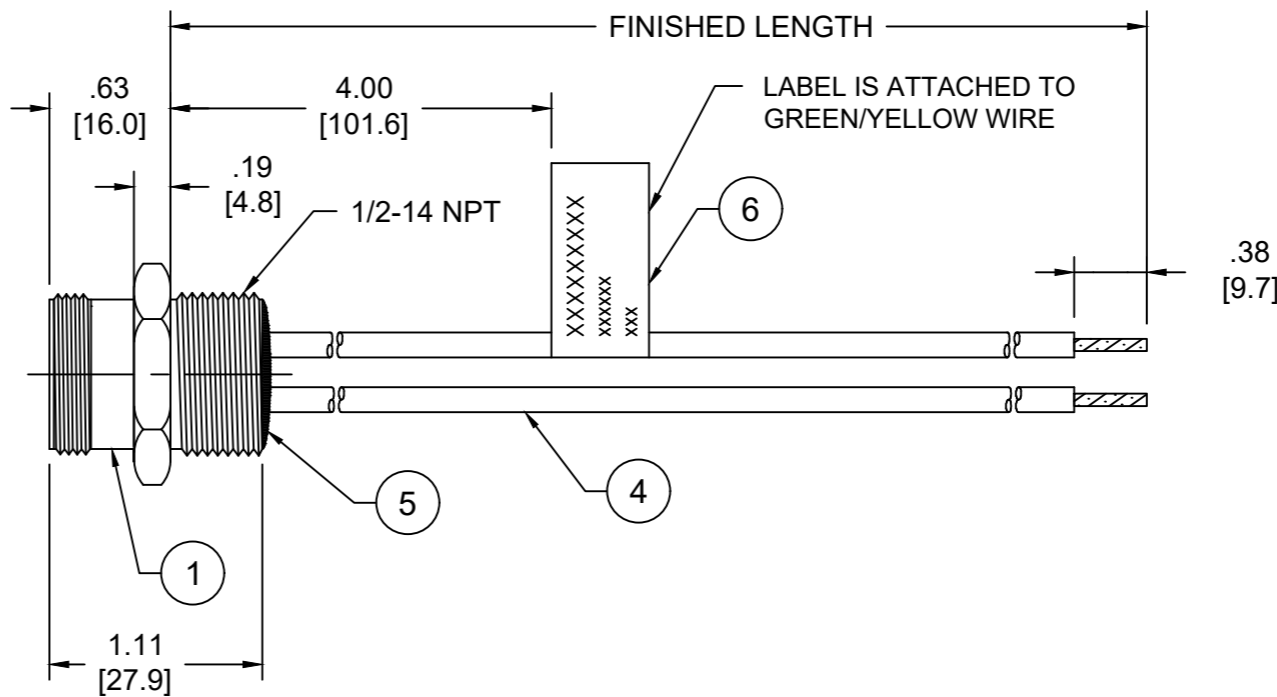
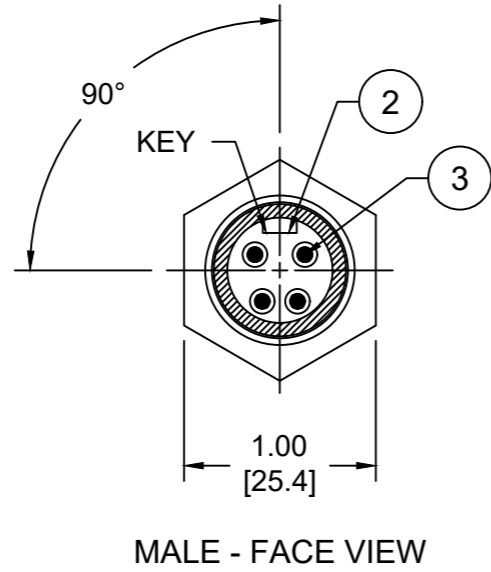
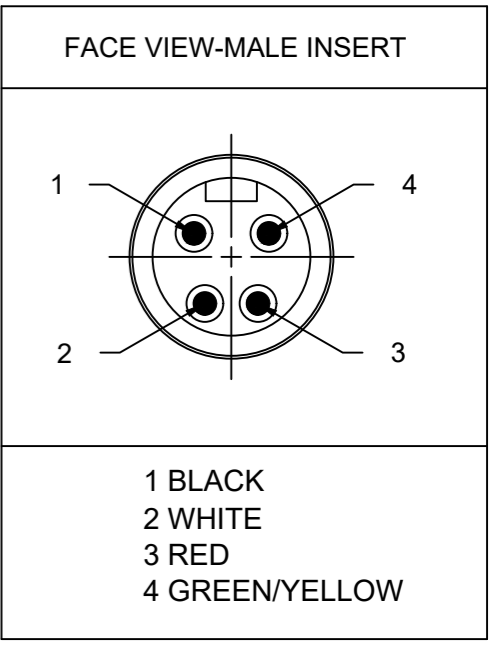
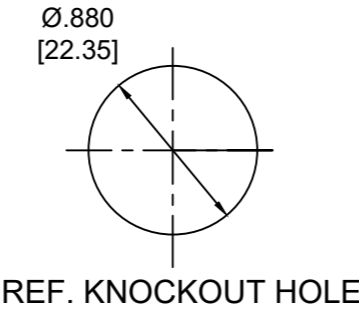


PART NO	ENGINEERING NO.	FINISHED LENGTH
1300130372	1R4006A28A060G	6IN [0.5 FT]
1300660088	1R4006A28F060G	6FT [1M 32 IN]
1300660095	1R4006A28M050G	5M [16 FT 5 IN]



NOTES:

- MATERIAL: AS NOTED
- FINISH: AS NOTED
- ELECTRICAL:
VOLTAGE: 483V PER IEC60664
600V PER UL2237
CURRENT: 15A
- TEMP RATING: -20°TO +105°C (C)
- PROTECTION: IP67 (WHEN MATED)
- COUPLING THREAD: 7/8-16UN
- UL LISTED FILE: E258922
- ALL DIMENSIONS ARE FOR REFERENCE
UNLESS TOLERANCED OR NOTED OTHERWISE



PART NO. MATRIX
1R4006A28A060G

FINISHED LENGTH:
A060= 6 IN.
F020= 2 FEET
M005= 1 METER
M100= 10 METER

CABLE LENGTH TOLERANCES

<.3M [1FT]:	+19mm-0 [+1.75in-0]
.3 - .9M [1 - 3FT]:	+44.5mm-0 [+1.75in-0]
.9 - 1.8M [3 - 6FT]:	+55.6mm-0 [+2.19in-0]
1.8 - 3.7M [6 - 12FT]:	+88.9mm-0 [+3.50in-0]
3.7 - 7.3M [12 - 24FT]:	+165.1mm-0 [+6.50in-0]
7.3-14.6M [24 - 48FT]:	+317.5mm-0 [+12.50in-0]
14.6 - 30.5M [48-100FT]:	+622.3mm-0 [+24.50in-0]
OVER 30M [100FT]	+2% OF FINISHED LENGTH

ITEM	DESCRIPTION	MATERIAL	FINISH
6	FLAG LABEL	VINYL	BLACK/YELLOW
5	POTTING MATERIAL	EPOXY	
4	WIRE, 14 AWG (UL1015)	PVC INSULATION	SEE FACE VIEW
3	CONTACT PIN	COPPER ALLOY	GOLD OVER NICKEL
2	MALE INSERT	TPE	BLACK
1	RECEPTACLE SHELL	ZINC DIE-CAST	BLACK

FUNCTIONAL SYMBOLS F=0 E=0 P=0	THIS DRAWING CONTAINS INFORMATION THAT IS PROPRIETARY TO MOLEX ELECTRONIC TECHNOLOGIES, LLC AND SHOULD NOT BE USED WITHOUT WRITTEN PERMISSION		CURRENT REV DESC: ITEM #2 WAS PVC. MODIFIED TEMP RATING & PN CHART	
	DIMENSION UNITS	SCALE	EC NO: 669893	
	INCH/MM	NTS	DRWN: ABENJAMINLW	2021/04/20
	GENERAL TOLERANCES (UNLESS SPECIFIED)		CHK'D: RSTONE	2021/07/12
DIVISIONAL SYMBOLS	mm	INCH	APPR: BWOODMAN	2021/07/14
4 PLACES	±----	±----	INITIAL REVISION:	
3 PLACES	±----	±----	DRWN: RSTONE	2017/01/11
2 PLACES	±----	±----	APPR: BWOODMAN	2017/01/26
1 PLACE	±----	±----	ANGULAR TOL ± ---- °	
0 PLACES	±----	±----	DRAFT WHERE APPLICABLE MUST REMAIN WITHIN DIMENSIONS	
THIRD ANGLE PROJECTION		DRAWING	SERIES	MATERIAL NUMBER
B-SIZE		130066	SEE CHART	CUSTOMER
GENERAL MARKET		SHEET NUMBER		1 OF 1

molex

MINI-CHANGE RECEPTACLE A-SIZE
4 POLE, MALE, STRAIGHT, SINGLE KEY, 14 AWG

PRODUCT CUSTOMER DRAWING