

6

5

4

3

2

1

APPROVED: _____

DATE: _____ TITLE: _____

| | | | | |
|-----|-------|-------------|----------|------|
| Rev | AWO # | Description | Date | Appr |
| - | | RELEASED | 11/12/18 | |

D

D

C

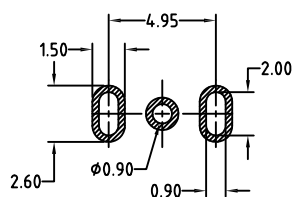
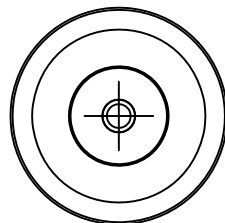
C

B

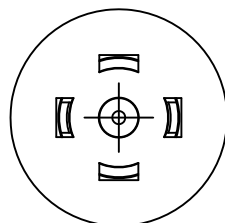
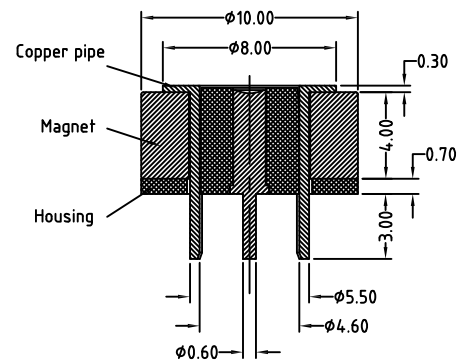
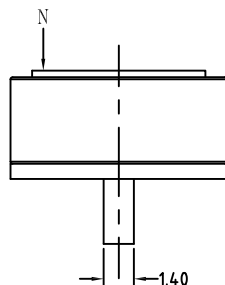
B

A

A



RECOMMENDED PCB LAYOUT



Mating with: CA-RA2-PHR-34113-M-WT
CA-ST2-PHR-202-M

SPECIFICATIONS:

Material:
 Insulator: Hi-Temp Thermoplastic, rated UL 94V-0
 Insulator color: Black
 Pin: Brass, 10u" Gold plated over Nickel
 Copper pipe: Brass, Nickel plated
 Magnet: NdFeB
 Electrical:
 Rated Current & Voltage: 24VDC, 5A max
 Contact resistance: 50 mohms max
 Environmental:
 Lead free, RoHS compliant.



| | | | | | |
|---|-----------------------|---|-----|--|--|
| UNLESS OTHERWISE SPECIFIED ALL DIMENSIONS ARE MILLIMETERS TOLERANCES: EXCEPT AS NOTED | | ADAM TECH | | 909 Rahway Avenue, Union, NJ 07083 | |
| Millimeters | | INTERCONNECTS | | Phone: 908-687-5000 Fax: 908-687-5710 | |
| 0~6 | ± 0.05 | TITLE | | | |
| 6~30 | ± 0.10 | POGO PIN CHARGING DOCKING, FEMALE, STRAIGHT | | | |
| 30~150 | ± 0.15 | DATE | | | |
| ANGLE ± 1° | | APPROVALS | | | |
| DRAWN | HR | DATE | | | |
| CHECKED | CK | DATE | | | |
| APPROVED | | DATE | | | |
| SIZE | PART NO. | REV. | | | |
| X | PHR-C4777-02A-FVP-800 | - | | | |
| REF: | S00170C | SCALE: | NTS | SHEET 1 OF 1 | |

6

5

4

3

2

1