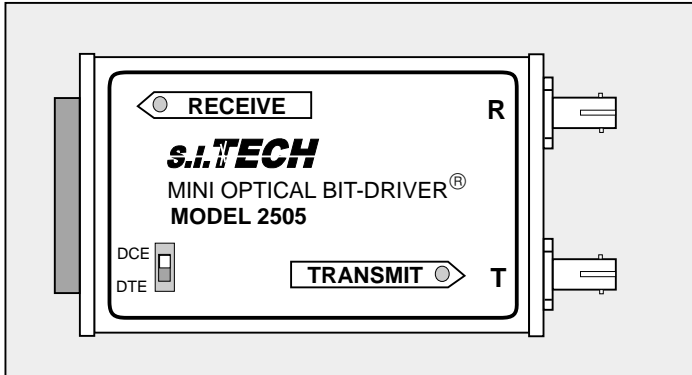


Optical Asynchronous Mini Bit-Driver®



Features:

- 0 to 115 Kbps asynchronous operation on fiber optic cable, simplex or full duplex operation
- 6600 ft. (2 Km) distance capability (5 km option)
- 0 °C to + 50 °C operating range
- ST connector receptacle (SMA option)
- DTE or DCE switch selectable

RS - 232 CONNECTOR PINS UTILIZED BY 2505 MINI BIT - DRIVER (MALE OR FEMALE)

Pin No.	Description	Symbol	DTE DCE
1	Protective Ground	Chassis Ground	↔
2	Transmitted Data	TXD	→
3	Received Data	RXD	←
4*	Request to Send	RTS	→
5*	Clear to Send	CTS	←
6**	Data Set Ready	DSR	←
7	Signal Ground	Sig. Gnd.	↔
8**	Data Carrier Detect	DCD	←
9	Positive 12 VDC Input	+ 12V	→
20**	Data Terminal Ready	DTR	→

* Pins 4 & 5 tied together

** Pins 6, 8, and 20 tied together

Operation Mode: Asynchronous, simplex or full duplex

Input/Output Interface: RS-232-C, Type D, asynchronous at 0 to 115 Kbps, connects directly to terminal (RS-232 cable not required)

Transmission Line Interface: ST connector is standard for interfacing with fiber optic duplex cable (SMA option)

Transmission Distance: 6600 ft (2Km), (5Km option)

Transmission Enabled by RTS: RTS/CTS delay 0 ms

Optical Power into a 50 Micron

Core Optical Fiber: 0.5 microwatt, 15 dB power budget @ 880 nanometers

Receiver Sensitivity: 0.5 nanowatts at less than 10^{-9} bit error rate

Operating Temperature: 0 °C to 50 °C

Metal Enclosure: 1.75 x 3 x 0.625 in (4.5 x 7.5 x 1.6 cm)
Panel or DIN rail mounting option

Weight: 0.25 lb (100 grams)

Input Power: External power supply (S.I.Tech #2121 - 110 VAC to 12 VDC)

230V Version: Use S.I.Tech 2122 power supply

OPERATING DISTANCE FOR FIBER OPTIC CABLE

Fiber Size (Microns)	Attenuation dB/Km	Distance Meters*	Distance Feet*
50	3.0	2000	6600
62.5	4.0	2000	6600
100	5.0	2000	6600

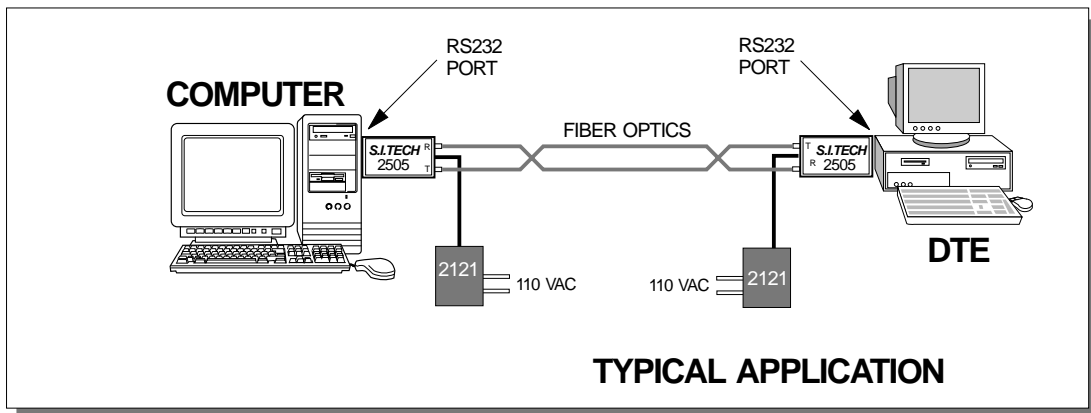
* High power option available

Meets FCC requirements of Class A, Part 15 Computing Devices Standard.

Specifications subject to change without notice.



Optical unit connection: Connect the optical transmission line to the T and R receptacles. Note which cable channel goes to T or R by noting cable imprint. On the other end, reverse the connection.



TYPICAL APPLICATION