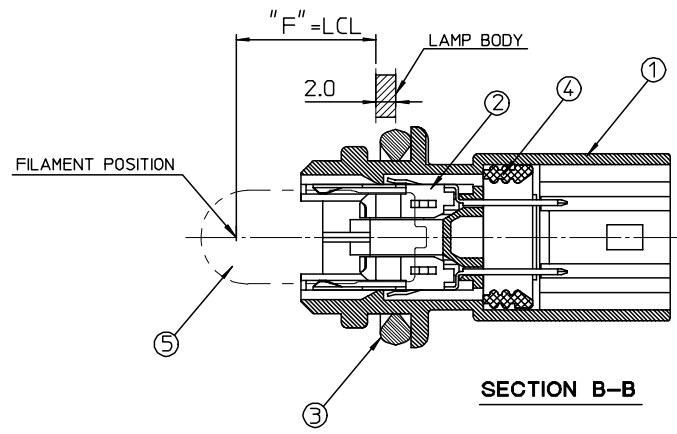


SECTION A-A



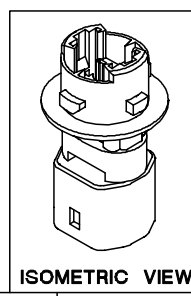
SECTION B-B

<NOTE>

- 1. ASSEMBLY PART NO. : 35340-0210
- 2. MATERIAL

NO.	PART NAME	PART NO.	MATERIAL	REMARK	Q'TY
1	SOCKET PLUG	35340-0290	POLYAMIDE(PA66)	GRAY	1
2	TERMINAL	35075-6100	COPPER ALLOY	-	2
3	O-RING	35903-0013	SILICONE	GRAY	1
4	INNER SEAL	35903-0011	SILICONE	RED	1
5	BULB	-	-	12V, 5W/18W	1

- 3. "F" DIMENSION:  
ECE SPECIFICATION: 11.7mm  
KS: 13.3mm



ISOMETRIC VIEW

CHANGED OF MATERIAL  
EC NO: KOR2008-0070  
DRW: EOKIM 2007/10/01  
CHKD: BCY00N 2007/10/01  
APPR: YUNSIKKIM 2007/10/02

QUALITY SYMBOLS  
▽=0  
△=0

GENERAL TOLERANCES (UNLESS SPECIFIED)

	mm	INCH
4 PLACES	± ---	± ---
3 PLACES	± ---	± ---
2 PLACES	± 0.2	± ---
1 PLACE	± 0.2	± ---
ANGULAR ± 1 °		

DRAFT WHERE APPLICABLE  
MUST REMAIN WITHIN DIMENSIONS

DIMENSION STYLE  
MM ONLY

DRAWN BY: YJKIM DATE: 1996/01/05  
CHECKED BY: YJKIM DATE: 1996/01/05  
APPROVED BY: CWLEE DATE: 1996/01/05

MATERIAL NO. 353400210

SCALE 2:1  
DESIGN UNITS METRIC  
THIRD ANGLE PROJECTION

FSM BULB CONN. HEADER

MOLEX INCORPORATED

DOCUMENT NO. SD-35340-001  
SHEET NO. 1 OF 1

THIS DRAWING CONTAINS INFORMATION THAT IS PROPRIETARY TO MOLEX INCORPORATED AND SHOULD NOT BE USED WITHOUT WRITTEN PERMISSION

