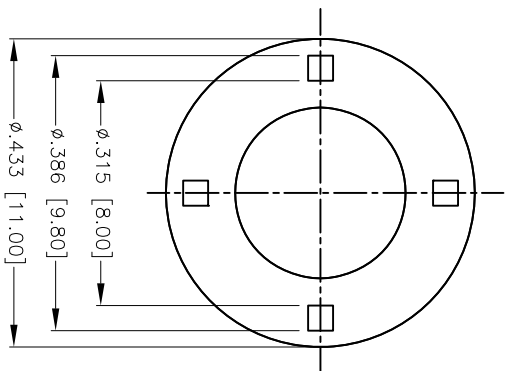
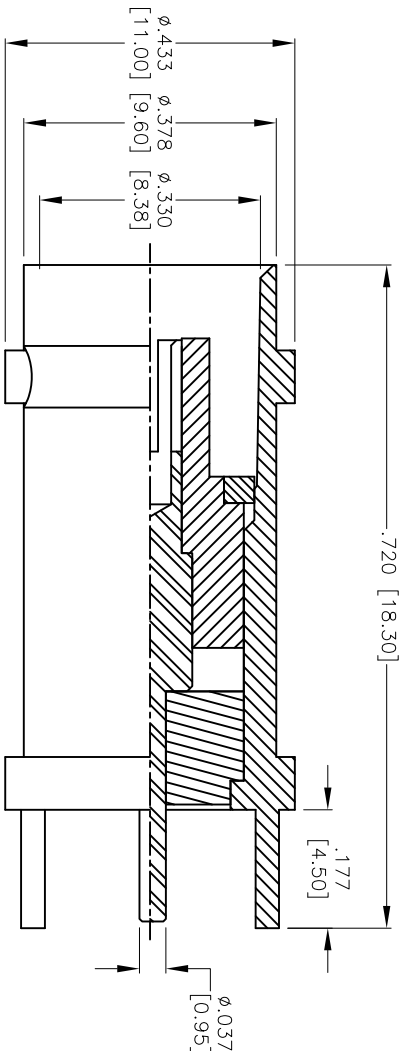


APPROVED: _____
 DATE: _____ TITLE: _____

Rev	AWO #	Description	Date	Appr
-		RELEASED	3/15/07	
A		UPDATE DRAWING	10/22/14	HR/VC



DESCRIPTION	MATERIAL	FINISH
BODY	BRASS	NICKEL
INSULATOR	TEFLON	
CENTER PIN	BRASS	GOLD

ELECTRICAL SPECIFICATIONS:

Impedance: 75 ohms;
 Frequency Range: 0-1 GHz
 Contact Resistance: 3 mohms max. (Center contact)
 2 mohms max. (Outer contact)
 Insulation Resistance: 5,000 Mohms min.
 VSWR: 1.3 max.
ENVIRONMENTAL:
 Lead free, RoHS compliant.



UNLESS OTHERWISE SPECIFIED
 ALL DIMENSIONS ARE MM [INCHES]
 TOLERANCES: EXCEPT AS NOTED
 INCHES

.X	± .10	ØX	± .10
.XX	± .020	ØXXX	± .015
.XXX	± .015	ØXXX	± .010

APPROVALS

DRAWN	BW	DATE	3/15/07
CHECKED			
APPROVED			

ADAM TECH
 909 Rahway Avenue, Union, NJ 07083
 Phone: 908-687-5000 Fax: 908-687-5710

TITLE: BNC CONNECTOR PCB MOUNT, 75 OHM
 SIZE: X PART NO.: RF1-07-1-00-75
 REF: S00049T SCALE: NTS SHEET 1 OF 1
 REV: A

6 5 4 3 2 1